

PRODUCT INFORMATION PACKET

Modal No: 5KC49PN0164X
Catalog No: C1158
1,1725,DP,56,1/60/115/208-230
Open Drip Proof (ODP)



Regal and Marathon are trademarks of Regal Beloit Corporation or one of its affiliated companies.
©2017 Regal Beloit Corporation, All Rights Reserved. MC017097E



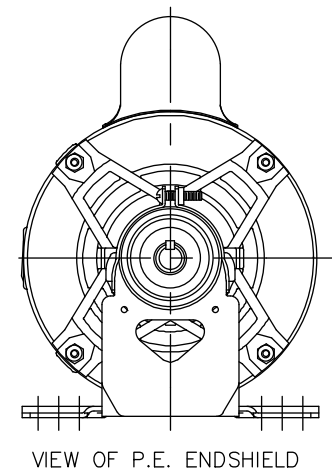
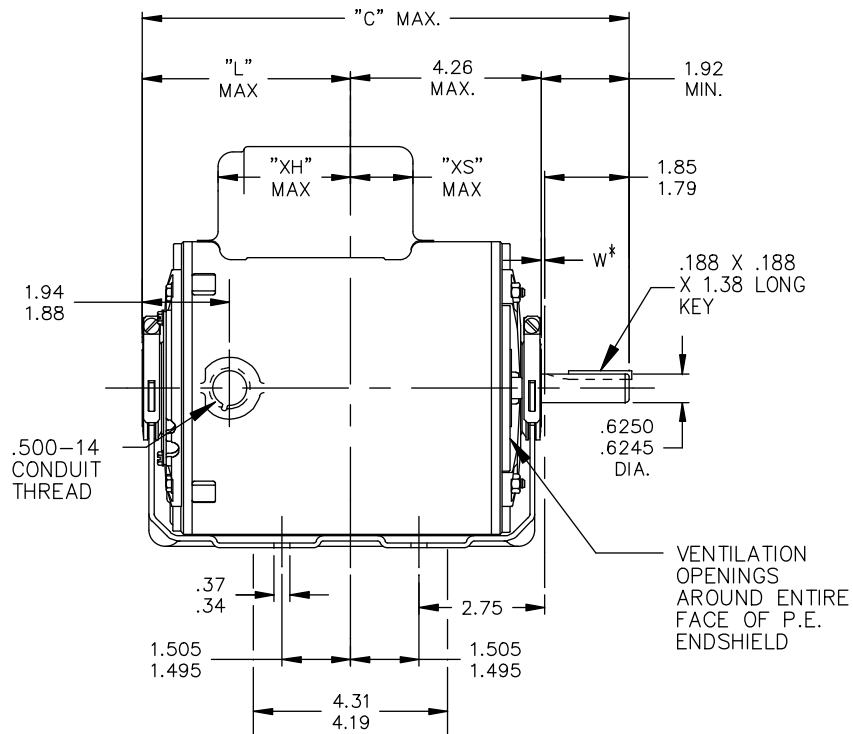
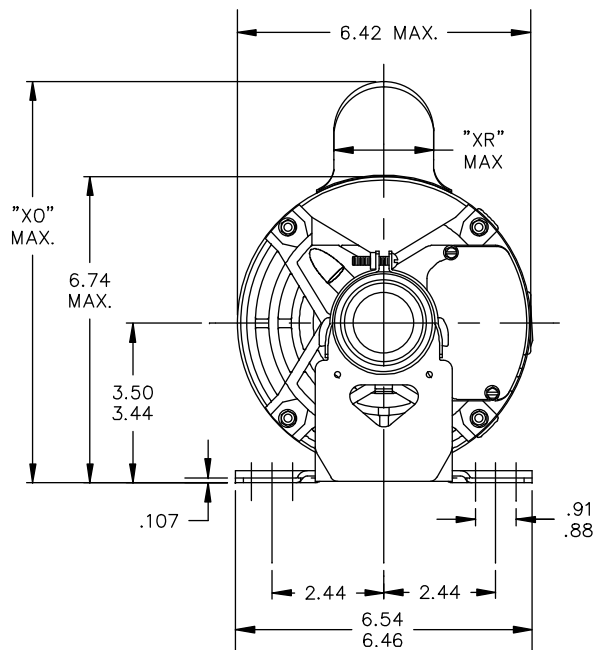
Nameplate Specifications

Output HP	1 Hp	Output KW	0.75 kW
Frequency	60 Hz	Voltage	115/208-230 V
Current	14.7,7.2-7.4 A	Speed	1725 rpm
Service Factor	1.15	Phases	1
Efficiency	70 %	Duty	CONT
Insulation Class	B	KVA Code	K
Frame	56	Enclosure	DP
Overload Protector	AUTO	Ambient Temperature	40 °C
Drive End Bearing Size	6203	Opp Drive End Bearing Size	6203
UL	Recognized	CSA	Yes
CE	N		

Technical Specifications

Electrical Type	Capacitor start(CSIR)	Starting Method	SM
Poles	4	Rotation	CCW/CW
Mounting	RB	Motor Orientation	ANY
Drive End Bearing	BALL	Opp Drive End Bearing	BALL
Frame Material	Rolled Steel	Overall Length	11.38 in
Frame Length	7.15 in	Shaft Diameter	0.63 in
Shaft Extension	1.88 in		

52A107622



VENTILATION OPENINGS AROUND ENTIRE FACE OF P.E. ENDSHIELD

CONTINUED ON 52A107799

*W IS A VARIABLE CLEARANCE DUE TO VARIATIONS IN PARTS AND ASSEMBLY

ALL DIMENSIONS ARE IN INCHES

8	KC	49	56	11.38	5.22	3.63	8.62	2.08	2.12		7.15
7	KC	46	56	10.78	4.62	2.18	8.94	2.40	2.36		6.55
6	KC	49	56	11.38	5.22	3.63	8.22	1.60	2.12		7.15
5	KC	46	56	10.78	4.62	3.03	8.22	1.60	2.73		6.55
4	KC	42	56	9.95	3.79	2.20	8.22	1.60	2.34		5.72
3	KC	49	56	11.38	5.22	3.63	8.94	2.40	2.12		7.15
2	KC	42	56	9.95	3.79	2.20	8.94	2.40	2.34		5.72
1	KC	46	56	10.78	4.62	3.03	8.94	2.40	2.73		6.55
P	TYPE	FR SIZE	NEMA FR.	"C"	"L"	"XH"	"XO"	"XR"	"XS"		MIN. SHELL

TOLERANCES UNLESS SPECIFIED	
DEC.	INCHES
.X	±.1
.XX	±.03



REGAL-BELOIT CORPORATION

DRAWN M.D.P 09/17/90

CHK M.D.P 09/17/90

APPD

SCALE 3=8

REF

FMF

PREV

13 ADDED PART # 8 PER SAMPLE DS13-2295

UD 06/21/13 GRB

.XXX ±.005

TITLE OUTLINE GENERAL PURPOSE MOTOR DRIP PROOF

12 CHG "XS" DIMENSION PER IS08-2395

MD 07/01/08

.XXXX ±.0005

MAT'L.

NO. REVISION

BY & DATE

CHK

ANG ±1/2"

FINISH

3 of 4

