

# PRODUCT INFORMATION PACKET

Modal No: 5KC49SN2158  
Catalog No: C1424  
1.5,3450,TEFC,56C,1/60/115/230  
Totally Enclosed Fan Cooled (TEFC)



Regal and Marathon are trademarks of Regal Beloit Corporation or one of its affiliated companies.  
©2017 Regal Beloit Corporation, All Rights Reserved. MC017097E



## Nameplate Specifications

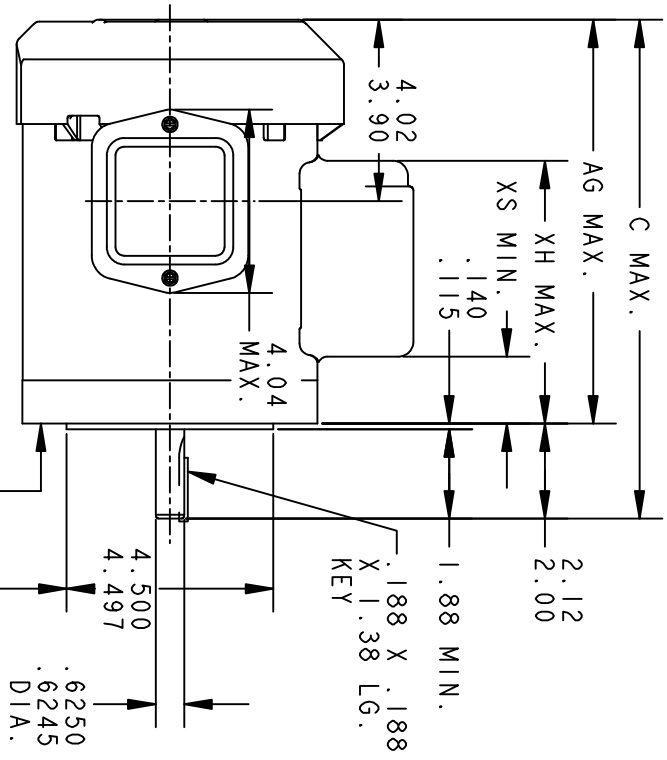
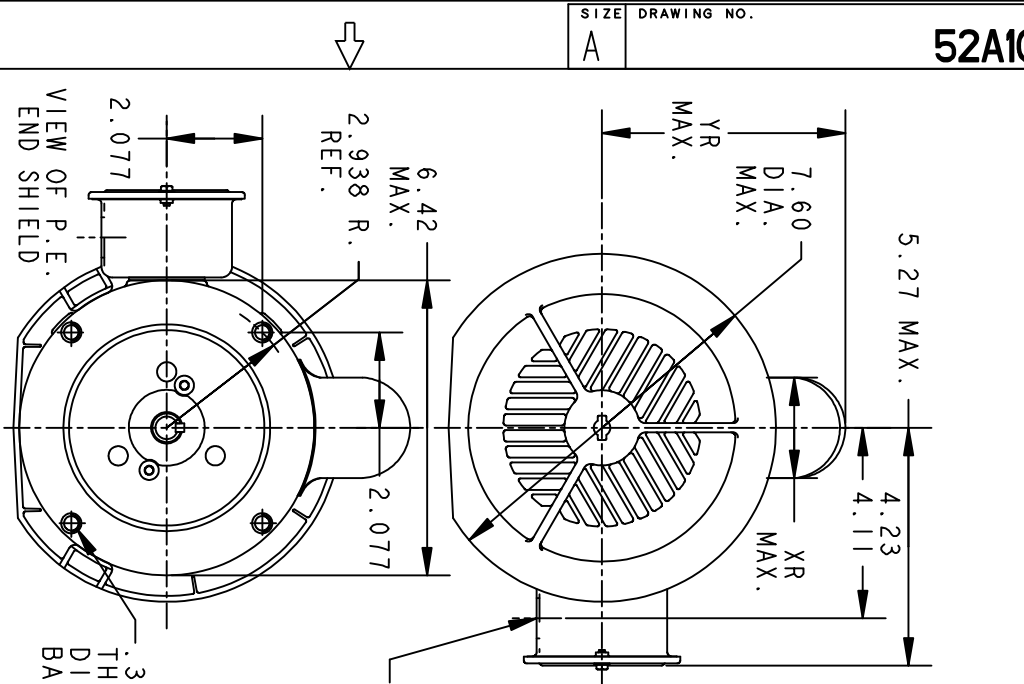
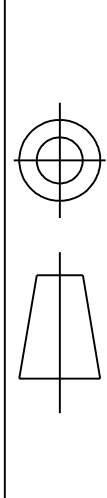
Output HP	<b>1.5 Hp</b>	Output KW	<b>1.12 kW</b>
Frequency	<b>60 Hz</b>	Voltage	<b>115/230 V</b>
Current	<b>16.4,8.2 A</b>	Speed	<b>3450 rpm</b>
Service Factor	<b>1.3</b>	Phases	<b>1</b>
Efficiency	<b>74 %</b>	Duty	<b>CONT</b>
Insulation Class	<b>B</b>	KVA Code	<b>H</b>
Frame	<b>56C</b>	Enclosure	<b>TEFC</b>
Overload Protector	<b>N/R</b>	Ambient Temperature	<b>40 °C</b>
Drive End Bearing Size	<b>6203</b>	Opp Drive End Bearing Size	<b>6203</b>
UL	<b>Recognized</b>	CSA	<b>Yes</b>
CE	<b>N</b>		

## Technical Specifications

Electrical Type	<b>Capacitor start(CSIR)</b>	Starting Method	<b>SM</b>
Poles	<b>2</b>	Rotation	<b>CCW/CW</b>
Mounting	<b>RD</b>	Motor Orientation	<b>ANY</b>
Drive End Bearing	<b>LOCKED</b>	Opp Drive End Bearing	<b>BALL</b>
Frame Material	<b>Rolled Steel</b>	Overall Length	<b>12.93 in</b>
Frame Length	<b>7.68 in</b>	Shaft Diameter	<b>0.63 in</b>
Shaft Extension	<b>1.88 in</b>		

REVISIONS

REV.	DESCRIPTION	DATE	APPROVED
1	ADDED P#2	05/13/94	M.A.M
2	ADDED P#3	08/12/05	GOVARDAN



ECCENTRICITY OF THIS SURFACE (WITH INDICATOR MOUNTED STATIONARY RELATIVE TO SHAFT) MUST NOT EXCEED .004 T.I.R.

FACE RUNOUT (WITH INDICATOR MOUNTED STATIONARY RELATIVE TO SHAFT) MUST NOT EXCEED .004 T.I.R.

375-16 UNC-2B (4 HOLES) .70 MIN. FULL THREAD THESE HOLES FIT A GAGE HAVING A RABBIT 4.5005 DIA. AND 4 PINS .2917 DIA. LOCATED ON THE BASIAC HOLE POSITIONS.

P	TYPE	GE SIZE	NEMA FR.	C	AG	XH	YR	XR	XS	MIN. SHELL
3	KC	48	56C	13.68	11.56	7.65	5.47	2.40	1.90	8.43
2	KC	49	56C	12.93	10.81	7.56	5.45	2.40	1.90	7.68
1	KC	49	56C	12.40	10.28	7.50	5.45	2.40	1.90	7.15

FOR ADDITIONAL INFO REFER TO:		SIGNATURES		DATE	
APPLIED PRACTICES	MODEL				
DIMENSIONS ARE IN INCHES	DETAIL	MA MARKS		05/03/94	
TOLERANCE ON:	CHECKED				
1 PL DECIMALS ± 0.1	ENGRG				
2 PL DECIMALS ± 0.02	MFG				
3 PL DECIMALS ± 0.005	QUALITY				
ANGLES ± 1.0	ISSUED	M.A.M.		05/03/94	
FINISH					

**REGAL-BELOIT CORPORATION**

**OUTLINE**

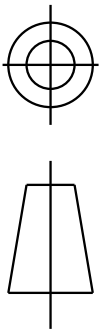
**FMF - 40 FRAME REDESIGN GENERAL PURPOSE MOTOR - TEFC - BALL BEARING - R2 END MOUNTED**

SCALE: 1.000 REF. No. .

SIZE DRAWING A

52A109618

REV 2



REV.  
3

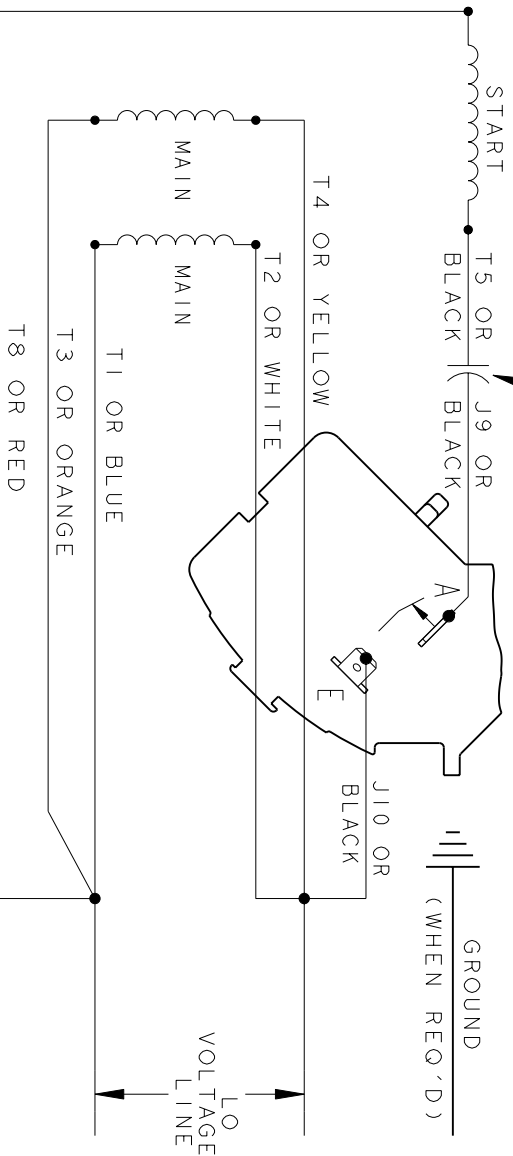
DESCRIPTION  
UPDATED FORMAT

DATE  
01/04/06

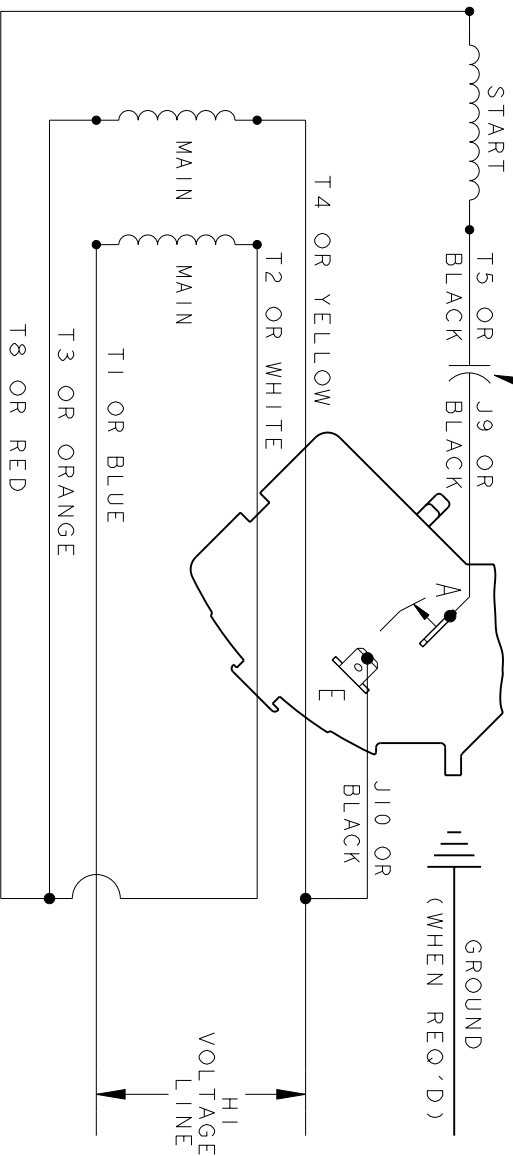
APPROVED  
MAM

CCW/CW ROTATION - DUAL VOLTAGE  
TYPE KC OR KH

CAPACITOR AS SHOWN FOR KC MOTORS ONLY. LEAD T5 BLACK CONNECTED DIRECTLY TO TERMINAL BOARD FOR KH MOTORS.



CAPACITOR AS SHOWN FOR KC MOTORS ONLY. LEAD T5 BLACK CONNECTED DIRECTLY TO TERMINAL BOARD FOR KH MOTORS.



NOTE#1 - TO REVERSE ROTATION, INTERCHANGE T8 RED AND J10 BLACK LEADS.  
NOTE#2 - WHEN MORE THAN ONE CAPACITOR IS USED, CONNECT IN PARALLEL.

SWITCH (H) - 115D958AA

REF. DIAG. - 113A326

CONNECTION LABEL - 52X332917

SIGNATURES		DATE
MODEL	M.D. PAPER	06/29/87
DETAIL		
CHECKED		
ENGRG		
MFG		
QUALITY		
ISSUED	M.D.P.	06/29/87
APPLIED PRACTICES		
DIMENSIONS ARE IN INCHES		
MATERIAL	SOLID MODEL: 52A105381BA	



REGAL-BELOIT CORPORATION

CONNECTION DIAGRAM

FME: 30 FRAME SWITCH REDESIGN

52A105381BA

REV 3

SCALE: 1.000 REF. No: .

SHEET 1 of 1