

PRODUCT INFORMATION PACKET

Modal No: 5KCR39UN2505X
Catalog No: C1092
2,3450,DP,56J,1/60/115/230
Jet Pump



Regal and Marathon are trademarks of Regal Beloit Corporation or one of its affiliated companies.
©2017 Regal Beloit Corporation, All Rights Reserved. MC017097E



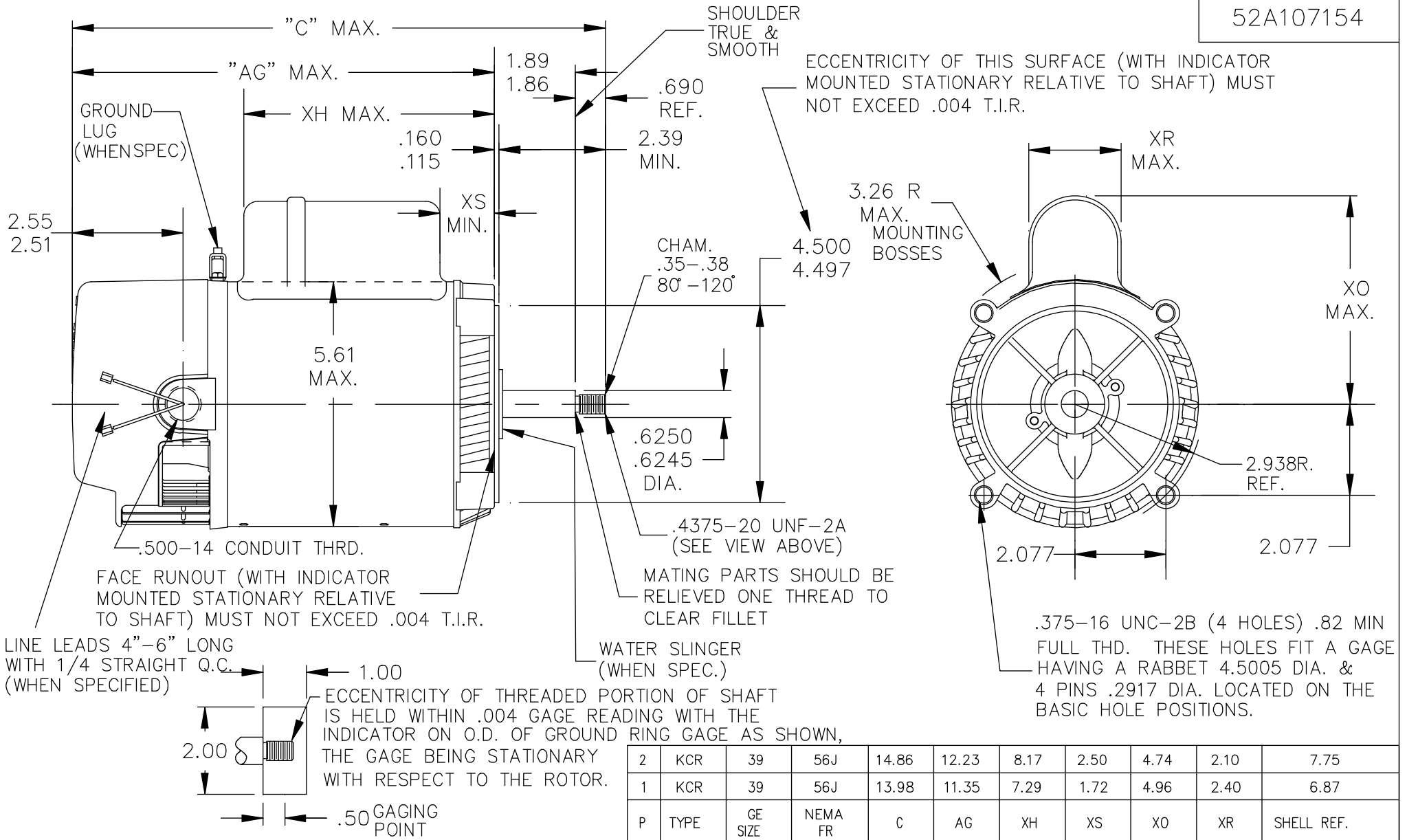
Nameplate Specifications

Output HP	2 Hp	Output KW	1.49 kW
Frequency	60 Hz	Voltage	115/230 V
Current	19.2,9.6 A	Speed	3450 rpm
Service Factor	1.2	Phases	1
Efficiency	80 %	Duty	CONT
Insulation Class	B	KVA Code	J
Frame	56J	Enclosure	DP
Overload Protector	AUTO	Ambient Temperature	50 °C
Drive End Bearing Size	6204	Opp Drive End Bearing Size	6203
UL	Recognized	CSA	Yes
CE	N		

Technical Specifications

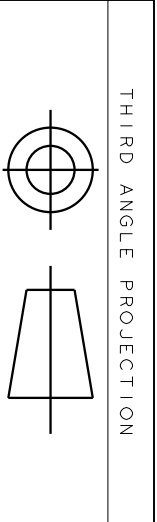
Electrical Type	Capacitor Start Capacitor Run(CSCR)	Starting Method	SM
Poles	2	Rotation	CW
Mounting	RD	Motor Orientation	ANY
Drive End Bearing	LOCKED	Opp Drive End Bearing	BALL
Frame Material	Rolled Steel	Overall Length	13.98 in
Frame Length	6.87 in	Shaft Diameter	0.63 in
Shaft Extension	2.39 in		

52A107154

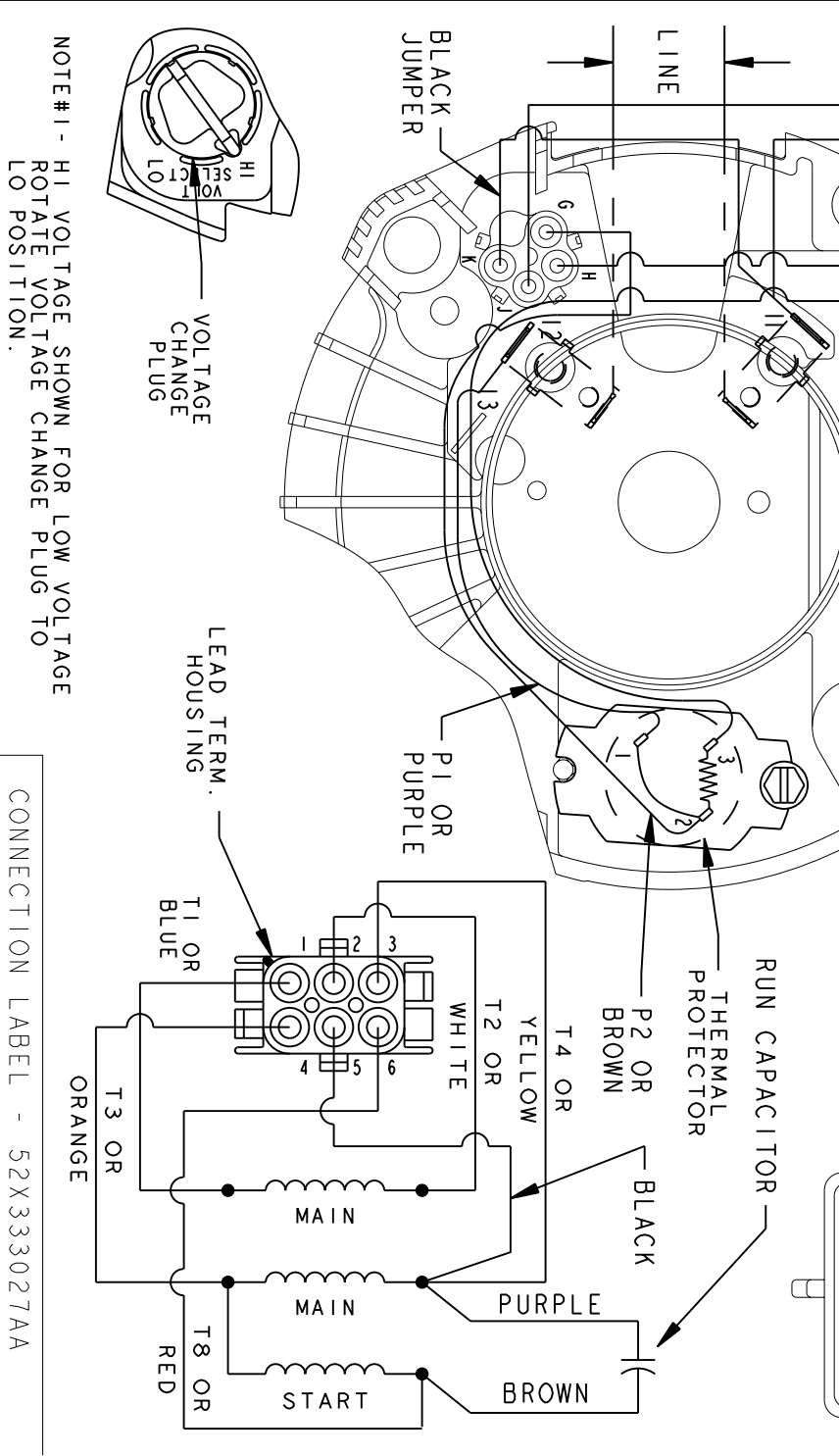
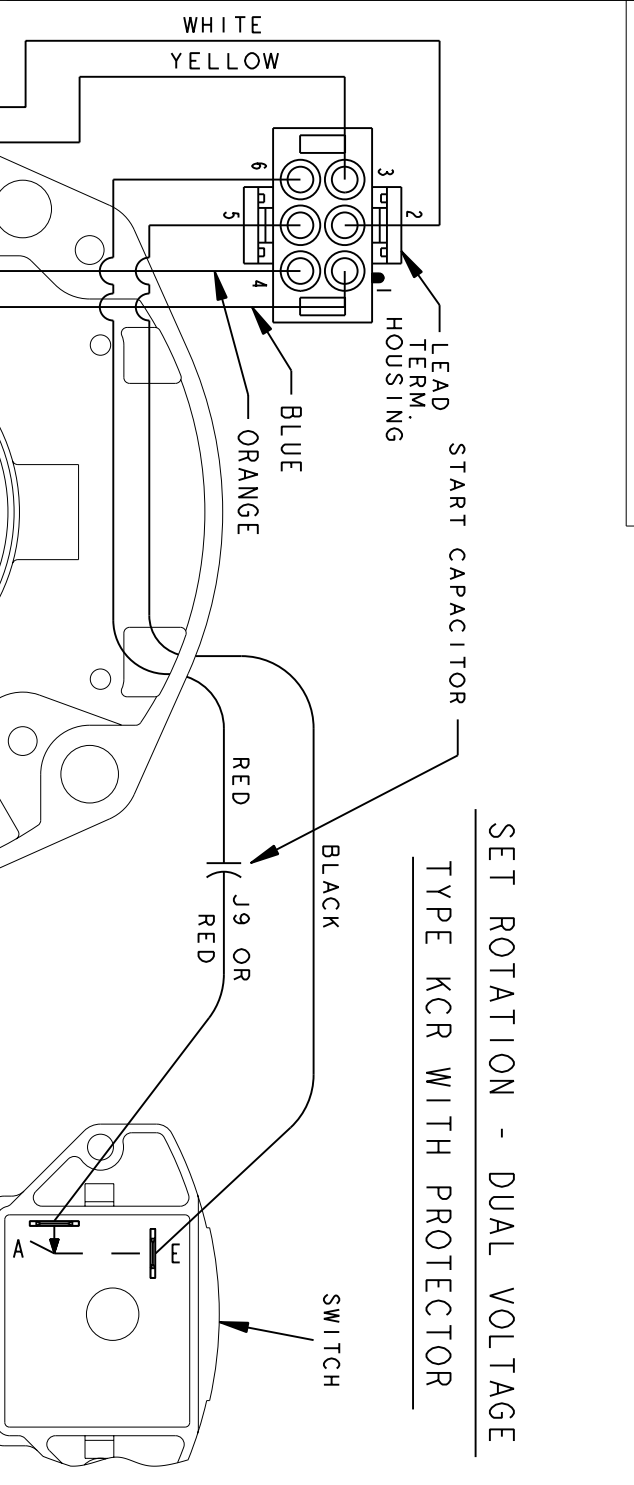


2	KCR	39	56J	14.86	12.23	8.17	2.50	4.74	2.10	7.75
1	KCR	39	56J	13.98	11.35	7.29	1.72	4.96	2.40	6.87
P	TYPE	GE SIZE	NEMA FR	C	AG	XH	XS	XO	XR	SHELL REF.

				TOLERANCES UNLESS SPECIFIED						DRAWN BUN 06/11/91	
				DEC.	INCHES		REGAL-BELOIT CORPORATION				CHK
9	JET/POOL IS REPLACED BY JET PUMP PER ECO-0033464	PVR 05/15/13	DS	.X	±.1		REGAL-BELOIT CORPORATION				APPD CCP 03/08/95
8	OUTLINE DIMN. CHG AS PER ISO8-0574	BAL 02/26/08		.XX	±.03		TITLE OUTLINE				SCALE 3=8
7	CHG TO RBC FORMAT PER ISO5-1777	SUD 02/21/06		.XXX	±.005		2 COMPARTMENT UPGRADE - 56J - JET PUMP				REF
6	REDRAWN BY 2M SOFTWARE CO.	CCP 03/06/95		.XXXX	±.0005		MAT'L.				FMF
NO.	REVISION	BY & DATE	CHK	ANG	±1/2"		FINISH 3 of 4				PREV



REV.	DESCRIPTION	DATE	APPROVED
3	UPDATED TO RBC FORMAT	01/11/06	MAM



SIGNATURES	DATE
MODEL B.L.J.	07/21/92
DETAIL	
CHECKED	
ENGRG	
MFG	
QUALITY	
ISSUED	B.L.J. 07/21/92
MATERIAL	SOLID MODEL: 52A106890

REGAL-BELOIT CORPORATION

REGAL-BELOIT

CONNECTION DIAGRAM

FME: 2 COMPARTMENT DUAL VOLT, SET ROTATION

SCALE: 1.000 REF. No: .

52A106890

SHEET 1 of 1