

PRODUCT INFORMATION PACKET

Modal No: 5KCR39UN2512X
Catalog No: C1173
2,3450,DP,56Z,1/60/230
Jet Pump



Regal and Marathon are trademarks of Regal Beloit Corporation or one of its affiliated companies.
©2017 Regal Beloit Corporation, All Rights Reserved. MC017097E



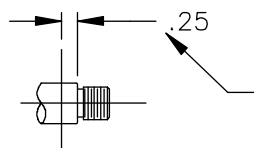
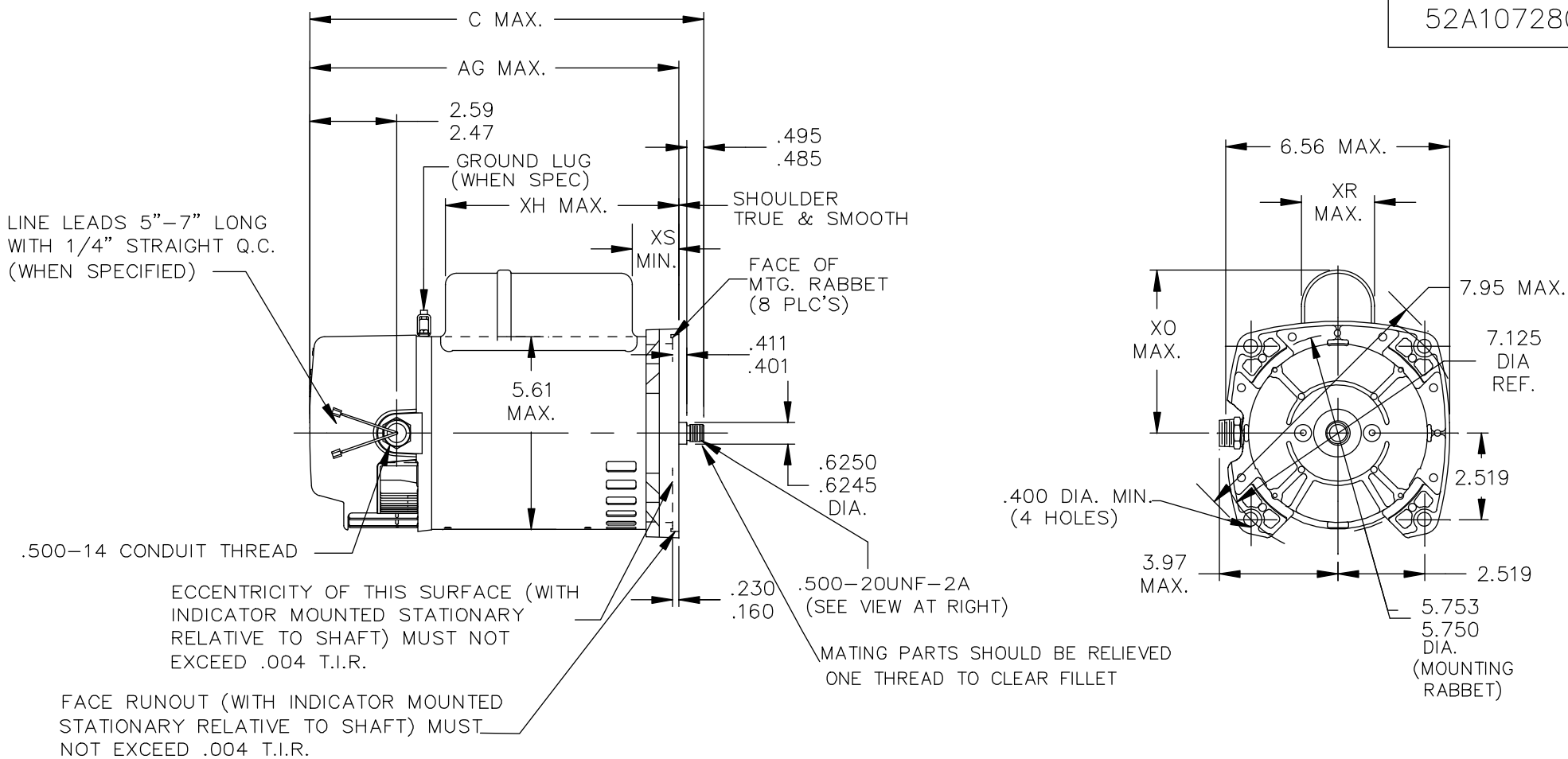
Nameplate Specifications

Output HP	2 Hp	Output KW	1.49 kW
Frequency	60 Hz	Voltage	230 V
Current	8.7 A	Speed	3450 rpm
Service Factor	1.3	Phases	1
Efficiency	78.5 %	Duty	CONT
Insulation Class	B	KVA Code	J
Frame	56Y	Enclosure	DP
Overload Protector	AUTO	Ambient Temperature	50 °C
Drive End Bearing Size	6204	Opp Drive End Bearing Size	6203
UL	Recognized	CSA	Yes
CE	N		


Technical Specifications

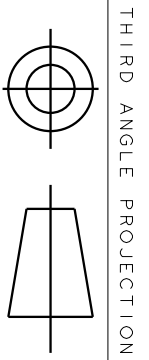
Electrical Type	Capacitor Start Capacitor Run(CSCR)	Starting Method	SM
Poles	2	Rotation	CW
Mounting	RD	Motor Orientation	ANY
Drive End Bearing	LOCKED	Opp Drive End Bearing	BALL
Frame Material	Rolled Steel	Overall Length	13.12 in
Frame Length	7.75 in	Shaft Diameter	0.63 in
Shaft Extension	0.265 in		

52A107280



2	KCR	39	56Z	13.12	12.39	8.11	2.40	2.10	4.74	7.75
1	KCR	38	56Z	12.59	11.86	7.83	2.12	2.10	4.74	7.22
P	TYPE	RBC SIZE	NEMA FR	C	AG	XH	XS	XR	XO	SHELL REF.

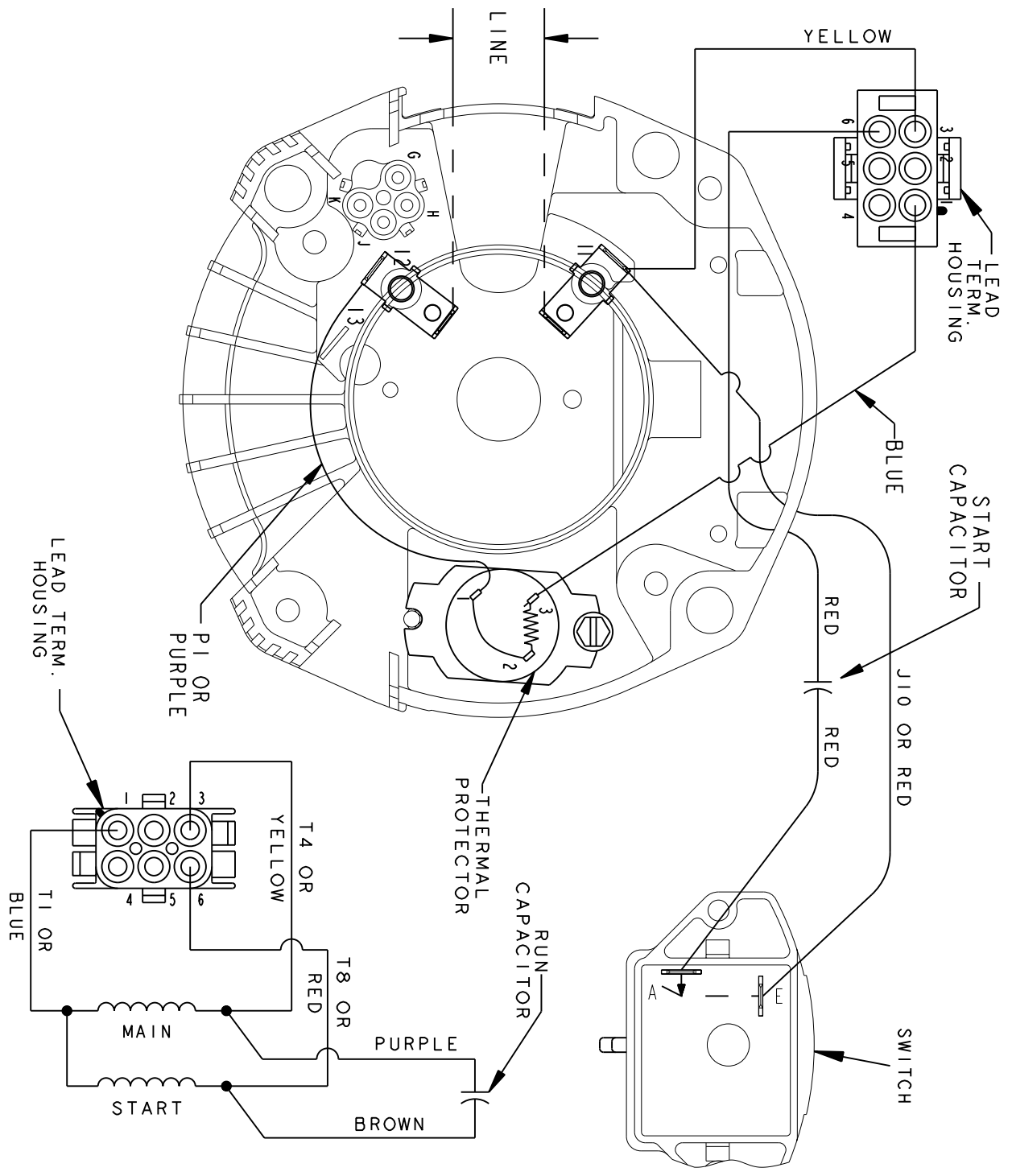
NO.	REVISION	BY & DATE	CHK	TOLERANCES UNLESS SPECIFIED		REGAL-BELOIT CORPORATION	DRAWN MDP 03/31/93
				DEC.	INCHES		
5	JET/POOL IS REPLACED BY JET PUMP PER ECO-0033464	PVR 05/16/13	DS	.X	±.1	 REGAL-BELOIT CORPORATION TITLE: 2 COMPARTMENT UPGRADE - 56Z - JET PUMP MAT'L. 3 of 4 FINISH	CHK
4	ADDED DIM 7.95 MAX. PER ISO6-1166	AB 09/14/06	.XX	±.03	APPD MDP 03/31/93		
3	CHG TO RBC FORMAT PER ISO5-1777	SUD 02/27/06	.XXX	±.005	SCALE 3=8		
2	REVISED PER TI95-21,753.	MDP 04/27/95	.XXXX	±.0005	REF		
			ANG	±1/2"	FMF		
						PREV	



THIRD ANGLE PROJECTION

REV.	DESCRIPTION	DATE	APPROVED
2	REDRAWN IN PROJE, NO CHANGES	08/03/07	MADHU

SET ROTATION - SINGLE VOLTAGE
TYPE KCR WITH PROTECTOR



SIGNATURES	DATE
MODEL	
DETAIL	M. A. MARKS 06/20/91
CHECKED	
ENGRG	
MFG	
QUALITY	
ISSUED	M. A. MARKS 06/20/91
SOLID MODEL:	52A106872

REGAL-BELOIT CORPORATION

REGAL-BELOIT

CONNECTION DIAGRAM

FME : 2 COMPARTMENT SINGLE VOLT , SET ROTATION

SIZE DRAWING A

SCALE : 1.000 REF. No. :

52A106872

REV 2

SHEET 1 of 1