

# PRODUCT INFORMATION PACKET

Modal No: 5KCR39UN2892X  
Catalog No: C1466  
2,3450,DP,56J,1/60/115/230  
Jet Pump



Regal and Marathon are trademarks of Regal Beloit Corporation or one of its affiliated companies.  
©2017 Regal Beloit Corporation, All Rights Reserved. MC017097E



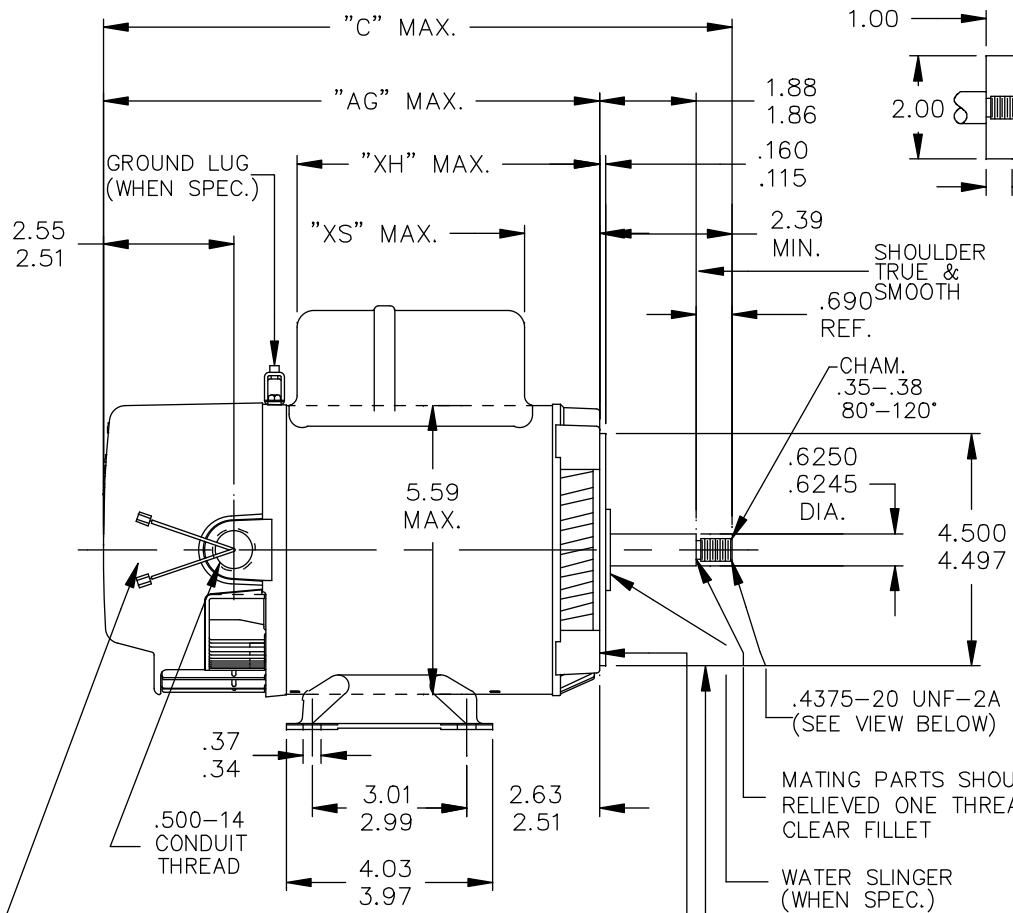
## Nameplate Specifications

Output HP	<b>2 Hp</b>	Output KW	<b>1.49 kW</b>
Frequency	<b>60 Hz</b>	Voltage	<b>115/230 V</b>
Current	<b>19.2,9.6 A</b>	Speed	<b>3450 rpm</b>
Service Factor	<b>1.2</b>	Phases	<b>1</b>
Efficiency	<b>80 %</b>	Duty	<b>CONT</b>
Insulation Class	<b>B</b>	KVA Code	<b>J</b>
Frame	<b>56J</b>	Enclosure	<b>DP</b>
Overload Protector	<b>AUTO</b>	Ambient Temperature	<b>50 °C</b>
Drive End Bearing Size	<b>6204</b>	Opp Drive End Bearing Size	<b>6203</b>
UL	<b>Recognized</b>	CSA	<b>Yes</b>
CE	<b>N</b>		

## Technical Specifications

Electrical Type	<b>Capacitor Start Capacitor Run(CSCR)</b>	Starting Method	<b>SM</b>
Poles	<b>2</b>	Rotation	<b>CW</b>
Mounting	<b>WB</b>	Motor Orientation	<b>ANY</b>
Drive End Bearing	<b>LOCKED</b>	Opp Drive End Bearing	<b>BALL</b>
Frame Material	<b>Rolled Steel</b>	Overall Length	<b>13.98 in</b>
Frame Length	<b>6.87 in</b>	Shaft Diameter	<b>0.63 in</b>
Shaft Extension	<b>2.39 in</b>		

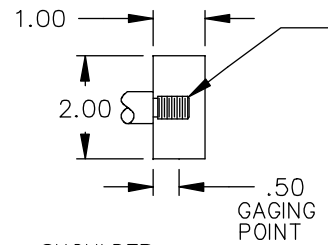
52A109358



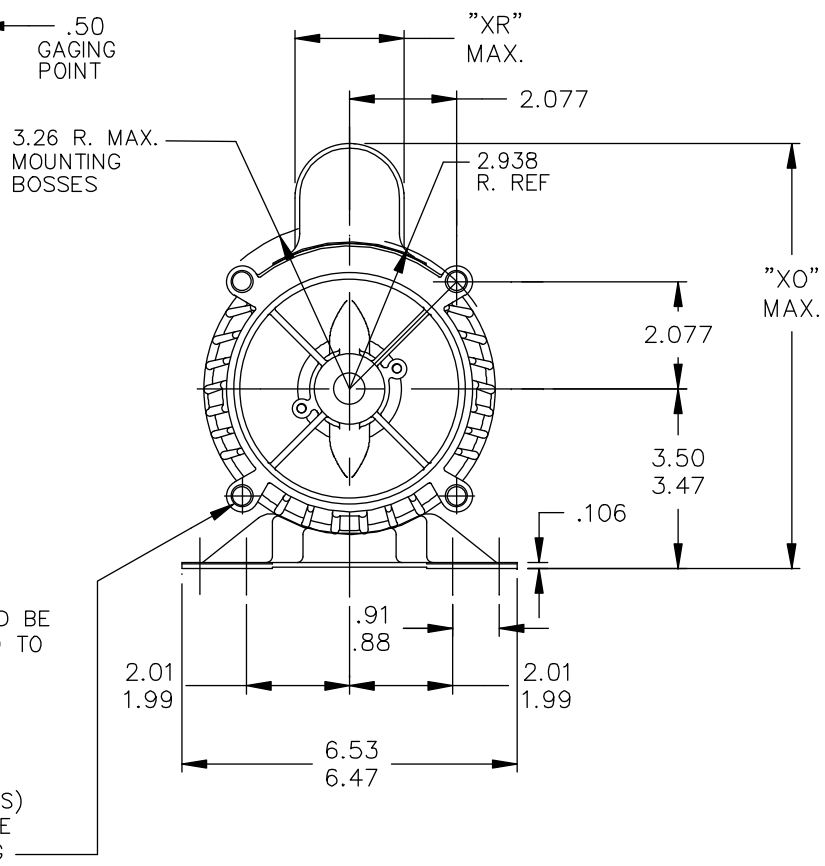
LINE LEADS 4"-6" LONG WITH 1/4 STRAIGHT Q.C. (WHEN SPECIFIED)

FACE RUNOUT (WITH INDICATOR MOUNTED STATIONARY RELATIVE TO SHAFT) MUST NOT EXCEED .004 T.I.R.

ECCENTRICITY OF THIS SURFACE (WITH INDICATOR MOUNTED STATIONARY RELATIVE TO SHAFT) MUST NOT EXCEED .004 T.I.R.



ECCENTRICITY OF THREADED PORTION OF SHAFT IS HELD WITHIN .004 GAGE READING WITH THE INDICATOR ON O.D. OF GROUND RING GAGE AS SHOWN, THE GAGE BEING STATIONARY WITH RESPECT TO THE ROTOR.

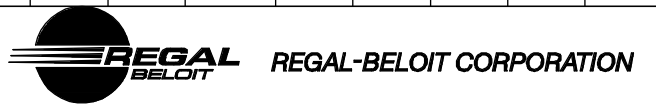


WATER SLINGER (WHEN SPEC.)

.375-16 UNC-2B (4 HOLES) .82 MIN. FULL THD. THESE HOLES FIT A GAGE HAVING A RABBET 4.5005 DIA. & 4 PINS .2917 DIA. LOCATED ON THE BASIC HOLE POSITIONS.

2	KCR	39	56J	14.86	12.23	8.17	2.50	8.43	2.10	7.75
1	KCR	39	56J	13.98	11.35	7.29	1.63	8.43	2.10	6.87
P	TYPE	GE SIZE	NEMA FR	C	AG	XH	XS	XO	XR	SHELL REF.

TOLERANCES UNLESS SPECIFIED	
DEC.	INCHES
.X	±.1



DRAWN MAM 11/08/93  
CHK  
APPD MAM 11/08/93

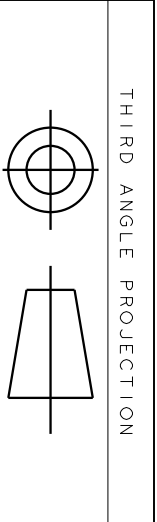
3	JET/POOL IS REPLACED BY JET PUMP PER ECO-0033464	PVR 05/16/13	DS	.XX	±.03
2	CHG TO RBC FORMAT PER ISO5-1777	SUD 03/13/06		.XXX	±.005
1	REV. DIM. "XO" WAS 4.74	MAM 11/24/93		.XXXX	±.0005
NO.	REVISION	BY & DATE	CHK	ANG	±1/2"

TITLE OUTLINE 2 COMPARTMENT UPGRADE 56J - JET PUMP - WELD BASE

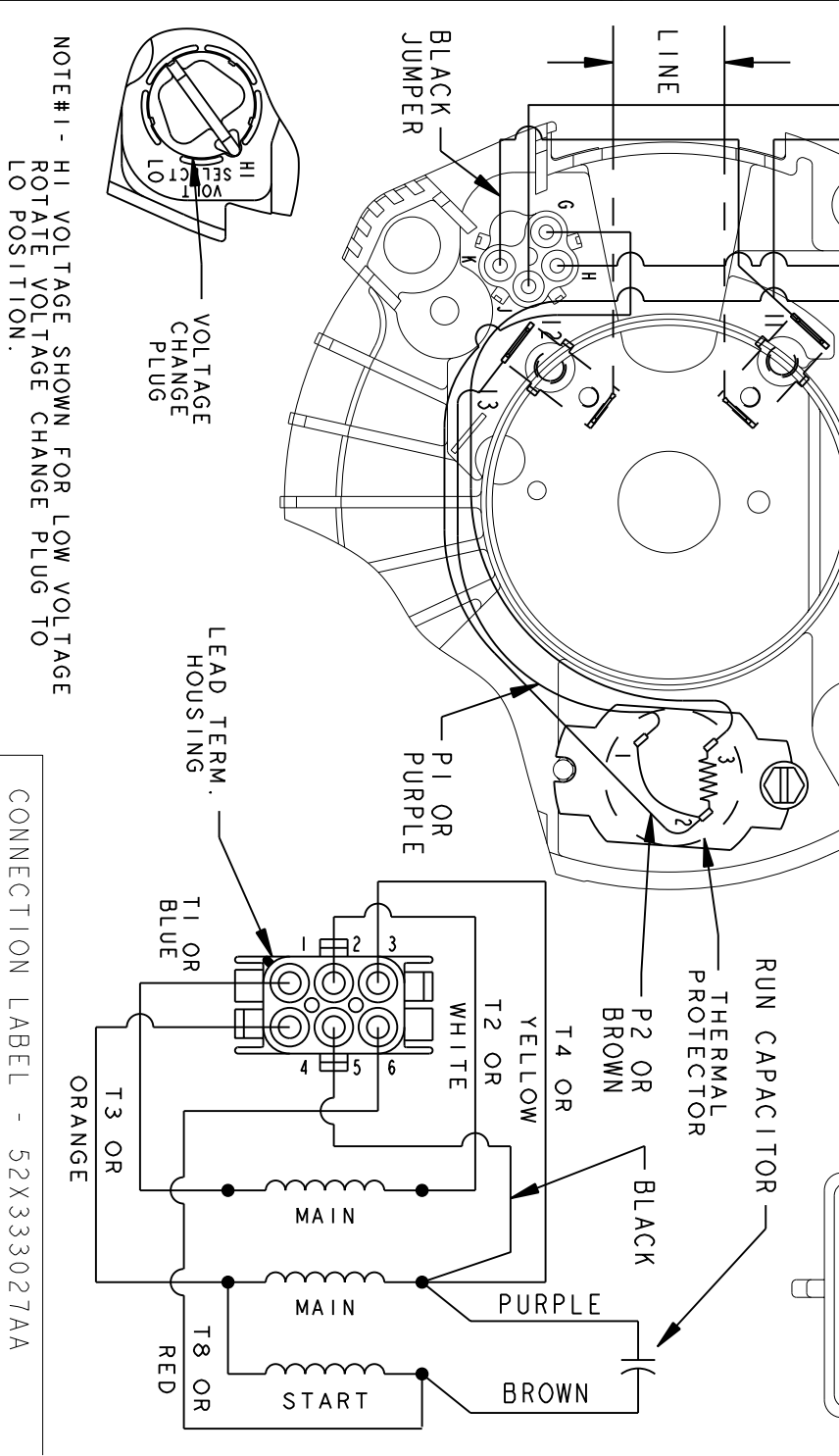
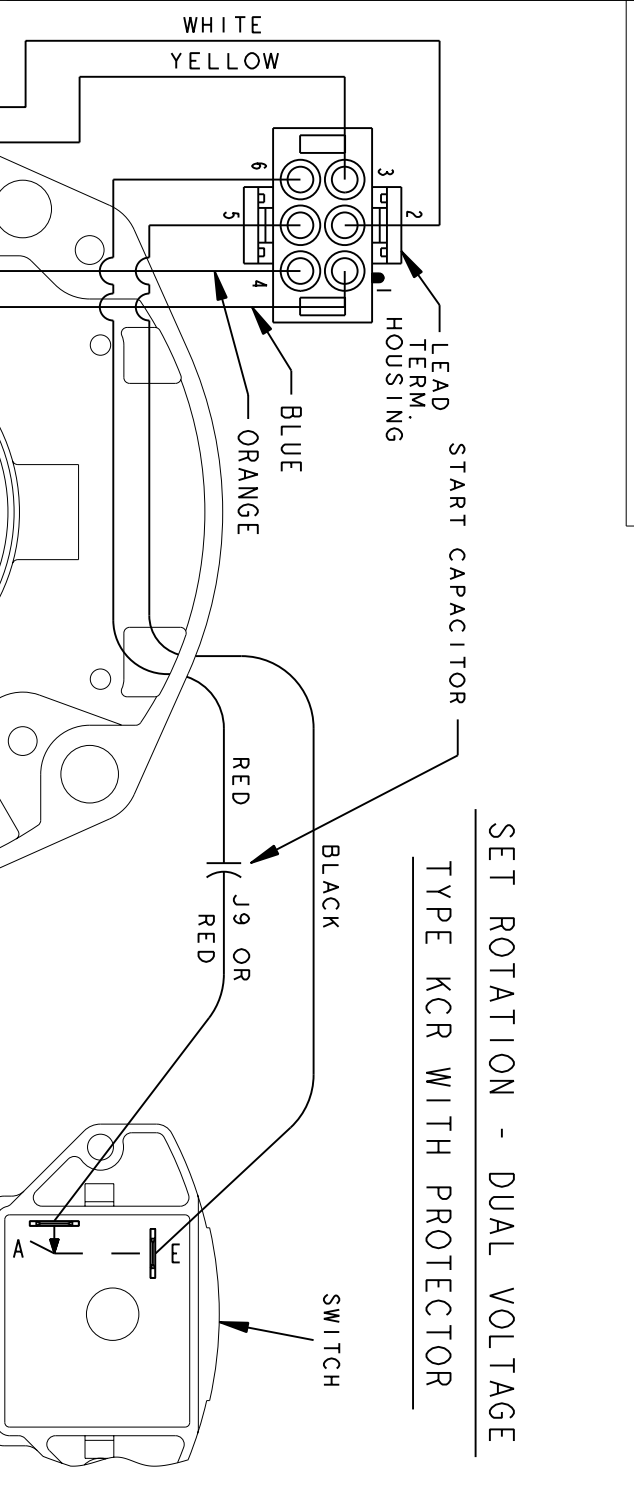
MAT'L.

FINISH 3 of 4

SCALE 3=8  
REF  
FMF  
PREV



REV.	DESCRIPTION	DATE	APPROVED
3	UPDATED TO RBC FORMAT	01/11/06	MAM



NOTE#1 - HI VOLTAGE SHOWN FOR LOW VOLTAGE  
 ROTATE VOLTAGE CHANGE PLUG TO  
 LO POSITION.

CONNECTION LABEL - 52X333027AA

SIGNATURES	DATE
MODEL B.L.J.	07/21/92
DETAIL	
CHECKED	
ENGRG	
MFG	
QUALITY	
ISSUED	B.L.J. 07/21/92
MATERIAL	SOLID MODEL: 52A106890

**REGAL-BELOIT CORPORATION**

**REGAL-BELOIT**

**REGAL-BELOIT CORPORATION**

**CONNECTION DIAGRAM**

**FMF: 2 COMPARTMENT DUAL VOLT, SET ROTATION**

SIZE: DRAWING A

SCALE: 1.000 REF. No.:

**52A106890**

REV 3