

PRODUCT INFORMATION PACKET

Modal No: 5KCR46NN0264T
Catalog No: C1303
3/4, 1725, TENV, 56, 1/60/115/208-230
Single Phase



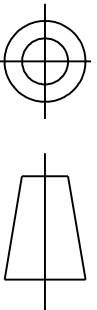
Regal and Marathon are trademarks of Regal Beloit Corporation or one of its affiliated companies.
©2017 Regal Beloit Corporation, All Rights Reserved. MC017097E

Nameplate Specifications

Output HP	0.75 Hp	Output KW	0.56 kW
Frequency	60 Hz	Voltage	115/208-230 V
Current	8.2,4.0-4.1 A	Speed	1725 rpm
Service Factor	1.25	Phases	1
Efficiency	75.5 %	Duty	CONT
Insulation Class	B	KVA Code	J
Frame	56	Enclosure	TENV
Overload Protector	AUTO	Ambient Temperature	40 °C
Drive End Bearing Size	6203	Opp Drive End Bearing Size	6203
UL	Recognized	CSA	Yes
CE	N		

Technical Specifications

Electrical Type	Capacitor Start Capacitor Run(CSCR)	Starting Method	SM
Poles	4	Rotation	CCW/CW
Mounting	RB	Motor Orientation	ANY
Drive End Bearing	BALL	Opp Drive End Bearing	BALL
Frame Material	Rolled Steel	Overall Length	10.78 in
Frame Length	6.55 in	Shaft Diameter	0.63 in
Shaft Extension	1.88 in		



THIRD ANGLE PROJECTION

REV. DESCRIPTION		DATE	APPROVED
11	ADDED PART #5	03/24/00	R.P.C.
12	CHG TO RBC FORMAT PER IS05-1777	03/01/06	SUDHA
13	ADDED GD LEAD AT OE PER IS11-1850	06/29/11	RAJESH

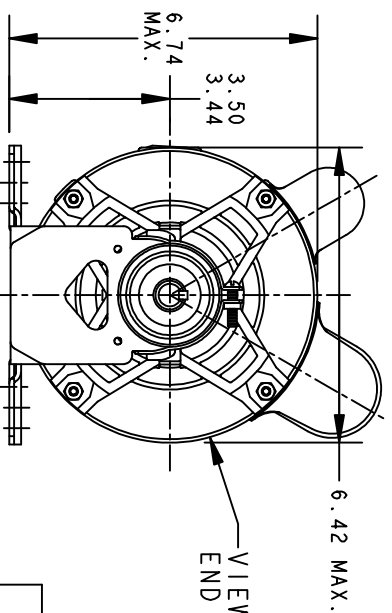
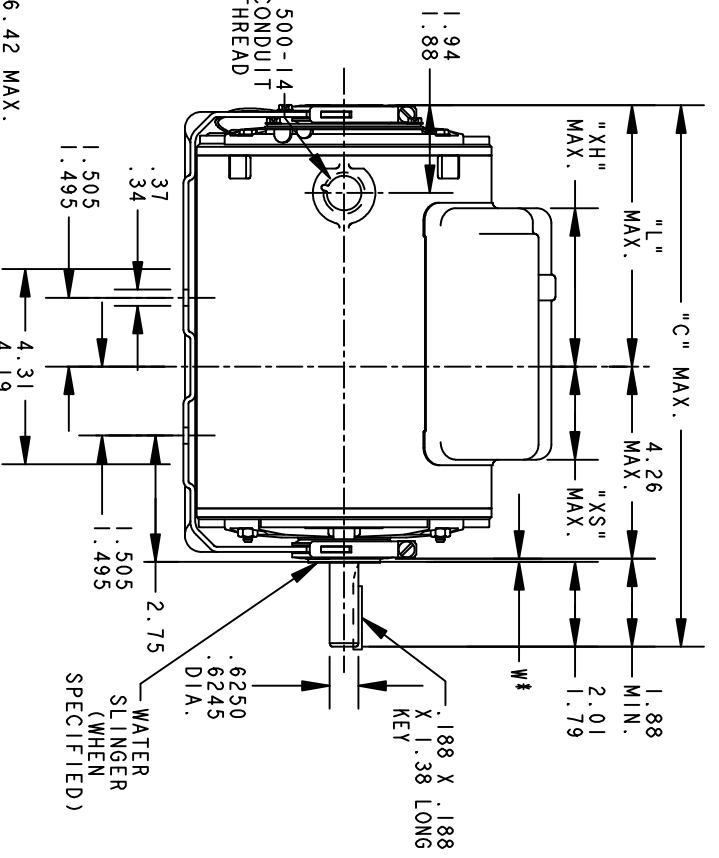
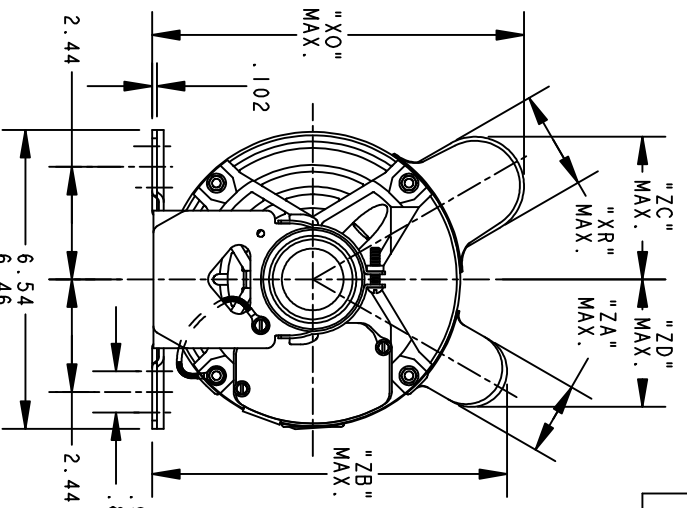
REVISIONS

SHEET 1

REV 13

52A107710

DRAWING NO. A



ALL DIMENSIONS ARE IN INCHES

* W IS A VARIABLE CLEARANCE DUE TO VARIATIONS IN PARTS AND ASSEMBLY

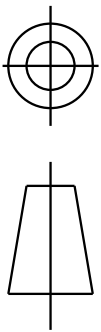
P	TYPE	GE SIZE	NEMA FR.	"C"	"L"	"XH"	"XO"	"XR"	"XS"	"ZA"	"ZB"	"ZC"	"ZD"	MIN. SHELL
5	KCR	48	56	12.66	6.50	3.76	8.18	2.15	2.01	1.60	7.99	3.20	2.86	8.43
4	KCR	49	56	11.38	5.22	3.51	8.18	2.15	2.24	1.60	7.63	3.20	3.16	7.15
3	KCR	46	56	10.78	4.62	2.91	8.18	2.15	2.84	2.40	8.40	3.20	3.38	6.55
2	KCR	46	56	10.78	4.62	2.91	8.18	2.15	2.84	1.60	7.63	3.20	3.16	6.55
1	KCR	49	56	11.91	5.75	3.58	8.18	2.15	2.17	1.60	7.81	3.20	2.86	7.68

SIGNATURES		DATE
MODEL	M.D.PAPE	07/01/91
DETAIL		
CHECKED		
ENGRG		
MFG		
QUALITY		
ISSUED	M.D.PAPE	02/29/93

TITLE		SIZE	DRAWING	REV
REGAL-BELOIT CORPORATION		A	A	13
OUTLINE				
GENERAL PURPOSE MOTOR TENV - BALL BEARING				
RESILIENT BASE FME - 40 FRAME REDESIGN (5KCR49SN0020S)				
SCALE:	0.250	REF. No.:		SHEET 1 of 1

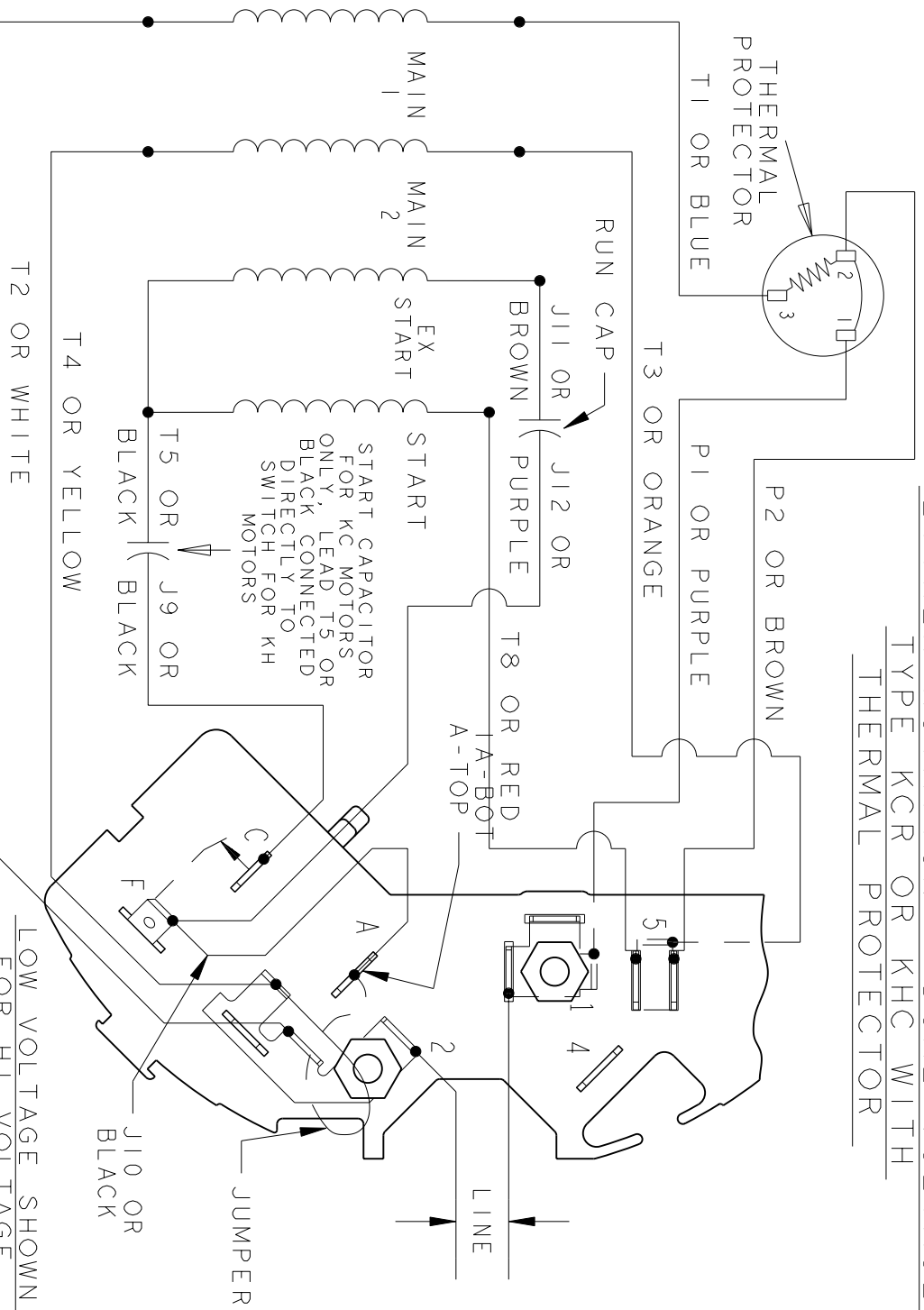


REGAL-BELOIT CORPORATION



REV.	DESCRIPTION	DATE	APPROVED
3	UPDATED FORMAT	01/05/06	MAM

EITHER ROTATION - DUAL VOLTAGE
TYPE KCR OR KHC WITH
THERMAL PROTECTOR



NOTE #1 - FOR HI VOLTAGE REMOVE BROWN (P2) FROM TERMINAL #5 AND PLACE ON TERMINAL #4, REMOVE WHITE (T2) FROM TERMINAL #2 AND PLACE ON TERMINAL #5.

NOTE #2 - TO REVERSE ROTATION INTERCHANGE BLACK (J10) AND RED (T8) LEADS.

NOTE #3 - WHEN MORE THAN ONE CAPACITOR IS USED CONNECT IN PARALLEL.

REF. DIAG. - 119A9479

SWITCH - 115D958AC
CONNECTION LABEL - 52X332051

LOW VOLTAGE SHOWN
FOR HI VOLTAGE
SEE NOTE #1

SIGNATURES		DATE
MODEL	M.D. PAPE	10/19/87
DETAIL	.	.
CHECKED	.	.
ENGRG	.	.
MFG	.	.
FOR ADDITIONAL INFO REFER TO:	QUALITY	.
APPLIED PRACTICES	ISSUED	M.D.P. 10/19/87
DIMENSIONS ARE IN INCHES	SOLID MODEL: 52A105383AB	.

REGAL-BELOIT CORPORATION

REGAL-BELOIT

CONNECTION DIAGRAM

FMF: 30 FRAME SWITCH REDESIGN

SCALE: 1.000 REF. No: .

52A105383AB

REV 3

SHEET 1 of 1