

PRODUCT INFORMATION PACKET

Modal No: 5KCR48UN2653Y
Catalog No: 9036
3,3600,DP,56,1/60/230
Air Compressor



Regal and Marathon are trademarks of Regal Beloit Corporation or one of its affiliated companies.
©2017 Regal Beloit Corporation, All Rights Reserved. MC017097E



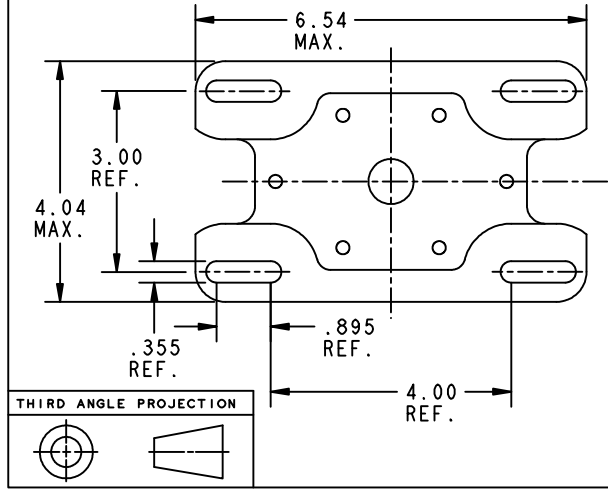
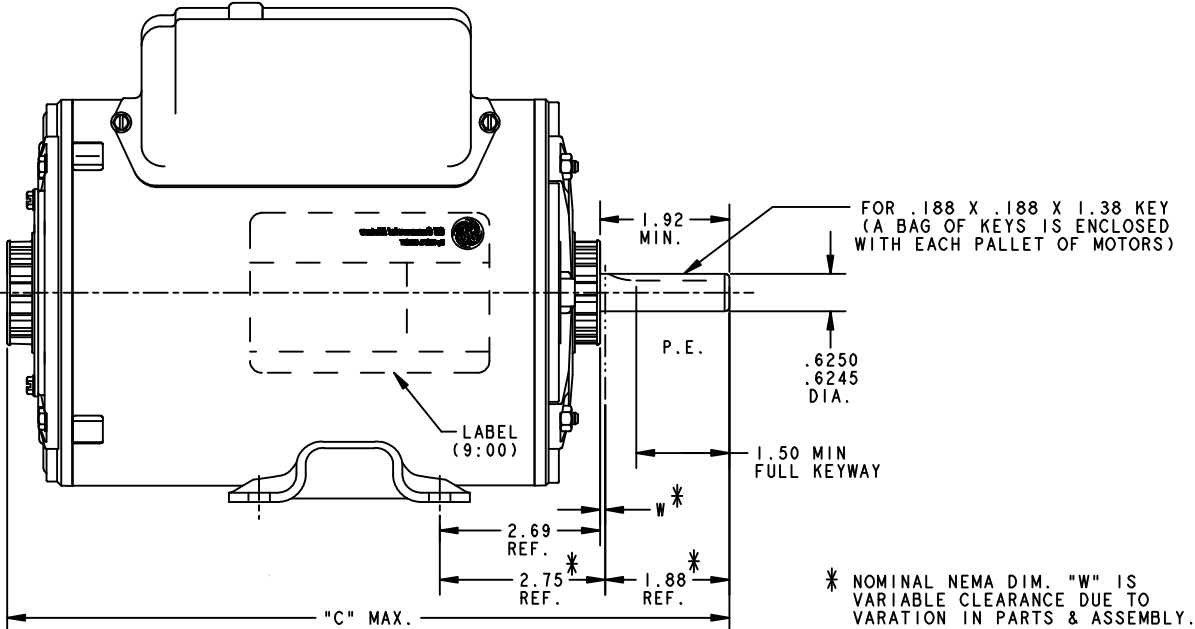
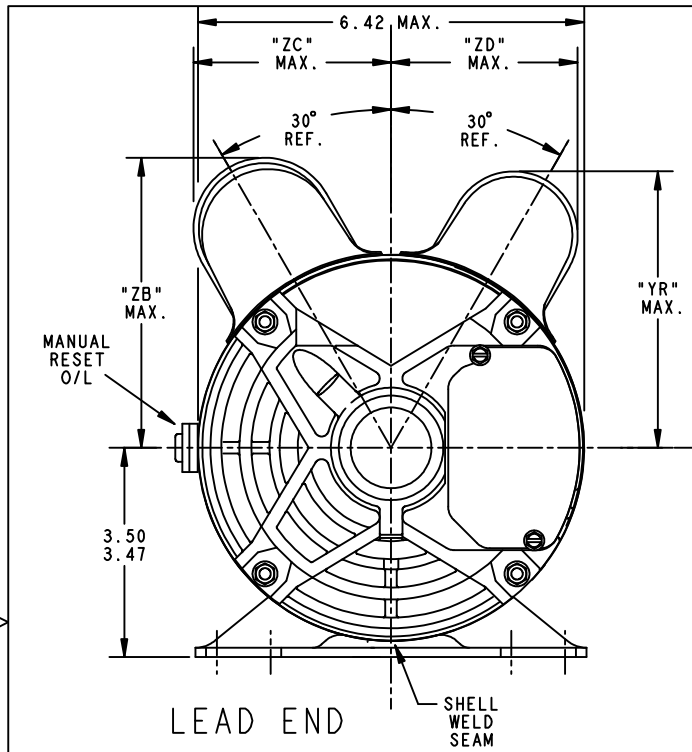
Nameplate Specifications

Output HP	3 Hp	Output KW	2.24 kW
Frequency	60 Hz	Voltage	230 V
Current	14 A	Speed	3450 rpm
Service Factor	1	Phases	1
Efficiency	78.5 %	Duty	CONT
Insulation Class	B	KVA Code	J
Frame	56	Enclosure	DP
Overload Protector	MAN	Ambient Temperature	40 °C
Drive End Bearing Size	6203	Opp Drive End Bearing Size	6203
UL	Recognized	CSA	Yes
CE	N		

Technical Specifications

Electrical Type	Capacitor Start Capacitor Run(CSCR)	Starting Method	SM
Poles	2	Rotation	CW/CCW
Mounting	WB	Motor Orientation	ANY
Drive End Bearing	BALL	Opp Drive End Bearing	BALL
Frame Material	Rolled Steel	Overall Length	12.64 in
Frame Length	8.43 in	Shaft Diameter	0.63 in
Shaft Extension	1.88 in		

REVISIONS			
REV.	DESCRIPTION	DATE	APPROVED
11	REVRSO CAP CVRS R1200-270	11/22/00	R.P.C
12	CHG TO RBC FORMAT PER IS05-1777	05/03/06	MADHU



- NOTES:
1. ENDPLAY .002-.010 (E1-115A321AAP2).
 2. MINIMUM CLAMPBOLT TORQUE IS 32 IN.-LBS.

* NOMINAL NEMA DIM. "W" IS VARIABLE CLEARANCE DUE TO VARIATION IN PARTS & ASSEMBLY.

5	KCR	49	7.68	11.89	4.66	4.66	3.17	3.17
4	KCR	48	8.43	12.64	4.66	4.66	3.17	3.17
3	KCR	48	8.43	12.64	4.27	4.66	3.17	2.82
2	KCR	48	8.43	12.64	4.90	4.90	3.38	3.38
1	KCR	49	7.68	11.89	4.27	4.66	3.17	2.82
P	TYPE	GE SIZE	SHELL (MIN.)	"C"	"YR"	"ZB"	"ZC"	"ZD"

SIGNATURES		DATE
MODEL	M.W.E	03/04/93
DETAIL	.	.
CHECKED	.	.
ENGRG	.	.
NFG	.	.
APPLIED PRACTICES	QUALITY	.
DIMENSIONS ARE IN INCHES	ISSUED	M.W.PAPE 03/09/99
MATERIAL	SOLID MODEL: 52B206998	

REGAL-BELOIT CORPORATION

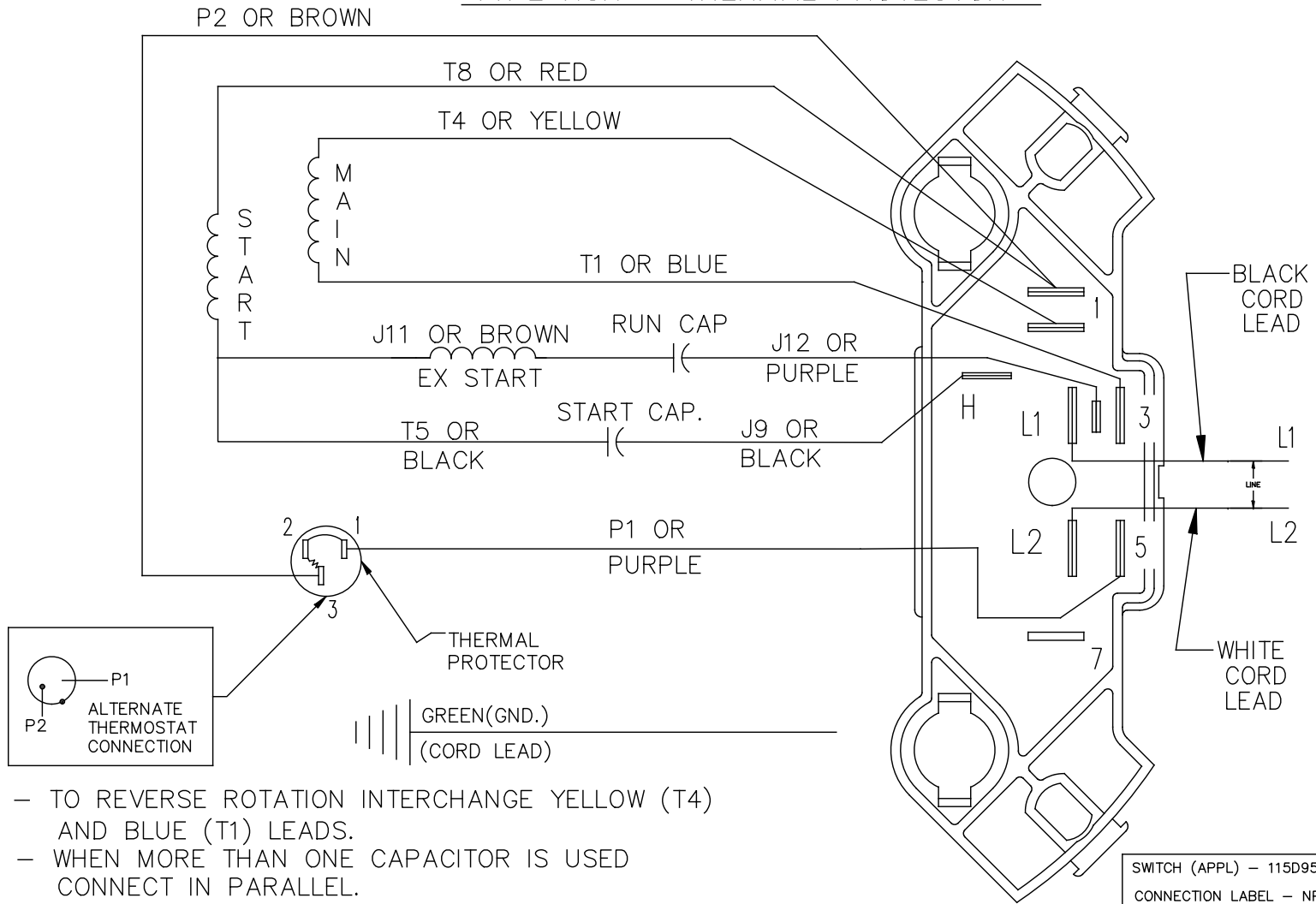
TITLE: **OUTLINE**
FMF - 40 FRAME 5KCR49SN2021Y

SIZE DRAWING: **52B206998** REV **12**

SCALE: 0.500 REF. No. SHEET 1 of 1

EITHER ROTATION – SINGLE VOLTAGE – SINGLE SPEED
TYPE KCR – THERMAL PROTECTOR

52A111949



SWITCH (APPL) – 115D958EA
CONNECTION LABEL – NP52X333580

NOTE # 1 – TO REVERSE ROTATION INTERCHANGE YELLOW (T4) AND BLUE (T1) LEADS.
NOTE # 2 – WHEN MORE THAN ONE CAPACITOR IS USED CONNECT IN PARALLEL.

		TOLERANCES UNLESS SPECIFIED		REGAL-BELOIT CORPORATION		DRAWN
		DEC.	INCHES	REGAL-BELOIT CORPORATION		PVN 6/23/2014
		.X	±0.1	REGAL-BELOIT CORPORATION		CHK KK 6/23/2014
		.XX	±0.02	REGAL-BELOIT CORPORATION		APPD KK 6/23/2014
		.XXX	±0.005	REGAL-BELOIT CORPORATION		SCALE 1=1
		.XXXX	±0.0005	REGAL-BELOIT CORPORATION		REF 52A109213
1	CONNECTION DECAL CHD PER ECO-0104782	KK	6/27/16	REGAL-BELOIT CORPORATION		FMF
NO.	REVISION	BY & DATE	CHK	ANG	FINISH	PREV
			RFP		CAD FILE 108154	SIZE A
			DIST			DRAWING NO. 52A111949
THIS DRAWING IN DESIGN AND DETAIL IS OUR PROPERTY AND MUST NOT BE USED EXCEPT IN CONNECTION WITH OUR WORK ALL RIGHTS OF DESIGN AND INVENTION ARE RESERVED THIS IS AN ELECTRONICALLY GENERATED DOCUMENT – DO NOT SCALE THIS PRINT						REV. 01