

PRODUCT INFORMATION PACKET

Modal No: 5KCR49SN0065
Catalog No: C191
1 1/2, 1725, DP, 145T, 1/60/115/208-230
Open Drip Proof (ODP)



Regal and Marathon are trademarks of Regal Beloit Corporation or one of its affiliated companies.
©2017 Regal Beloit Corporation, All Rights Reserved. MC017097E

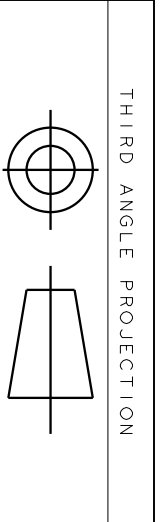


Nameplate Specifications

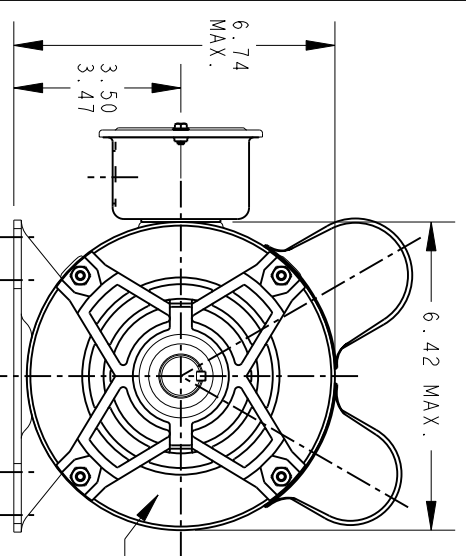
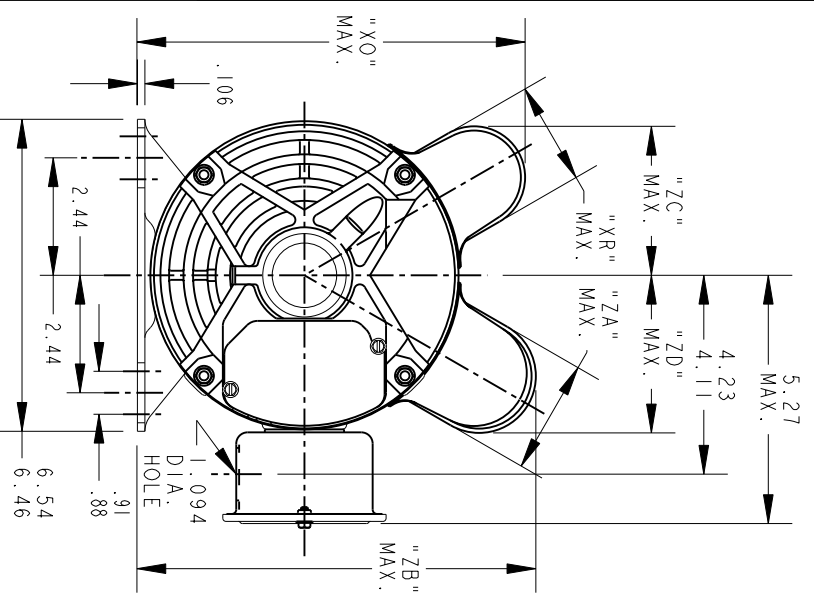
Output HP	1.5 Hp	Output KW	1.12 kW
Frequency	60 Hz	Voltage	115/208-230 V
Current	18.2,9.1-9.1 A	Speed	1725 rpm
Service Factor	1.15	Phases	1
Efficiency	72 %	Duty	CONT
Insulation Class	B	KVA Code	K
Frame	145T	Enclosure	DP
Overload Protector	N/R	Ambient Temperature	40 °C
Drive End Bearing Size	6205	Opp Drive End Bearing Size	6203
UL	Recognized	CSA	Yes
CE	N	IP Code	22

Technical Specifications

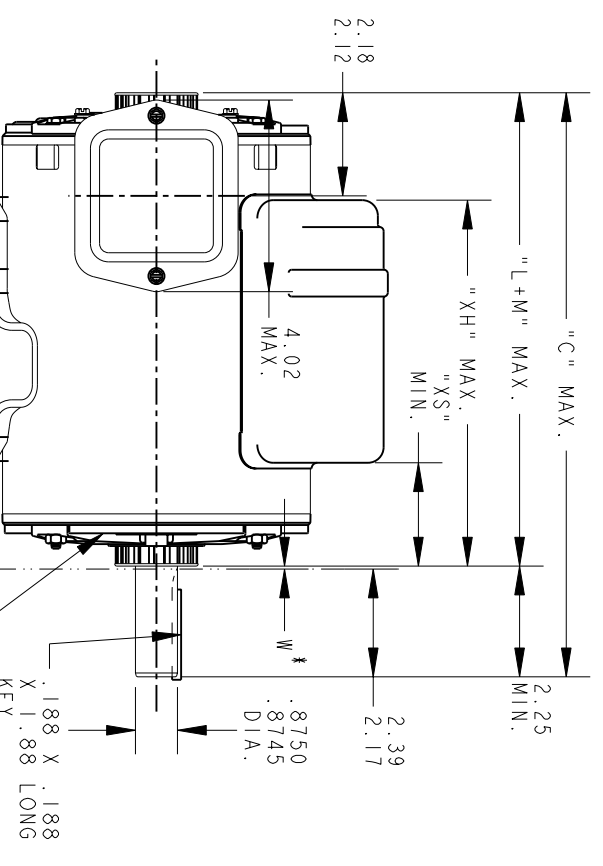
Electrical Type	Capacitor Start Capacitor Run(CSCR)	Starting Method	SM
Poles	4	Rotation	CCW/CW
Mounting	WB	Motor Orientation	ANY
Drive End Bearing	BALL	Opp Drive End Bearing	BALL
Frame Material	Rolled Steel	Overall Length	12.3 in
Frame Length	7.68 in	Shaft Diameter	0.88 in
Shaft Extension	2.25 in		



REVISIONS		DESCRIPTION	DATE	APPROVED
2	CHG TO RBC FORMAT PER ISO5-1777		03/02/06	SUDHA



VIEW OF P.E. END SHIELD



* W IS A VARIABLE CLEARANCE DUE TO VARIATIONS IN PARTS AND ASSEMBLY

VENTILATION OPENINGS AROUND ENTIRE FACE OF P.E. END SHIELD

ALL DIMENSIONS ARE IN INCHES

P	TYPE	GE	SIZE	"C"	"L+M"	"XH"	"XO"	"XR"	"XS"	"ZA"	"ZB"	"ZC"	"ZD"	MIN. SHELL
1	KCR	49	143T 145T	12.28	10.01	7.76	8.18	2.15	2.01	2.40	8.40	3.20	3.38	7.68

SIGNATURES		DATE
MODEL	M.D. PAPER	11/08/91
DETAIL		
CHECKED		
ENGRG		
MFG		
QUALITY		
ISSUED	M.D. PAPER	11/08/91



REGAL-BELOTT CORPORATION

TITLE OUTLINE

GENERAL PURPOSE MOTOR DRIP PROOF - BALL BEARING WELDED BASE FIMF - 40 FRAME REDESIGN (5KCR49SN0065)

SIZE DRAWING A

SCALE: 0.250 REF. No.:

52A107763

FOR ADDITIONAL INFO REFER TO:	MATERIAL	SOLID MODEL: 52A107763
APPLIED PRACTICES	ISSUED	
DIMENSIONS ARE IN INCHES		

