

PRODUCT INFORMATION PACKET

Modal No: 5KCR49TN8058T
Catalog No: C1274
2,3450,TENV,145T,1/60/115/230
Aeration Fan



Regal and Marathon are trademarks of Regal Beloit Corporation or one of its affiliated companies.
©2017 Regal Beloit Corporation, All Rights Reserved. MC017097E



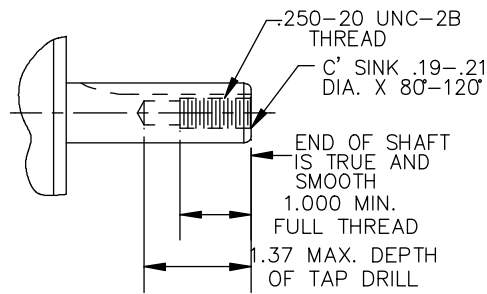
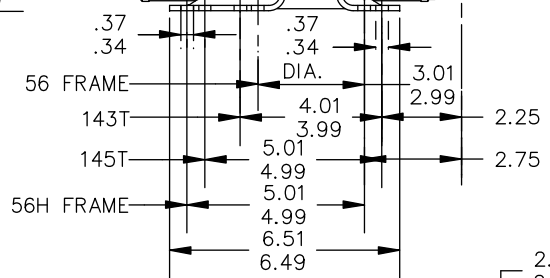
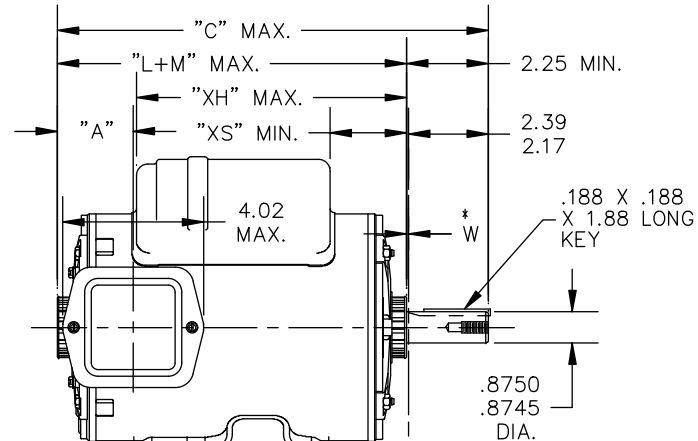
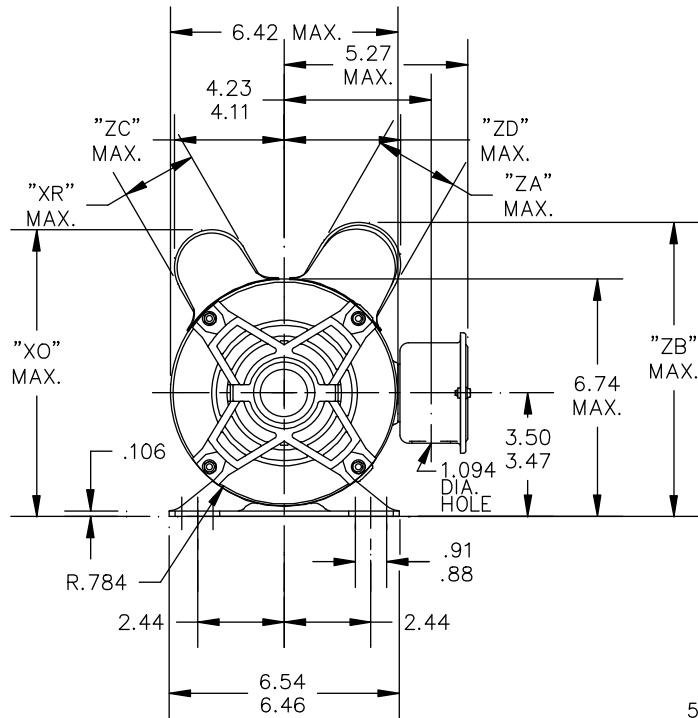
Nameplate Specifications

Output HP	2 Hp	Output KW	1.49 kW
Frequency	60 Hz	Voltage	115/230 V
Current	17.8,8.9 A	Speed	3450 rpm
Service Factor	1.15	Phases	1
Efficiency	83.3 %	Duty	CONT
Insulation Class	B	KVA Code	G
Frame	145T	Enclosure	TENV
Overload Protector	AUTO	Ambient Temperature	40 °C
Drive End Bearing Size	6205	Opp Drive End Bearing Size	6203
UL	Recognized	CSA	Yes
CE	N		

Technical Specifications

Electrical Type	Capacitor Start Capacitor Run(CSCR)	Starting Method	SM
Poles	2	Rotation	CCW/CW
Mounting	WB	Motor Orientation	ANY
Drive End Bearing	BALL	Opp Drive End Bearing	BALL
Frame Material	Rolled Steel	Overall Length	12.28 in
Frame Length	7.68 in	Shaft Diameter	0.88 in
Shaft Extension	2.25 in		

52A109620




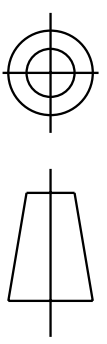
ENLARGED VIEW OF SHAFT EXTENSION

*W IS A VARIABLE CLEARANCE DUE TO VARIATIONS IN PARTS AND ASSEMBLY

ALL DIMENSIONS ARE IN INCHES

2	KCR	49	143T 145T	12.28	10.01	8.19	8.16	2.10	2.57	2.40	8.39	3.14	3.33	2.18	7.68
1	KCR	49	143T 145T	13.69	11.32	8.28	8.16	2.10	2.59	2.72	8.78	3.14	3.43	2.93	8.99
P	TYPE	RBC SIZE	NEMA FR.	"C"	"L+M"	"XH"	"XO"	"XR"	"XS"	"ZA"	"ZB"	"ZC"	"ZD"	"A" MAX.	MIN. SHELL

				TOLERANCES UNLESS SPECIFIED		 REGAL-BELOIT CORPORATION				DRAWN MK 05/13/94		
				DEC.	INCHES					CHK		
				.X	±0.1	TITLE				APPD M.A.M 05/13/94		
				.XX	±0.02					SCALE 1=1		
4	REDRAWN IN DRAFT SIGHT NO CHANGES	UD	10/18/12	PKG	.XXX	±0.005	OUTLINE TENV- WELDED BASE				REF	
3	TAPPING ADDED PER ISO9-1251	AT	04/03/09		.XXXX	±0.0005					MAT'L.	
NO.	REVISION	BY & DATE	CHK	ANG	±1.0	FINISH	3 of 4				PREV	



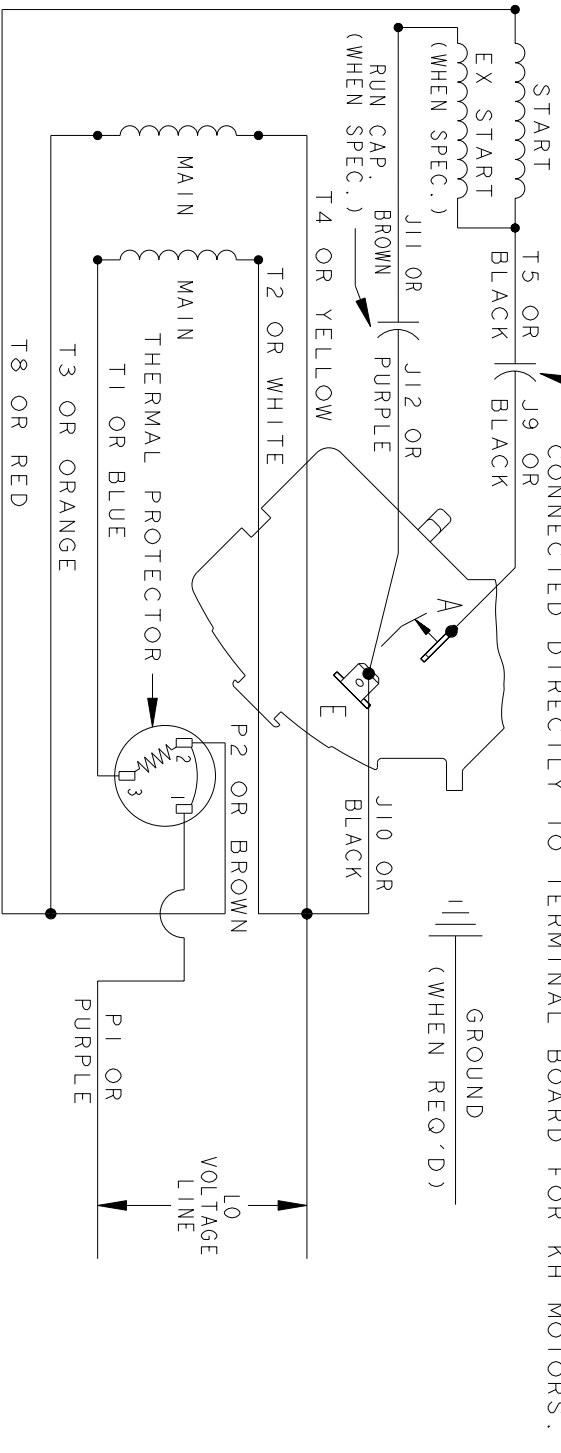
THIRD ANGLE PROJECTION

REVISIONS

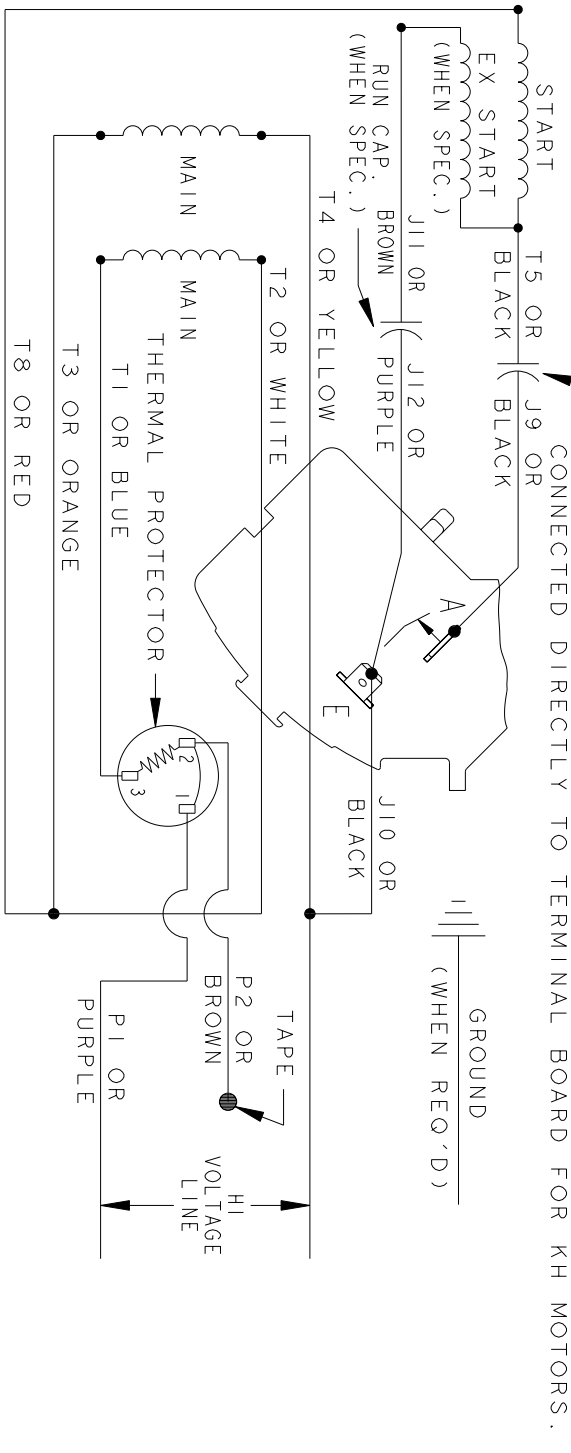
REV.	DESCRIPTION	DATE	APPROVED
7	UPDATED FORMAT	01/05/06	MAM

CCW/CW ROTATION - DUAL VOLTAGE
 TYPE KC, KH OR KCR - WITH THERMAL PROTECTOR

CAPACITOR AS SHOWN FOR KC MOTORS ONLY. LEAD T5 BLACK CONNECTED DIRECTLY TO TERMINAL BOARD FOR KH MOTORS.



CAPACITOR AS SHOWN FOR KC MOTORS ONLY. LEAD T5 BLACK CONNECTED DIRECTLY TO TERMINAL BOARD FOR KH MOTORS.



NOTE#1 - TO REVERSE ROTATION, INTERCHANGE T8 RED AND J10 BLACK LEADS.
 NOTE#2 - WHEN MORE THAN ONE CAPACITOR IS USED, CONNECT IN PARALLEL.
 NOTE#3 - 115D958ABP5 - HIGH CURRENT CONTACTS.

SWITCH (C) - 115D958ABP5, SWITCH (H) - 115D958AA (USE 115D958DA FOR EP)

REF. DIAG. - 113A327, 119A9352 & 52A102102 CONNECTION LABEL - 52X332912

SIGNATURES		DATE
MODEL	M.D.P.	06/29/87
DETAIL		
CHECKED		
ENGRG		
MFG		
QUALITY		
ISSUED	M.D.P.	12/11/97
APPLIED PRACTICES		
DIMENSIONS ARE IN INCHES		
MATERIAL	SOLID MODEL: 52A105383BA	



REGAL-BELOTT CORPORATION

TITLE CONNECTION DIAGRAM

FME: 30 FRAME SWITCH REDESIGN

52A105383BA

SIZE DRAWING	A	SCALE: 1.000	REF. No.:		SHEET 1 of 1
--------------	---	--------------	-----------	--	--------------