

# PRODUCT INFORMATION PACKET

Modal No: 5KCR49ZN8061T  
Catalog No: C1275  
3,3450,TENV,145T,3/60/230  
Aeration Fan



Regal and Marathon are trademarks of Regal Beloit Corporation or one of its affiliated companies.  
©2017 Regal Beloit Corporation, All Rights Reserved. MC017097E



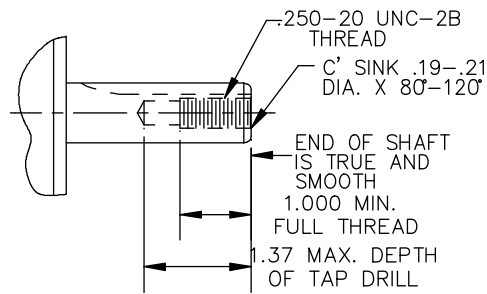
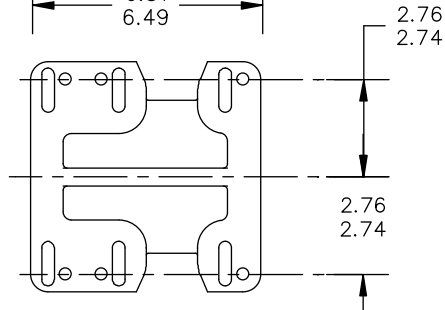
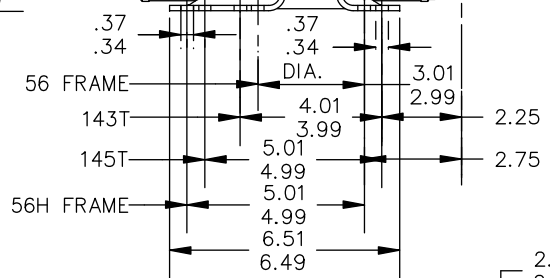
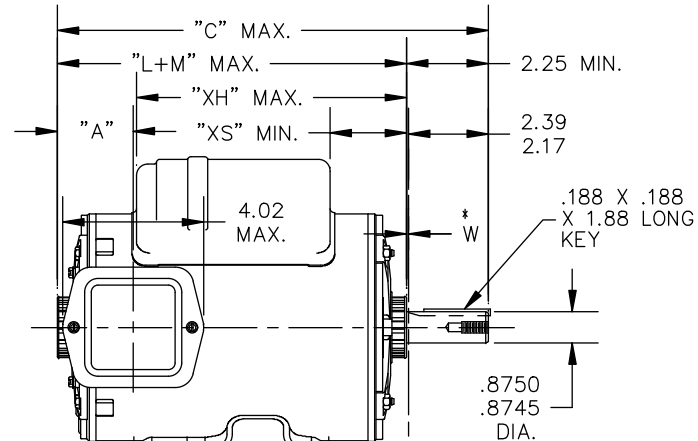
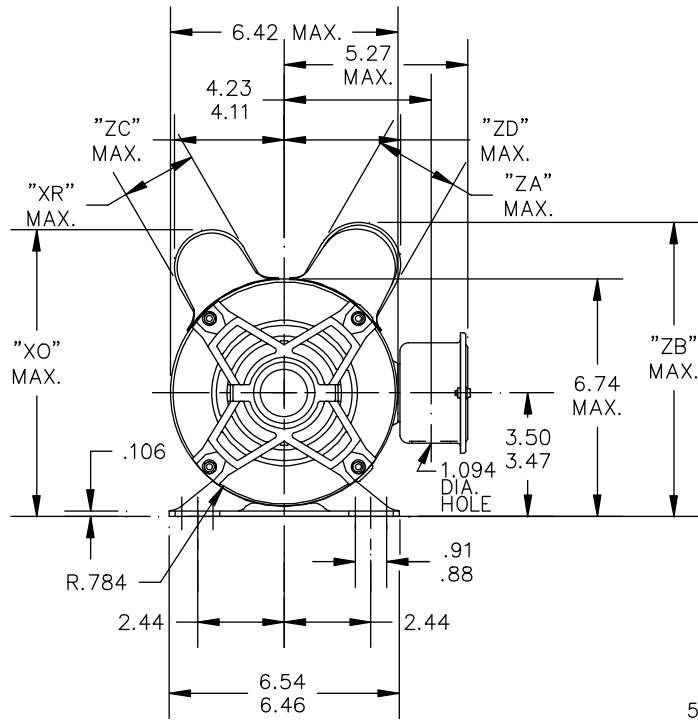
## Nameplate Specifications

Output HP	<b>3 Hp</b>	Output KW	<b>2.24 kW</b>
Frequency	<b>60 Hz</b>	Voltage	<b>230 V</b>
Current	<b>13.2 A</b>	Speed	<b>3450 rpm</b>
Service Factor	<b>1.15</b>	Phases	<b>1</b>
Efficiency	<b>79 %</b>	Duty	<b>CONT</b>
Insulation Class	<b>B</b>	KVA Code	<b>G</b>
Frame	<b>145T</b>	Enclosure	<b>TENV</b>
Overload Protector	<b>AUTO</b>	Ambient Temperature	<b>40 °C</b>
Drive End Bearing Size	<b>6205</b>	Opp Drive End Bearing Size	<b>6203</b>
UL	<b>Recognized</b>	CSA	<b>Yes</b>
CE	<b>N</b>		

## Technical Specifications

Electrical Type	<b>Capacitor Start Capacitor Run(CSCR)</b>	Starting Method	<b>SM</b>
Poles	<b>2</b>	Rotation	<b>CCW/CW</b>
Mounting	<b>WB</b>	Motor Orientation	<b>ANY</b>
Drive End Bearing	<b>BALL</b>	Opp Drive End Bearing	<b>BALL</b>
Frame Material	<b>Rolled Steel</b>	Overall Length	<b>13.69 in</b>
Frame Length	<b>8.99 in</b>	Shaft Diameter	<b>0.88 in</b>
Shaft Extension	<b>2.25 in</b>		

52A109620



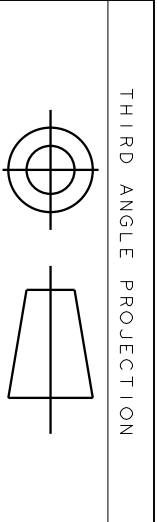
ENLARGED VIEW OF SHAFT EXTENSION

\*W IS A VARIABLE CLEARANCE DUE TO VARIATIONS IN PARTS AND ASSEMBLY

ALL DIMENSIONS ARE IN INCHES

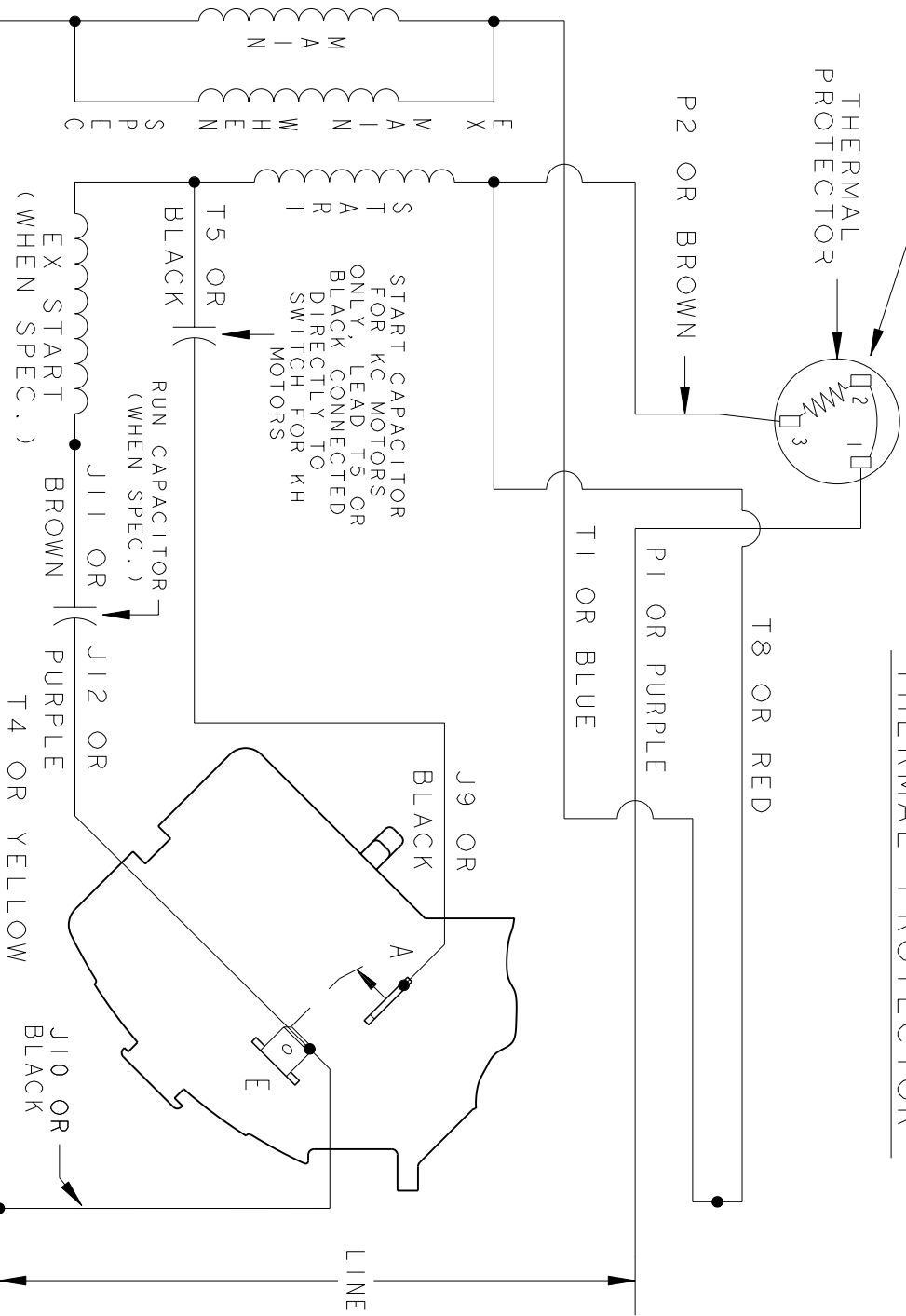
2	KCR	49	143T 145T	12.28	10.01	8.19	8.16	2.10	2.57	2.40	8.39	3.14	3.33	2.18	7.68
1	KCR	49	143T 145T	13.69	11.32	8.28	8.16	2.10	2.59	2.72	8.78	3.14	3.43	2.93	8.99
P	TYPE	RBC SIZE	NEMA FR.	"C"	"L+M"	"XH"	"XO"	"XR"	"XS"	"ZA"	"ZB"	"ZC"	"ZD"	"A" MAX.	MIN. SHELL

				TOLERANCES UNLESS SPECIFIED		<b>REGAL-BELOIT CORPORATION</b>		DRAWN MK 05/13/94	
				DEC.	INCHES			CHK	
				.X	±0.1	TITLE		SCALE 1=1	
				.XX	±0.02	OUTLINE		REF	
4	REDRAWN IN DRAFT SIGHT NO CHANGES	UD	10/18/12	PKG	.XXX	±0.005	TENV- WELDED BASE		FMF
3	TAPPING ADDED PER ISO9-1251	AT	04/03/09		.XXXX	±0.0005	MAT'L.		PREV
NO.	REVISION	BY & DATE	CHK	ANG	±1.0	FINISH	3 of 4		



REV.	DESCRIPTION	DATE	APPROVED
9	UPDATED FORMAT	12/02/05	MAM

- CCW/CW ROTATION -  
 - SINGLE VOLTAGE -  
 TYPE KC, KCR OR KH WITH  
 THERMAL PROTECTOR



START CAPACITOR  
 FOR KC MOTORS  
 ONLY, LEAD T5 OR  
 BLACK CONNECTED  
 DIRECTLY TO  
 SWITCH FOR KH  
 MOTORS

NOTE #1 - TO REVERSE ROTATION INTERCHANGE BLUE (T1) AND  
 YELLOW (T4) LEADS.

NOTE #2 - WHEN MORE THAN ONE CAPACITOR IS USED CONNECT IN  
 PARALLEL.

REF. DIAG. - 113A329

CONNECTION LABEL - 52X332919

SIGNATURES	DATE
MODEL M.D. PAPE	06/29/87
DETAIL	
CHECKED	
ENGRG	
MFG	
QUALITY	
ISSUED	M.D.P. 12/02/94
APPLIED PRACTICES	
DIMENSIONS ARE IN INCHES	
MATERIAL	SOLID MODEL: 52A105379BA



REGAL-BELOIT CORPORATION

CONNECTION DIAGRAM

FME: 3-FR SWITCH REDESIGN

SCALE: 1.000	REF. No.:	SHEET 1 of 1
SIZE A	DRAWING	REV 9
52A105379BA		