

PRODUCT INFORMATION PACKET

Modal No: 5KH32DN3085
Catalog No: HG156
1/6,1800,DP,48Z,1/60/115
Fan and Blower



Regal and Marathon are trademarks of Regal Beloit Corporation or one of its affiliated companies.
©2017 Regal Beloit Corporation, All Rights Reserved. MC017097E



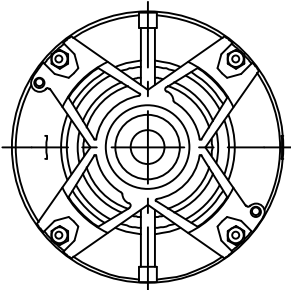
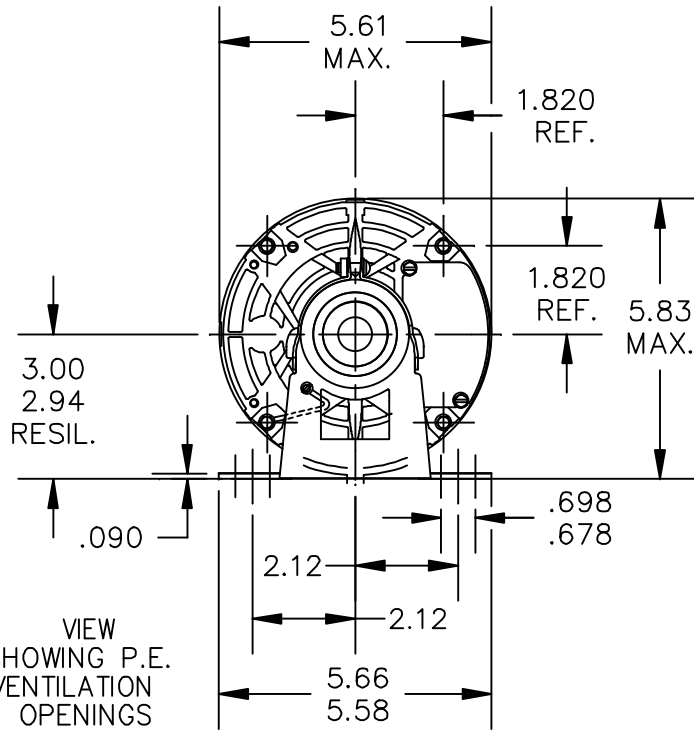
Nameplate Specifications

Output HP	0.17 Hp	Output KW	0.13 kW
Frequency	60 Hz	Voltage	115 V
Current	3.9 A	Speed	1725 rpm
Service Factor	1.35	Phases	1
Efficiency	49.6 %	Duty	CONT
Insulation Class	B	KVA Code	S
Frame	48Z	Enclosure	DP
Overload Protector	N/R	Ambient Temperature	40 °C
Drive End Bearing Size	6203	Opp Drive End Bearing Size	6203
UL	Recognized	CSA	Yes
CE	N		

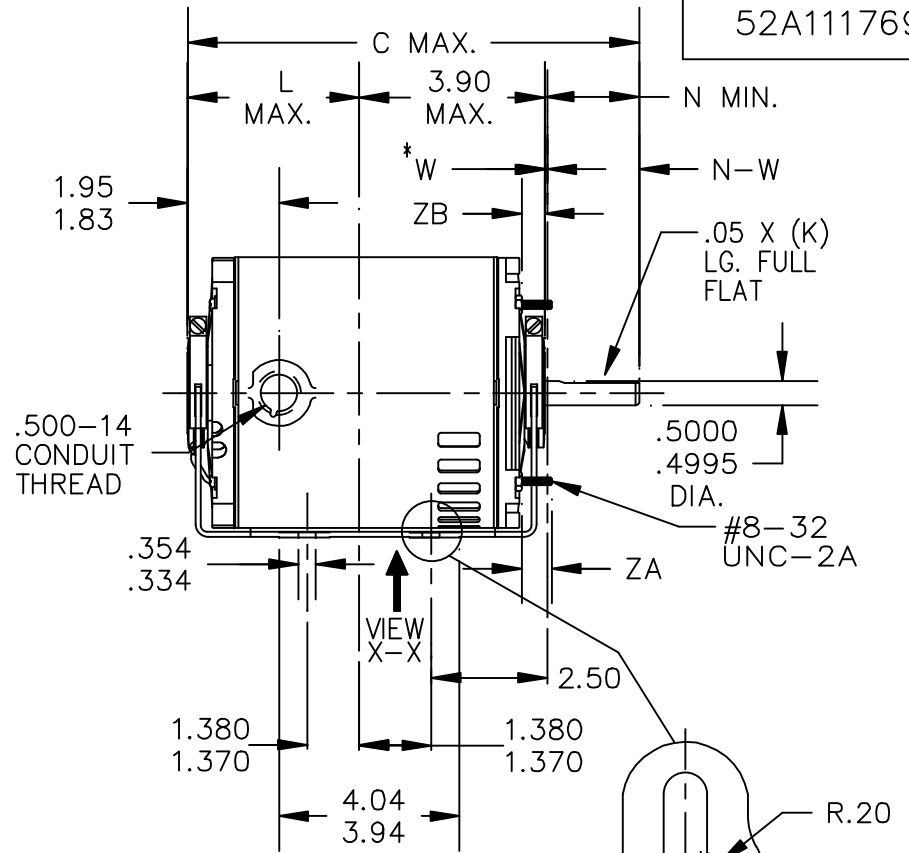
Technical Specifications

Electrical Type	Split Phase	Starting Method	SM
Poles	4	Rotation	CCW/CW
Mounting	RB	Motor Orientation	ANY
Drive End Bearing	BALL	Opp Drive End Bearing	BALL
Frame Material	Rolled Steel	Overall Length	9.32 in
Frame Length	5.16 in	Shaft Diameter	0.5 in
Shaft Extension	1.88 in	Thru-bolts Extension	0

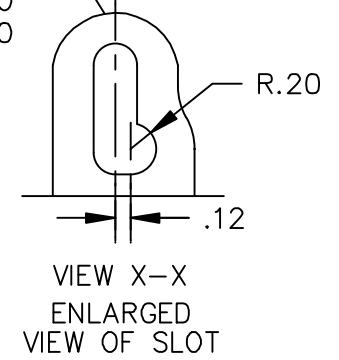
52A111769



VIEW SHOWING P.E. VENTILATION OPENINGS



VIEW X-X



VIEW X-X ENLARGED VIEW OF SLOT

W* IS A CLEARNCE DUE TO VARIATION IN PARTS AND ASSEMBLY.

6	KH	35	48	9.56	1.16	4.22	1.50	1.63/1.41	.55/.52	.50
5	KH	33	48Z	9.93	1.91	3.84	2.25	2.38/2.16	.55/.52	.90
4	KH	32	48	8.93	1.16	3.59	1.50	1.63/1.41	.55/.52	.62
3	KH	36	48	9.99	1.16	4.65	1.50	1.63/1.41	.55/.52	.50
2	KH	32	48Z	9.94	1.91	3.59	2.25	2.38/2.16	.55/.52	.62
1	KH	32	48Z	9.32	1.54	3.59	1.88	2.01/1.79	.55/.52	.62
P	TYPE	RBC SIZE	NEMA FR	C	K	L	N	N-W	ZB	ZA

TOLERANCES UNLESS SPECIFIED

DEC.	INCHES
------	--------

03	CHG GD LD FROM 4:30 TO 7:30 PER IS11-0510 & REDRAWN IN DRAFT SIGHT.	UD 09/24/12	PKG	.X	±0.1
02	DIMENSION ADDED PER IS07-2793	BM 11/15/07		.XXX	±0.005
01	UPDATED PER IS07-0144	MDU 02/20/07		.XXXX	±0.0005
NO.	REVISION	BY & DATE	CHK	ANG	±1.0



REGAL-BELOIT CORPORATION

TITLE	OUTLINE
	DRIP PROOF - RESIL. BASE
MAT'L.	
FINISH	3 of 4

DRAWN	MDU 02/02/07
CHK	
APPD	DS 02/02/07
SCALE	1=1
REF	
FMF	
PREV	

