

PRODUCT INFORMATION PACKET

Modal No: 5KH32DN5587X
Catalog No: 4725
1/4,1725,DP,48Y,1/60/115
Carbonator Pump



Regal and Marathon are trademarks of Regal Beloit Corporation or one of its affiliated companies.
©2017 Regal Beloit Corporation, All Rights Reserved. MC017097E

Nameplate Specifications

Output HP	0.25 Hp	Output KW	0.19 kW
Frequency	60 Hz	Voltage	115 V
Current	5 A	Speed	1725 rpm
Service Factor	1	Phases	1
Efficiency	52.5 %	Duty	CONT
Insulation Class	B	KVA Code	S
Frame	48Y	Enclosure	DP
Overload Protector	AUTO	Ambient Temperature	40 °C
Drive End Bearing Size	6203	Opp Drive End Bearing Size	6203
UL	Recognized	CSA	Yes
CE	N		

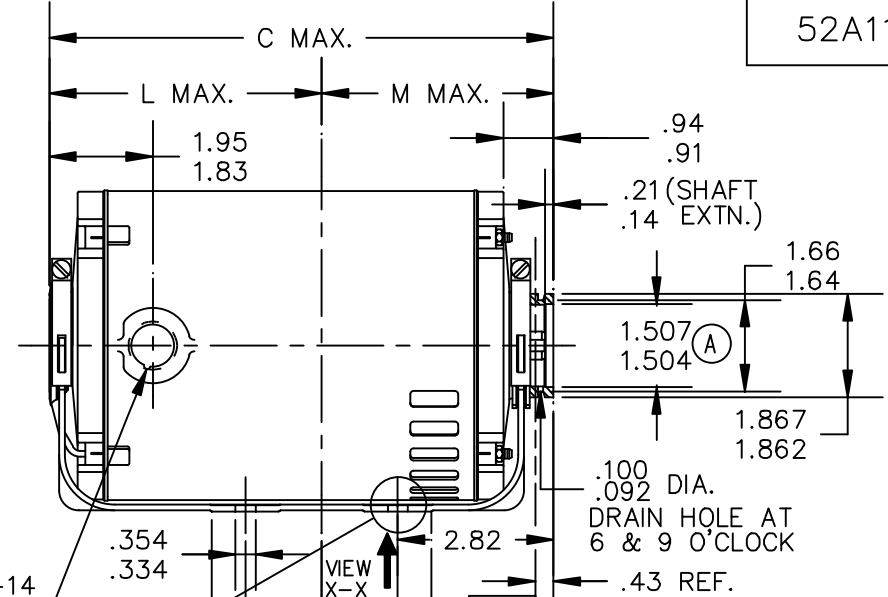
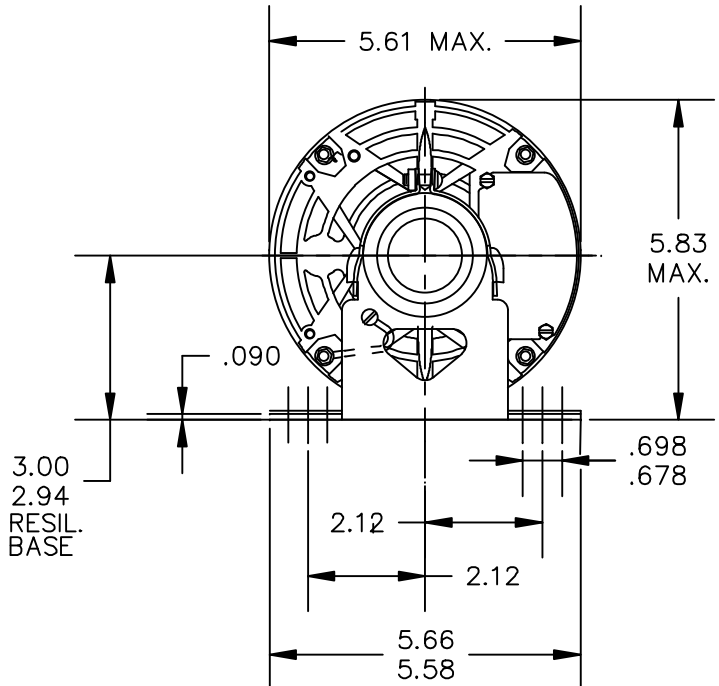
Technical Specifications

Electrical Type	Split Phase	Starting Method	SM
Poles	4	Rotation	CCW/CW
Mounting	RB	Motor Orientation	ANY
Drive End Bearing	BALL	Opp Drive End Bearing	BALL
Frame Material	Rolled Steel	Overall Length	7.79 in
Frame Length	5.16 in	Shaft Diameter	0.5 in
Shaft Extension	0.17 in		

52A113052

CONTROL SURFACES & DIMENSIONS

- (P) PROC.
- (E) ENG.
- (A) APPL.
- (R) REG.

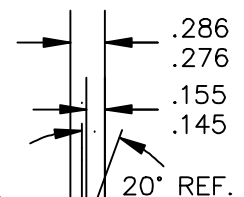


.500-14 CONDUIT THREAD

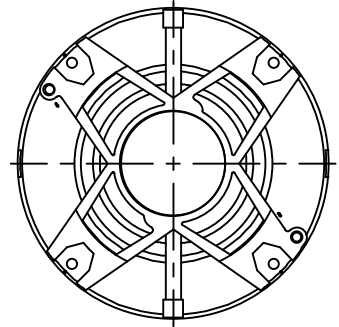
VIEW X-X



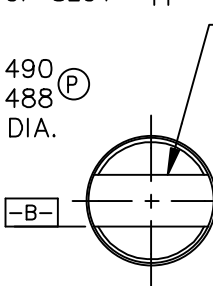
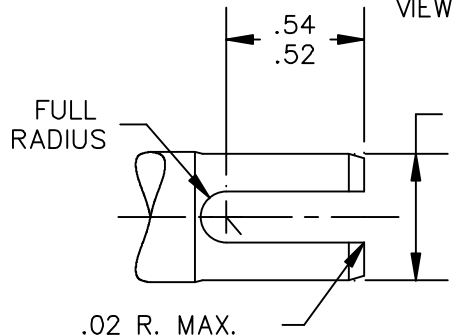
VIEW X-X ENLARGED VIEW OF SLOT



SHAFT CENTER LINE



VIEW SHOWING P.E. VENTILATION OPENINGS



///.004 -B-

(A) .200 (A) .196 (A) .004 -A- -C- (A)

◎ .004 -A-

⊥ .004 -A-

1	KH	32	48Y	7.79	3.55	4.28
P	TYPE	RBC SIZE	NEMA FR	C	L	M

TOLERANCES UNLESS SPECIFIED

DEC. INCHES

.X ±0.1

.XX ±0.02

.XXX ±0.005

.XXXX ±0.0005

ANG ±1.0



REGAL-BELOIT CORPORATION

DRAWN GD 10/25/05

CHK

APPD GD 10/25/05

SCALE 1=1

REF

FMF

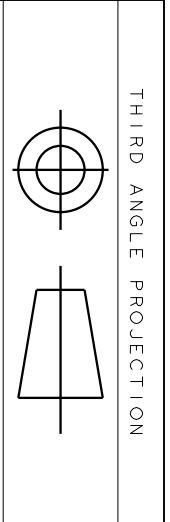
PREV

NO.	REVISION	BY & DATE	CHK	ANG	FINISH
3	PART # 2 DELETED AS PER IS12-4648	UD 9/26/12	KK	.XX	±0.02
2	CHG GD LD FROM 4:30 TO 7:30 PER IS11-0510.	UD 9/24/12	PKG	.XXX	±0.005
1	ADDED CORE SET TO PART #2.	KK 13/03/12		.XXXX	±0.0005

TITLE OUTLINE
CARBONATOR PUMP - OPEN - RESIL. BASE

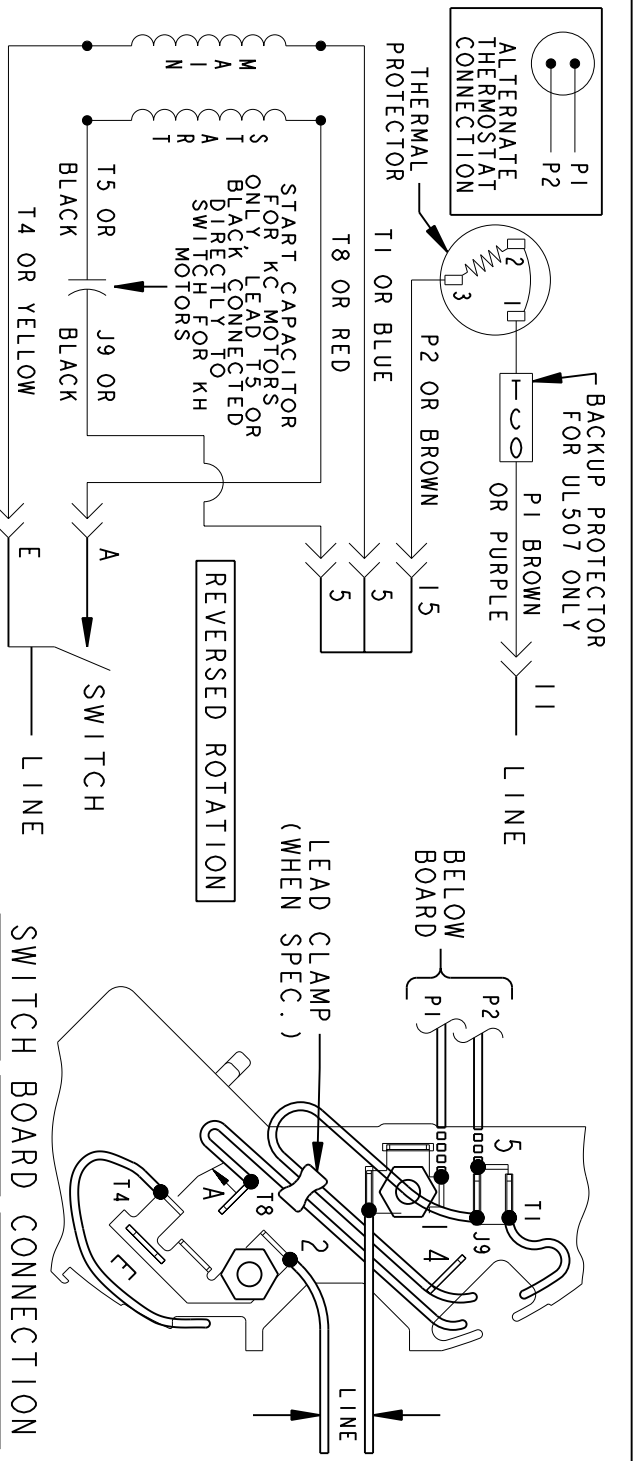
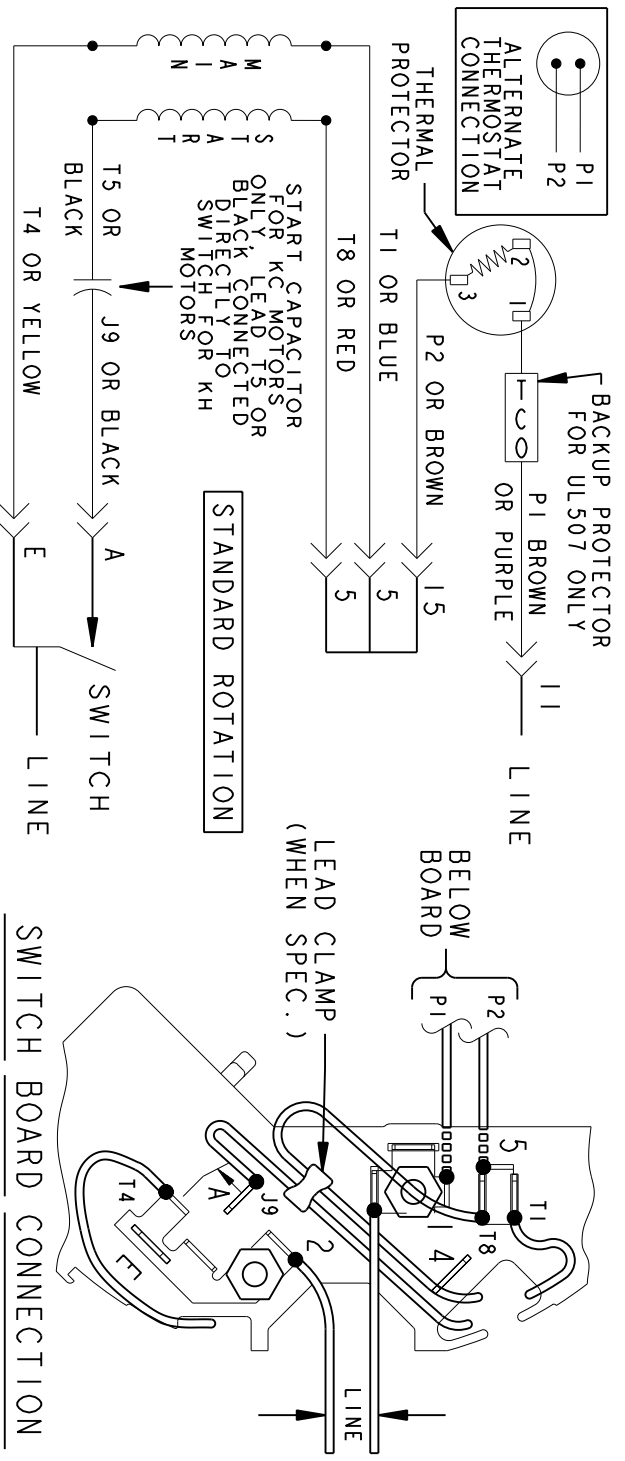
MAT'L.

3 of 4



REV.	DESCRIPTION	DATE	APPROVED
6	UPDATED FORMAT	12/01/05	MAM

EITHER ROTATION-SINGLE VOLTAGE-TYPE KC OR KH-WITH THERMAL PROTECTOR



NOTE #1 - TO REVERSE ROTATION INTERCHANGE RED (T8) AND BLACK (J9-KC OR T5-KH) LEADS.
 NOTE #2 - WHEN MORE THAN ONE CAPACITOR IS USED CONNECT IN PARALLEL.

SWITCH (C) - 115D958AB REF. DIAG. - 121A851 CONN. LABEL - 52X332048

SIGNATURES	DATE
MODEL M.D.PAPE	06/29/87
DETAIL	
CHECKED	
ENGRG	
MFG	
QUALITY	
ISSUED	M.D.P. 03/08/00
SOLID MODEL: 52A105379AA	

REGAL-BELOIT CORPORATION

REGAL-BELOIT

CONNECTION DIAGRAM

FMF - 30 FR SWITCH REDESIGN

SCALE: 1.000 REF. No.:

52A105379AA

REV 6

SHEET 1 of 1