

PRODUCT INFORMATION PACKET

Modal No: 5KH32EN79
Catalog No: HG178
1/6, 1725, TEFC, 48, 1/60/115
Fan and Blower



Regal and Marathon are trademarks of Regal Beloit Corporation or one of its affiliated companies.
©2017 Regal Beloit Corporation, All Rights Reserved. MC017097E



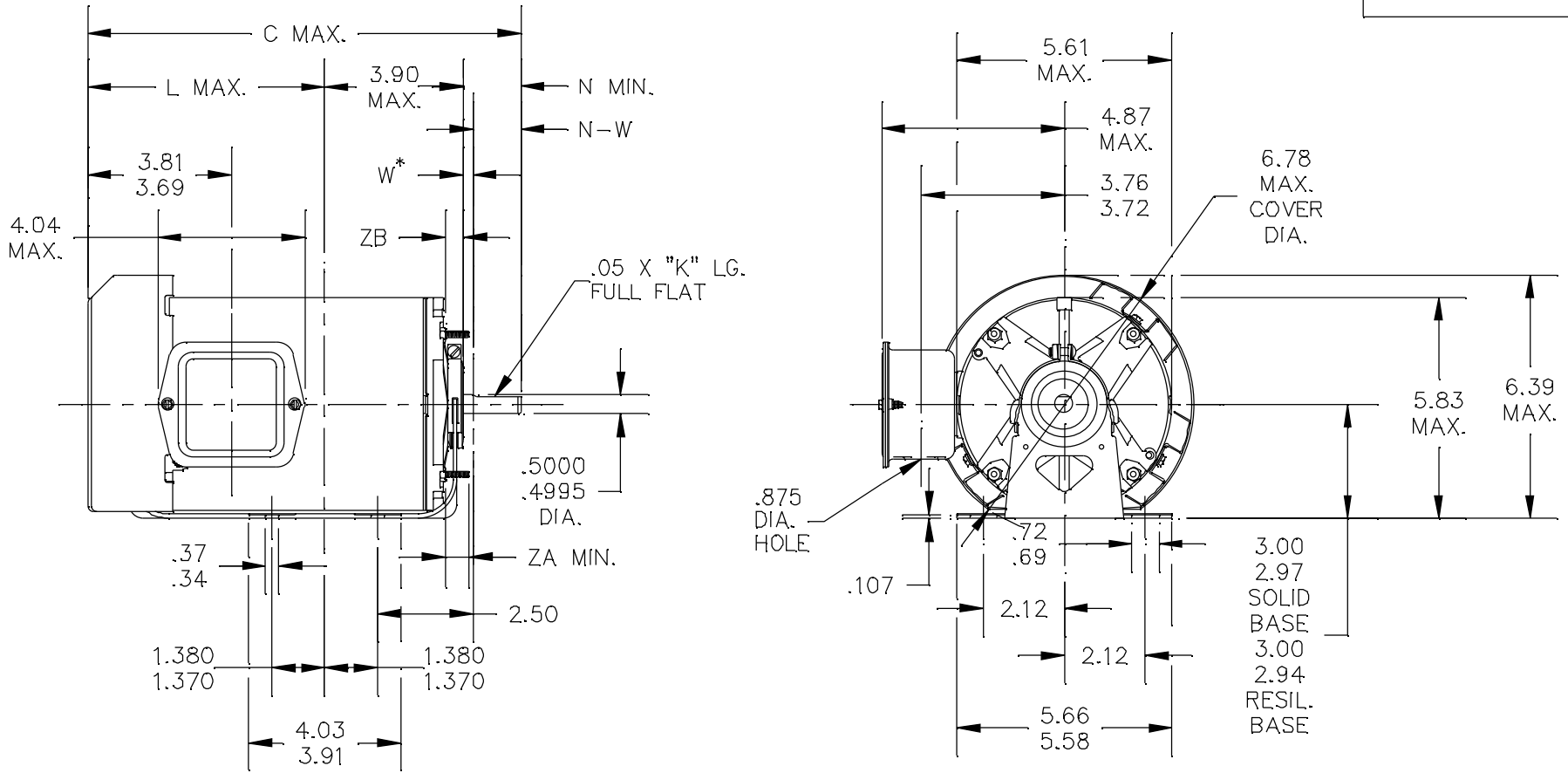
Nameplate Specifications

Output HP	0.17 Hp	Output KW	0.13 kW
Frequency	60 Hz	Voltage	115 V
Current	4 A	Speed	1725 rpm
Service Factor	1	Phases	1
Efficiency	54.1 %	Duty	CONT
Insulation Class	B	KVA Code	T
Frame	48	Enclosure	TEFC
Overload Protector	N/R	Ambient Temperature	40 °C
Drive End Bearing Size	6203	Opp Drive End Bearing Size	6203
UL	Recognized	CSA	Yes
CE	N		

Technical Specifications

Electrical Type	Split Phase	Starting Method	SM
Poles	4	Rotation	CCW/CW
Mounting	RB	Motor Orientation	ANY
Drive End Bearing	BALL	Opp Drive End Bearing	BALL
Frame Material	Rolled Steel	Overall Length	9.92 in
Frame Length	5.16 in	Shaft Diameter	0.5 in
Shaft Extension	1.5 in	Thru-bolts Extension	0

52A102047



W* IS A CLEARANCE DUE TO VARIATION IN PARTS AND ASSEMBLY

5	KH	37	48	11.38	6.00	1.50	1.16	1.63/1.41	.62	.55/.52	10	KH	32	48Z	10.92	4.54	2.50	2.16	2.63/2.41	.62	.55/.52
4	KH	36	48	10.98	5.60	1.50	1.16	1.63/1.41	.62	.55/.52	9	KH	33	48	10.17	4.79	1.50	1.16	1.63/1.41	.78	.55/.52
3	KH	35	48	10.55	5.17	1.50	1.16	1.63/1.41	.62	.55/.52	8	KH	36	48Z	11.06	5.60	1.88	1.54	2.01/1.79	.62	.55/.52
2	KH	33	48	10.17	4.79	1.50	1.16	1.63/1.41	.62	.55/.52	7	KH	35	48Z	11.55	5.17	2.50	2.16	2.63/2.41	.62	.55/.52
1	KH	32	48	9.92	4.54	1.50	1.16	1.63/1.41	.62	.55/.52	6	KH	38	48	11.98	6.60	1.50	1.16	1.63/1.41	.62	.55/.52
P	TYPE	RBC SIZE	NEMA FR.	C	L	N	K	N-W	ZA	ZB	P	TYPE	RBC SIZE	NEMA FR.	C	L	N	K	N-W	ZA	ZB

TOLERANCES UNLESS SPECIFIED

DEC. INCHES



REGAL-BELOIT CORPORATION

DRAWN FPK 12/16/96

CHK FPK 12/13/96

APPD AAU 12/12/96

SCALE 1=1

REF

FMF

PREV

15 REDRAWN IN DRAFT SIGHT-NO CHANGES

UD 10/17/12

PKG .X

±0.1

14 UPDATED AS PER IS 07-0652

BL 04/27/07

.XX

±0.02

13 CHG TO RBC FORMAT PER IS05-1777

DS 12/22/05

.XXX

±0.005

12 REDRAWN BY 2M SOFTWARE CO

AAU 02/12/96

.XXXX

±0.0005

NO. REVISION

BY & DATE

CHK ANG

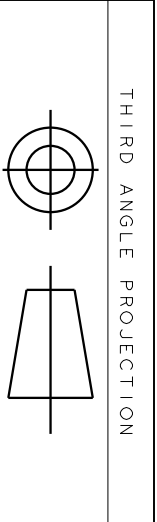
±1.0

MAT'L.

FINISH

TITLE OUTLINE
FORM N-TOTALLY ENCLCOUTBOARD FAN-SOLID OR RESI

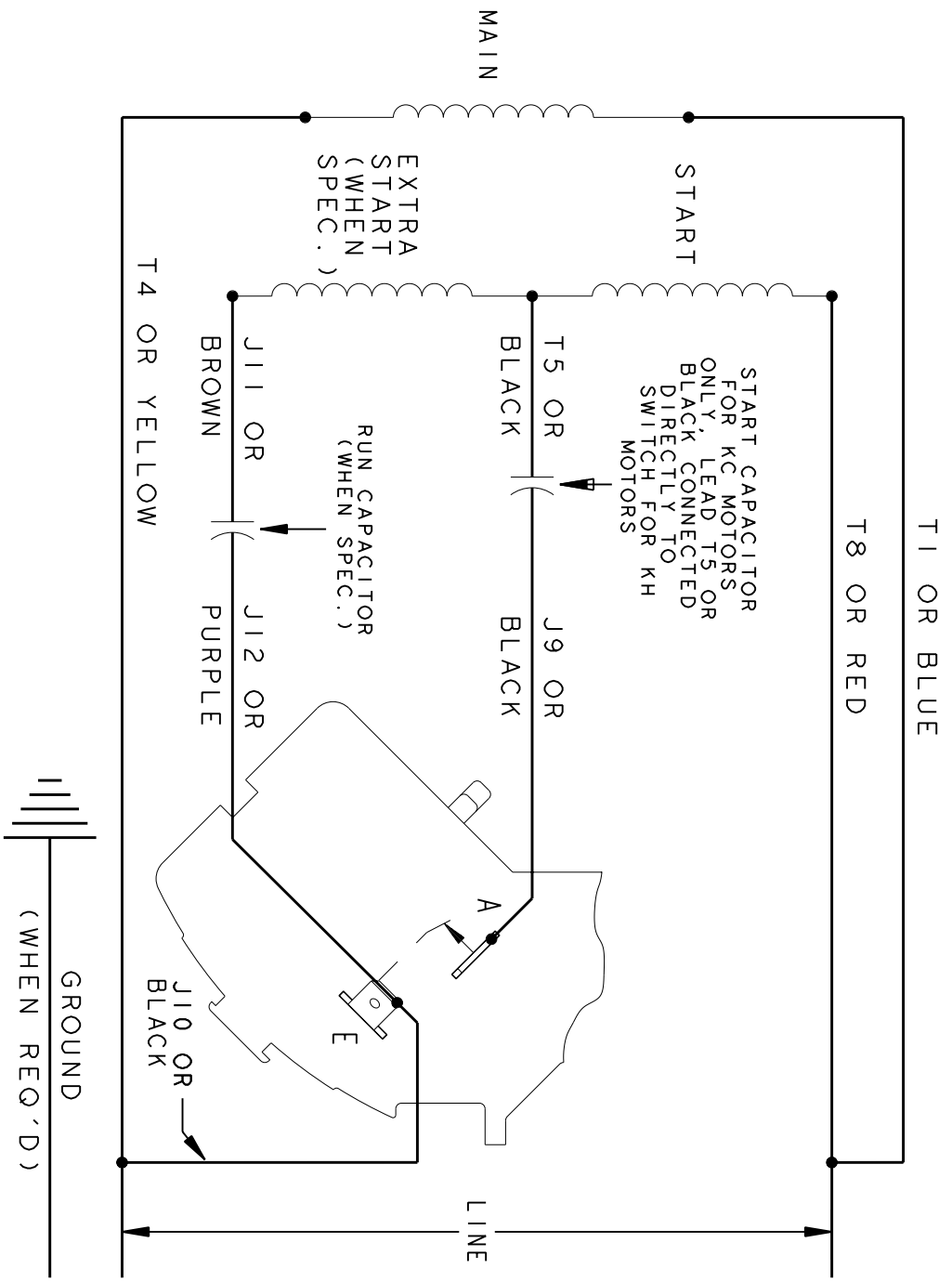
3 of 4



REV.	DESCRIPTION	DATE	APPROVED
6	UPDATED FORMAT	11/11/05	MAM

REVISIONS

CCW/CW ROTATION - SINGLE VOLTAGE
TYPE KC, KCR OR KH



NOTE #1 - TO REVERSE ROTATION INTERCHANGE BLUE (T1) AND YELLOW (T4) LEADS.
NOTE #2 - WHEN MORE THAN ONE CAPACITOR IS USED CONNECT IN PARALLEL.

REF. DIAG. - 113A328		SWITCH (C) - 115D958AA	
CONNECTION LABEL - 52X332919		REGAL-BELOIT CORPORATION	
SIGNATURES		DATE	
MODEL	M.D. PAPER	06/29/87	
DETAIL			
CHECKED			
ENGRG			
MFG			
FOR ADDITIONAL INFO REFER TO:	QUALITY		
APPLIED PRACTICES	ISSUED	M.D.P.	01/20/99
DIMENSIONS ARE IN INCHES	SOLID MODEL: 52A105377BA		
TITLE		REGAL-BELOIT CORPORATION	
FME: 30 FRAME SWITCH REDESIGN		CONNECTION DIAGRAM	
SIZE	DRAWING	SCALE	REF. No.
A		1.000	
52A105377BA		SHEET 1 of 1	