

PRODUCT INFORMATION PACKET

Modal No: 5KH32FN3120T
Catalog No: 4680
1/4,1725,DP,48Z,1/60/115/208-230
Fan and Blower



Regal and Marathon are trademarks of Regal Beloit Corporation or one of its affiliated companies.
©2017 Regal Beloit Corporation, All Rights Reserved. MC017097E



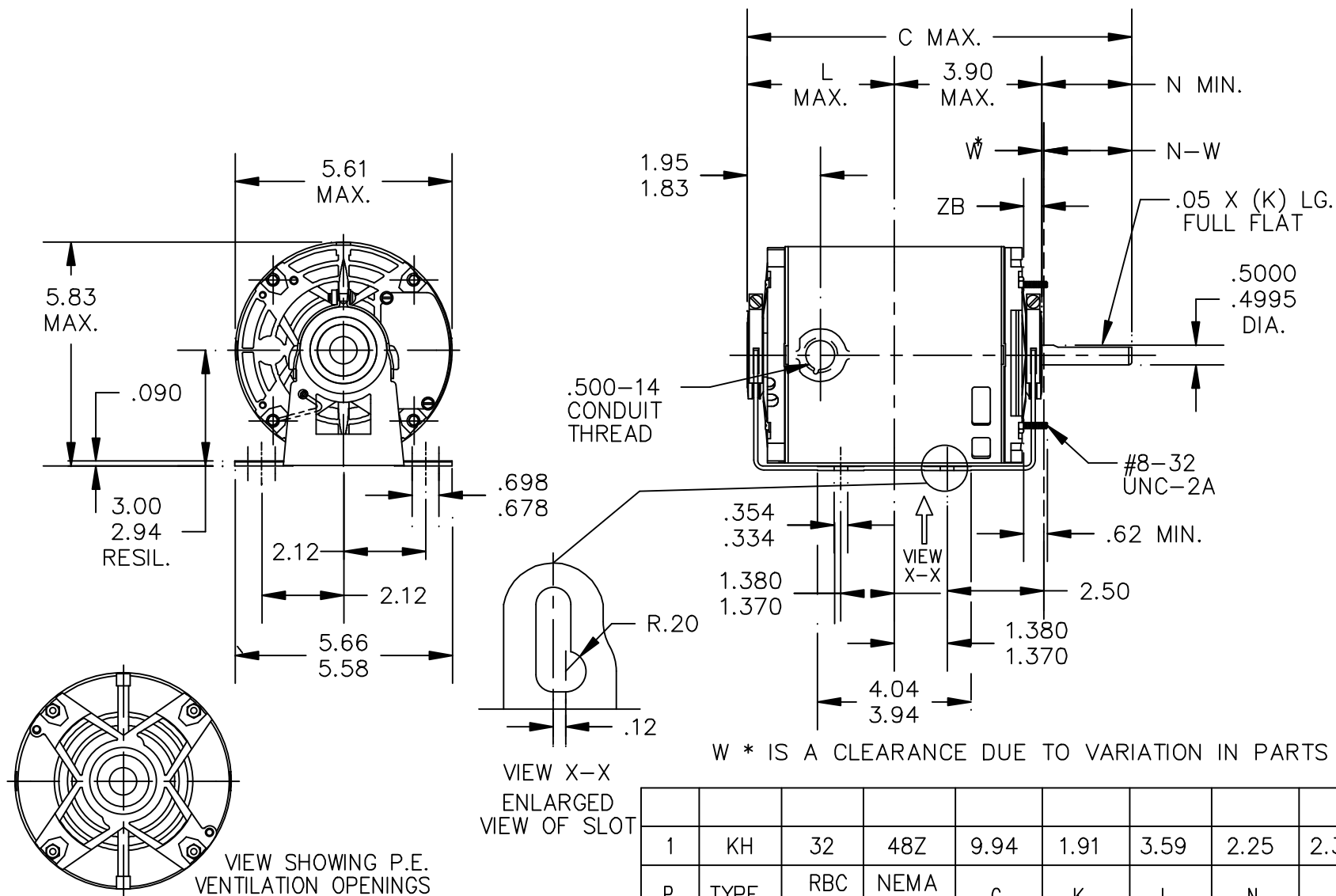
Nameplate Specifications

| | | | |
|------------------------|-------------------|----------------------------|----------------------|
| Output HP | 0.25 Hp | Output KW | 0.19 kW |
| Frequency | 60 Hz | Voltage | 115/208-230 V |
| Current | 5.0,2.5 A | Speed | 1725 rpm |
| Service Factor | 1.35 | Phases | 1 |
| Efficiency | 55 % | Duty | CONT |
| Insulation Class | B | KVA Code | P |
| Frame | 48Z | Enclosure | DP |
| Overload Protector | AUTO | Ambient Temperature | 40 °C |
| Drive End Bearing Size | 6203 | Opp Drive End Bearing Size | 6203 |
| UL | Recognized | CSA | Yes |
| CE | N | | |

Technical Specifications

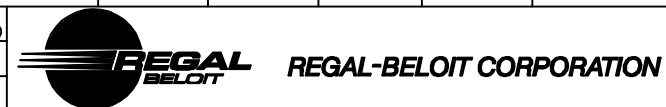
| | | | |
|-------------------|---------------------|-----------------------|----------------|
| Electrical Type | Split Phase | Starting Method | SM |
| Poles | 4 | Rotation | CCW/CW |
| Mounting | RB | Motor Orientation | ANY |
| Drive End Bearing | BALL | Opp Drive End Bearing | BALL |
| Frame Material | Rolled Steel | Overall Length | 9.94 in |
| Frame Length | 5.16 in | Shaft Diameter | 0.5 in |
| Shaft Extension | 1.91 in | Thru-bolts Extension | 0 |

52A111791



| | | | | | | | | | |
|---|------|----------|---------|------|------|------|------|-----------|---------|
| 1 | KH | 32 | 48Z | 9.94 | 1.91 | 3.59 | 2.25 | 2.38/2.16 | .55/.52 |
| P | TYPE | RBC SIZE | NEMA FR | C | K | L | N | N-W | ZB |

| | | | | | | | |
|-----|---|--------------|-----|-----------------------------|---------|--------------------|--|
| | | | | TOLERANCES UNLESS SPECIFIED | | DRAWN PKG 09/01/07 | |
| | | | | DEC. | INCHES | CHK | |
| | | | | .X | ±0.1 | APPD PKG 09/01/07 | |
| | | | | .XX | ±0.02 | SCALE 1=1 | |
| 01 | CHG GD LD FROM 4.30 TO 7.30 PER IS11-0510 | PVR 09/24/12 | PKG | .XXX | ±0.005 | REF | |
| | & REDRAWN IN DRAFT SIGHT | | | .XXXX | ±0.0005 | FMF | |
| NO. | REVISION | BY & DATE | CHK | ANG | ±1.0 | PREV | |



TITLE: OUTLINE
DRIP PROOF RESIL BASE

MAT'L. FINISH 3 of 4

