

# PRODUCT INFORMATION PACKET

Modal No: 5KH32FN5586X  
Catalog No: 4406  
1/3,1725,DP,48Y,1/60/115  
Carbonator Pump



Regal and Marathon are trademarks of Regal Beloit Corporation or one of its affiliated companies.  
©2017 Regal Beloit Corporation, All Rights Reserved. MC017097E



## Nameplate Specifications

Output HP	<b>0.33 Hp</b>	Output KW	<b>0.25 kW</b>
Frequency	<b>60 Hz</b>	Voltage	<b>115 V</b>
Current	<b>5.6 A</b>	Speed	<b>1725 rpm</b>
Service Factor	<b>1.15</b>	Phases	<b>1</b>
Efficiency	<b>57.3 %</b>	Duty	<b>CONT</b>
Insulation Class	<b>B</b>	KVA Code	<b>N</b>
Frame	<b>48Y</b>	Enclosure	<b>DP</b>
Overload Protector	<b>AUTO</b>	Ambient Temperature	<b>40 °C</b>
Drive End Bearing Size	<b>6203</b>	Opp Drive End Bearing Size	<b>6203</b>
UL	<b>Recognized</b>	CSA	<b>Yes</b>
CE	<b>N</b>		

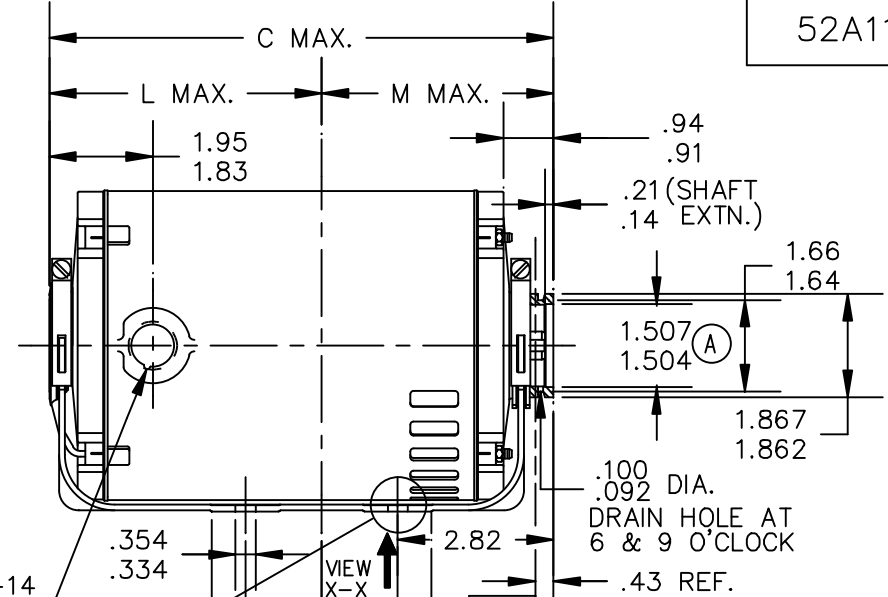
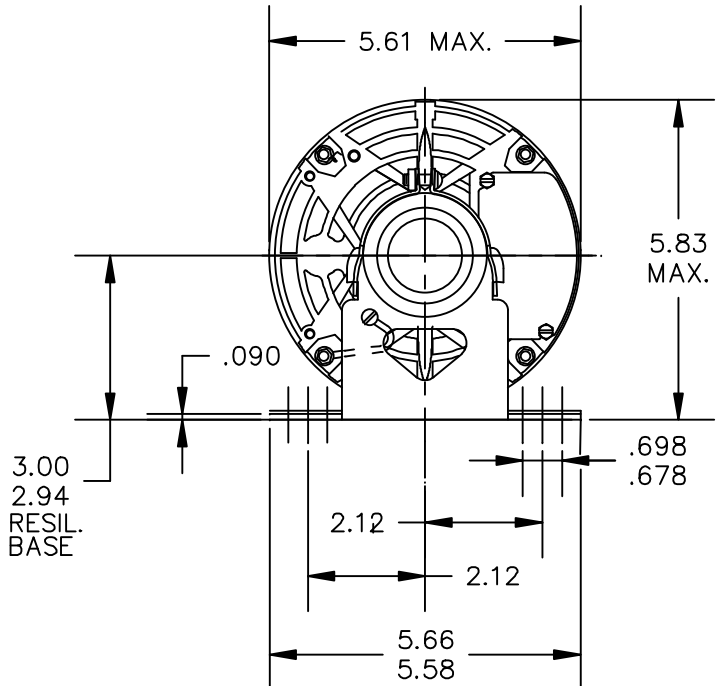
## Technical Specifications

Electrical Type	<b>Split Phase</b>	Starting Method	<b>SM</b>
Poles	<b>4</b>	Rotation	<b>CCW/CW</b>
Mounting	<b>RB</b>	Motor Orientation	<b>ANY</b>
Drive End Bearing	<b>BALL</b>	Opp Drive End Bearing	<b>BALL</b>
Frame Material	<b>Rolled Steel</b>	Overall Length	<b>7.79 in</b>
Frame Length	<b>5.16 in</b>	Shaft Diameter	<b>0.5 in</b>
Shaft Extension	<b>0.17 in</b>		

52A113052

CONTROL SURFACES & DIMENSIONS

- (P) PROC.
- (E) ENG.
- (A) APPL.
- (R) REG.

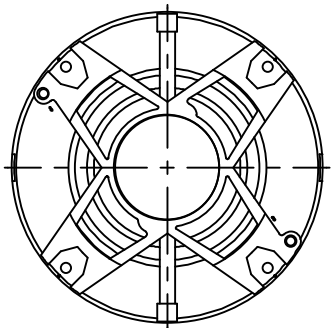
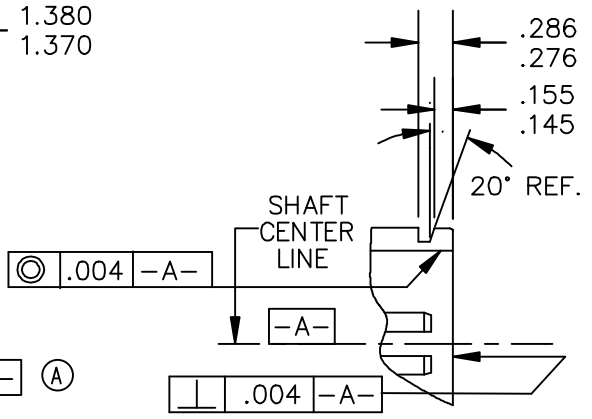


.500-14 CONDUIT THREAD

VIEW X-X

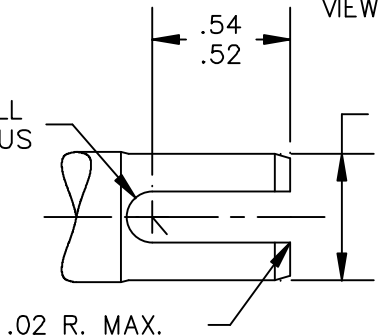


VIEW X-X ENLARGED VIEW OF SLOT



VIEW SHOWING P.E. VENTILATION OPENINGS

FULL RADIUS



1	KH	32	48Y	7.79	3.55	4.28
P	TYPE	RBC SIZE	NEMA FR	C	L	M

TOLERANCES UNLESS SPECIFIED  
 DEC. INCHES  
 .X ±0.1

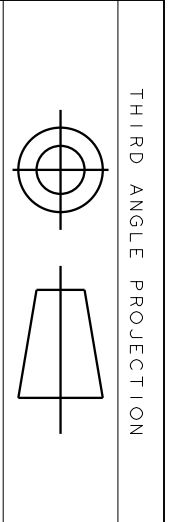


REGAL-BELOIT CORPORATION

DRAWN GD 10/25/05  
 CHK  
 APPD GD 10/25/05

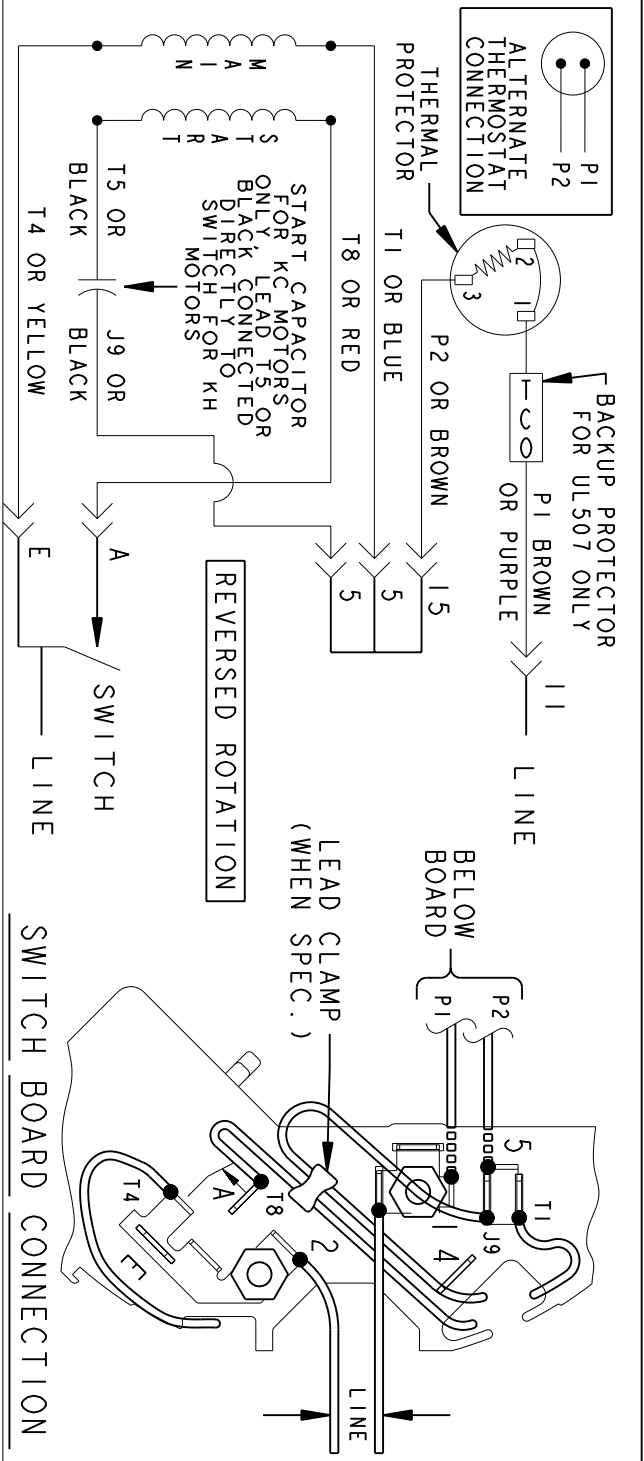
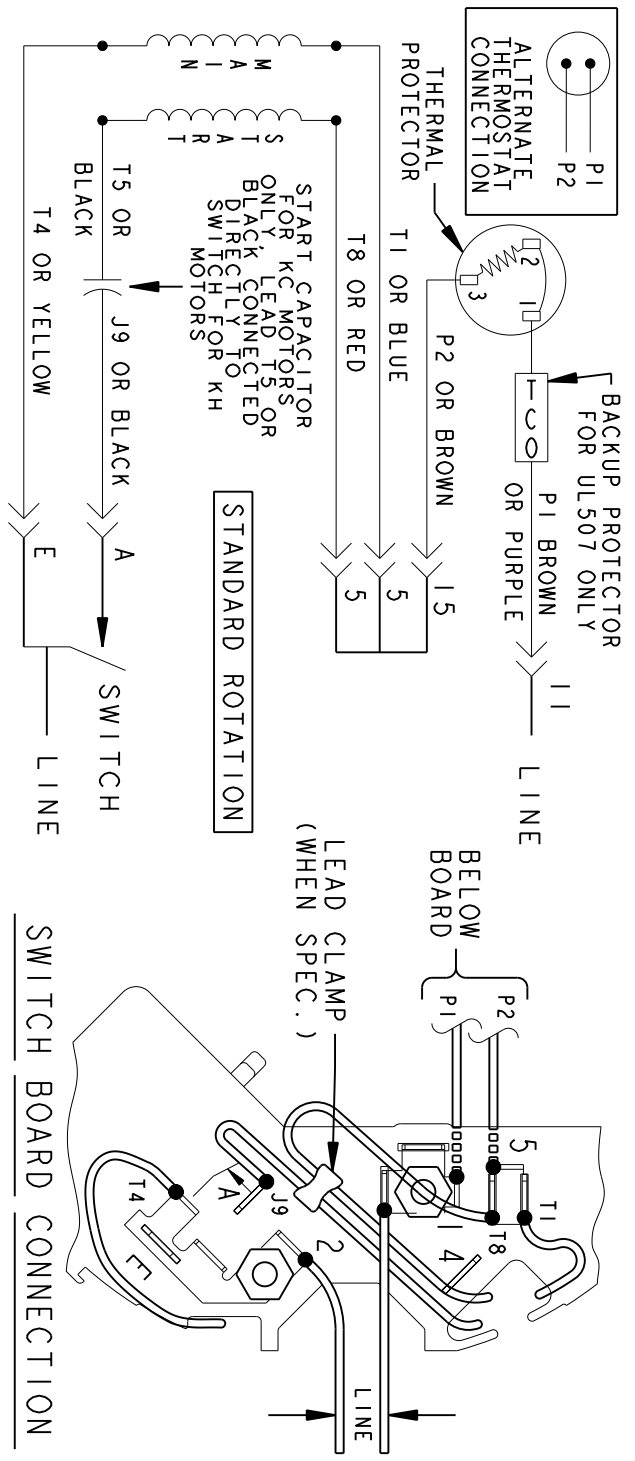
3	PART # 2 DELETED AS PER IS12-4648	UD	9/26/12	KK	.XX	±0.02
2	CHG GD LD FROM 4:30 TO 7:30 PER IS11-0510.	UD	9/24/12	PKG	.XXX	±0.005
1	ADDED CORE SET TO PART #2.	KK	13/03/12		.XXXX	±0.0005
NO.	REVISION	BY & DATE	CHK	ANG		±1.0

TITLE OUTLINE  
 CARBONATOR PUMP - OPEN - RESIL. BASE  
 MAT'L.  
 FINISH 3 of 4  
 SCALE 1=1  
 REF  
 FMF  
 PREV



REV.	DESCRIPTION	DATE	APPROVED
6	UPDATED FORMAT	12/01/05	MAM

EITHER ROTATION-SINGLE VOLTAGE-TYPE KC OR KH-WITH THERMAL PROTECTOR



NOTE #1 - TO REVERSE ROTATION INTERCHANGE RED (T8) AND BLACK (J9-KC OR T5-KH) LEADS.  
 NOTE #2 - WHEN MORE THAN ONE CAPACITOR IS USED CONNECT IN PARALLEL.

SWITCH (C) - 115D958AB REF. DIAG. - 121A851 CONN. LABEL - 52X332048

SIGNATURES	DATE
MODEL M.D. PAPE	06/29/87
DETAIL	
CHECKED	
ENGRG	
MFG	
QUALITY	
ISSUED	M.D. P. 03/08/00
SOLID MODEL: 52A105379AA	

**REGAL-BELOIT CORPORATION**

**REGAL-BELOIT**

**CONNECTION DIAGRAM**

**FMF - 30 FR SWITCH REDESIGN**

SCALE: 1.000 REF. No.:

SIZE DRAWING A

52A105379AA

REV 6