

PRODUCT INFORMATION PACKET

Modal No: 5KH32HNA532T
Catalog No: 4734
1/3,1725,OPEN,48Y,1/60/115
Belt Drive



Regal and Marathon are trademarks of Regal Beloit Corporation or one of its affiliated companies.
©2017 Regal Beloit Corporation, All Rights Reserved. MC017097E



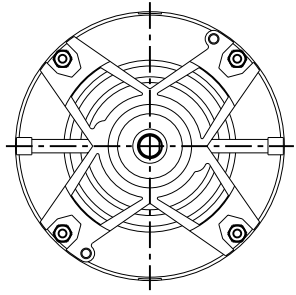
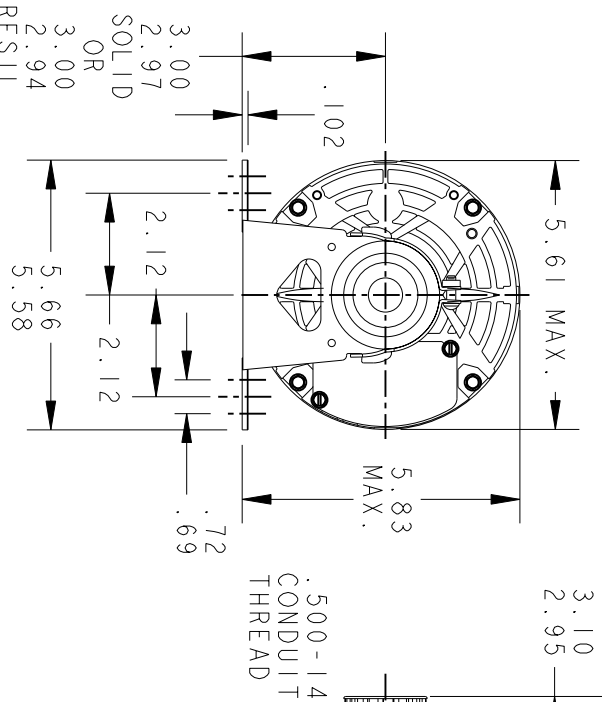
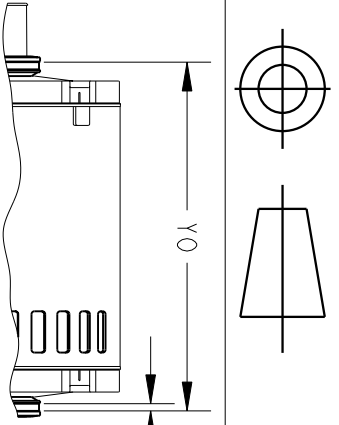
Nameplate Specifications

| | | | |
|------------------------|-------------------|----------------------------|-----------------|
| Output HP | 0.33 Hp | Output KW | 0.25 kW |
| Frequency | 60 Hz | Voltage | 115 V |
| Current | 6.6 A | Speed | 1725 rpm |
| Service Factor | 1.35 | Phases | 1 |
| Efficiency | 53.8 % | Duty | CONT |
| Insulation Class | B | KVA Code | N |
| Frame | 48Y | Enclosure | OPEN |
| Overload Protector | AUTO | Ambient Temperature | 40 °C |
| Drive End Bearing Size | 6203 | Opp Drive End Bearing Size | 6203 |
| UL | Recognized | CSA | Yes |
| CE | N | | |

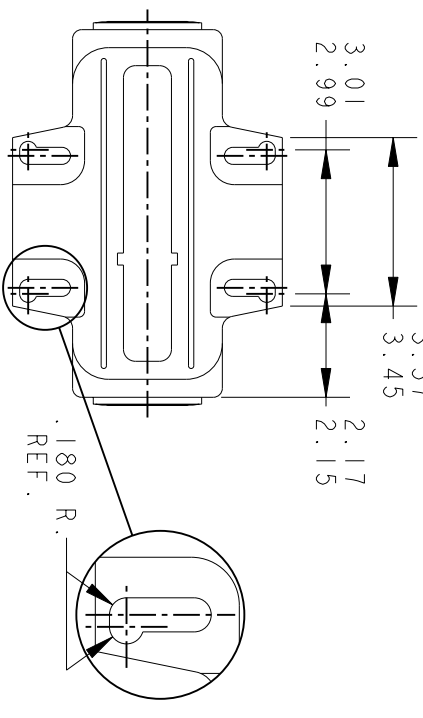
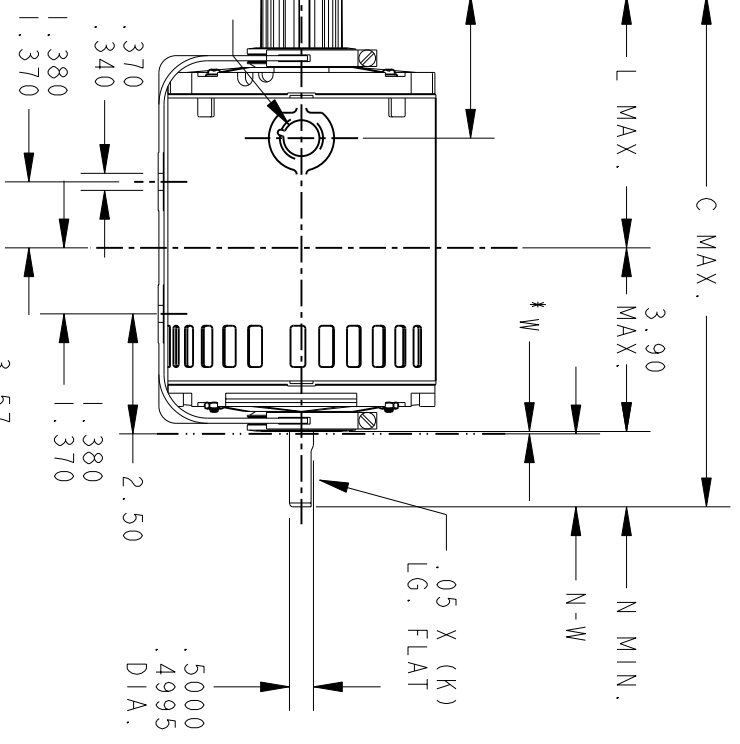
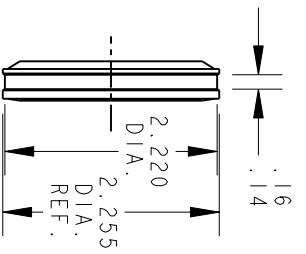
Technical Specifications

| | | | |
|-------------------|---------------------|-----------------------|-----------------|
| Electrical Type | Split Phase | Starting Method | SM |
| Poles | 4 | Rotation | CW/CCW |
| Mounting | RB | Motor Orientation | ANY |
| Drive End Bearing | BALL | Opp Drive End Bearing | BALL |
| Frame Material | Rolled Steel | Overall Length | 10.03 in |
| Frame Length | 5.16 in | Shaft Diameter | 0.5 in |
| Shaft Extension | 1.5 in | Thru-bolts Extension | 0 |

| REV. | DESCRIPTION | DATE | APPROVED |
|------|---------------------------------|----------|----------|
| 2 | CHG TO RBC FORMAT PER IS05-1777 | 03/14/06 | SUDHA |



VIEW SHOWING P.E. VENTILATION OPENINGS



W IS A CLEARANCE DUE TO VARIATION IN PARTS AND ASSEMBLY.

| P | TYPE | GE SIZE | NEMA FR | C | K | L | N | N-W | YO | SHELL REF |
|---|------|---------|---------|-------|------|------|------|-----------|-----------|-----------|
| 3 | KH | 33 | 48Y | 10.28 | 1.16 | 4.76 | 1.50 | 1.63/1.41 | 8.41/7.12 | |
| 2 | KH | 32 | 48Y | 10.03 | 1.16 | 4.51 | 1.50 | 1.63/1.41 | 8.16/6.87 | |
| 1 | KH | 39 | 48Y | 9.78 | 1.16 | 4.26 | 1.50 | 1.63/1.41 | 7.91/6.62 | 4.91 |

| SIGNATURES | | DATE |
|------------------------|------------|----------|
| MODEL | M.D. PAPER | 03/10/94 |
| DETAIL | | |
| CHECKED | | |
| ENGRG | | |
| MFG | | |
| QUALITY | | |
| ISSUED | M.D. PAPER | 03/10/94 |
| SOLID MODEL: 52A109502 | | |

REGAL-BELOIT CORPORATION

REGAL-BELOIT

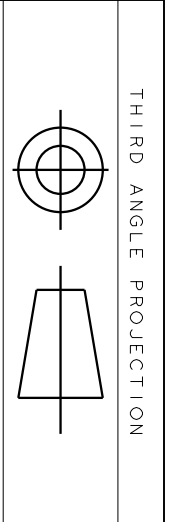
OUTLINE

PDD MOTOR - OPEN - RESILIENT BASE - BALL BEARING - SPECIAL MOUNTING HOLES IN BASE

SCALE: 0.250 REF. No.:

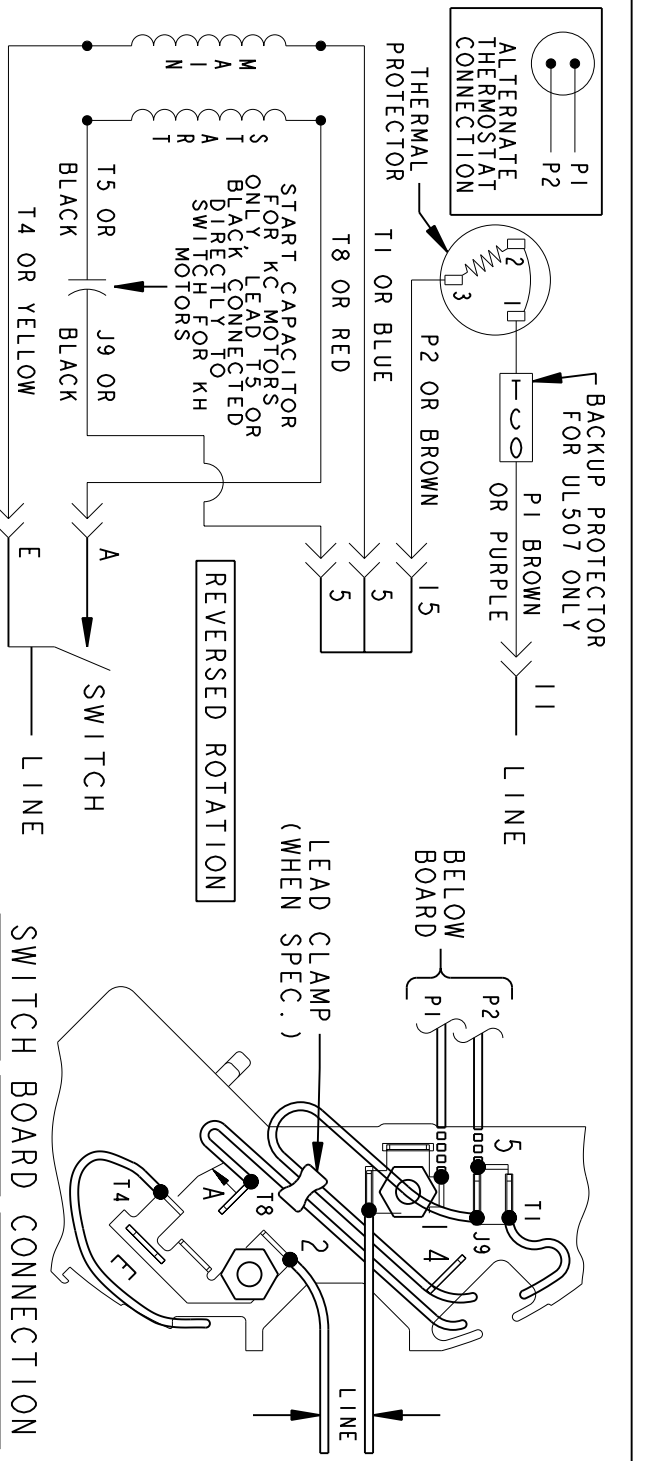
52A109502

SHEET 1 of 1



| REV. | DESCRIPTION | DATE | APPROVED |
|------|----------------|----------|----------|
| 6 | UPDATED FORMAT | 12/01/05 | MAM |

EITHER ROTATION-SINGLE VOLTAGE-TYPE KC OR KH-WITH THERMAL PROTECTOR



NOTE #1 - TO REVERSE ROTATION INTERCHANGE RED (T8) AND BLACK (J9-KC OR T5-KH) LEADS.
 NOTE #2 - WHEN MORE THAN ONE CAPACITOR IS USED CONNECT IN PARALLEL.

SWITCH (C) - 115D958AB REF. DIAG. - 121A851 CONN. LABEL - 52X332048

| SIGNATURES | DATE |
|--------------------------|-----------------|
| MODEL M.D.PAPE | 06/29/87 |
| DETAIL | |
| CHECKED | |
| ENGRG | |
| MFG | |
| QUALITY | |
| ISSUED | M.D.P. 03/08/00 |
| SOLID MODEL: 52A105379AA | |

REGAL-BELOIT CORPORATION

REGAL-BELOIT

CONNECTION DIAGRAM

FMF - 30 FR SWITCH REDESIGN

SCALE: 1.000 REF. No.:

52A105379AA

REV 6

SHEET 1 of 1