

PRODUCT INFORMATION PACKET

Modal No: 5KH35JN3132T
Catalog No: 4682
1/3,1725,DP,56Z,1/60/115/208-230
Fan and Blower



Regal and Marathon are trademarks of Regal Beloit Corporation or one of its affiliated companies.
©2017 Regal Beloit Corporation, All Rights Reserved. MC017097E



Nameplate Specifications

Output HP	0.33 Hp	Output KW	0.25 kW
Frequency	60 Hz	Voltage	115/208-230 V
Current	6.2,3.1 A	Speed	1725 rpm
Service Factor	1.35	Phases	1
Efficiency	59.2 %	Duty	CONT
Insulation Class	B	KVA Code	R
Frame	56Z	Enclosure	DP
Overload Protector	AUTO	Ambient Temperature	40 °C
Drive End Bearing Size	6203	Opp Drive End Bearing Size	6203
UL	Recognized	CSA	Yes
CE	N		

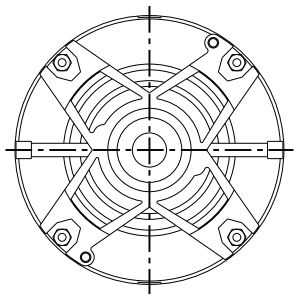
Technical Specifications

Electrical Type	Split Phase	Starting Method	SM
Poles	4	Rotation	CCW/CW
Mounting	RB	Motor Orientation	ANY
Drive End Bearing	BALL	Opp Drive End Bearing	BALL
Frame Material	Rolled Steel	Overall Length	10.3 in
Frame Length	5.79 in	Shaft Diameter	0.5 in
Shaft Extension	2.25 in	Thru-bolts Extension	0

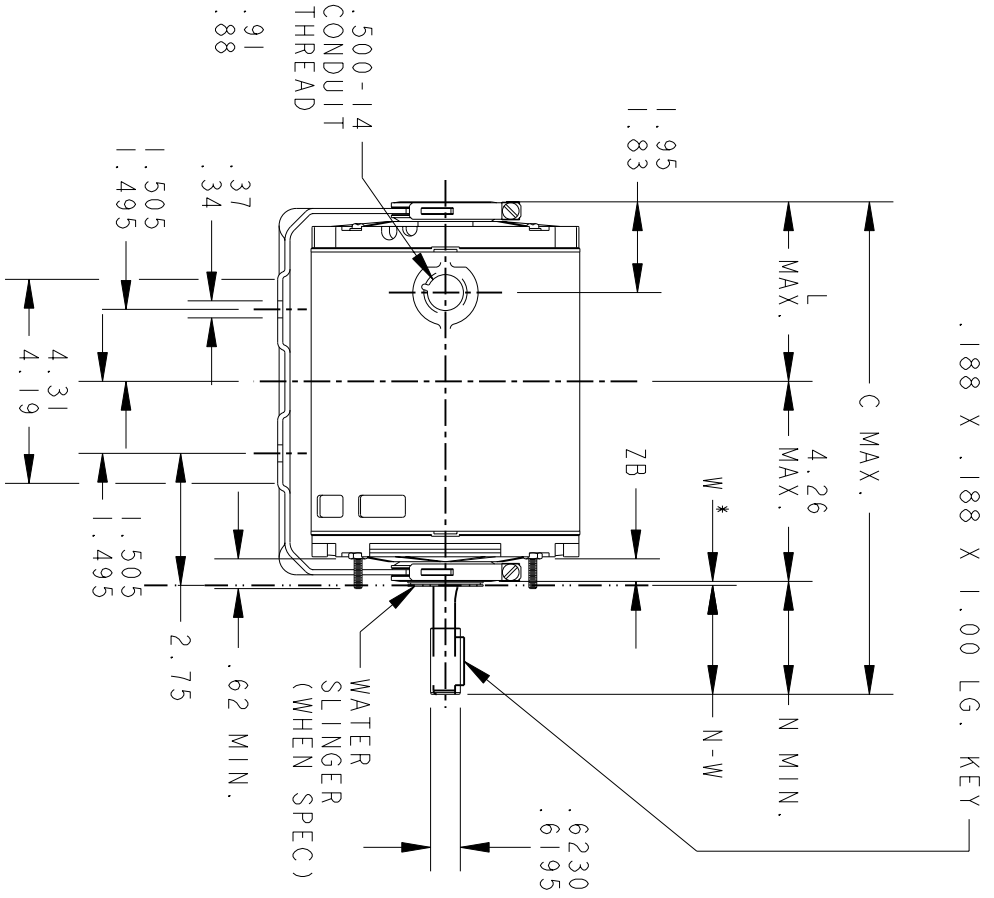
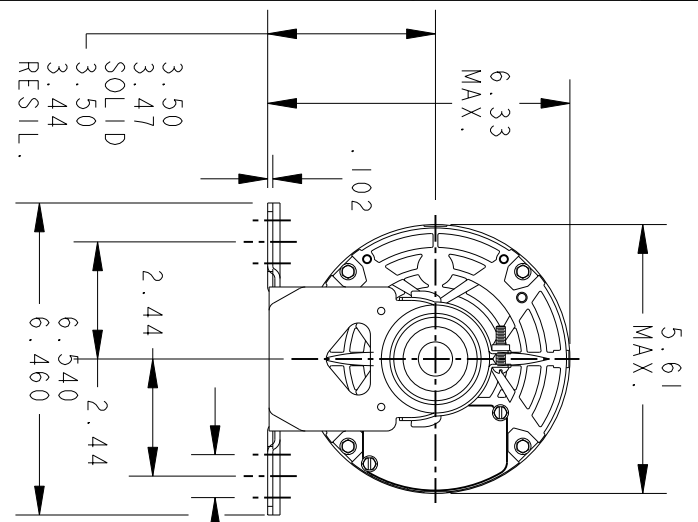
THIRD ANGLE PROJECTION



REVISIONS		DESCRIPTION	DATE	APPROVED
REV.	3	REDRAWN BY 2M SOFTWARE CO.	02/09/95	CCP
	4	CHG TO RBC FORMAT PER ISO5-1777	02/14/06	DURGA



VIEW SHOWING P.E. VENTILATION OPENINGS



W * IS A CLEARANCE DUE TO VARIATION IN PARTS AND ASSEMBLY.

P	TYPE	GE SIZE	NEMA FR	C	L	N	N-W	ZB
1	KH	35	56Z	10.26	3.80	2.25	2.38/2.16	.55/.52



REGAL-BELOTT CORPORATION

TITLE OUTLINE

FORM N - GENERAL PURPOSE MOTOR - DRIP PROOF
SOLID OR RESIL BASE - BALL OR SLEEVE BEARING-FMF: SKH35JN3132T

FOR ADDITIONAL INFO REFER TO:	MFG	QUALITY	ISSUED	SOLID MODEL: 52A106925
APPLIED PRACTICES	ENGRG	CHECKED	DETAIL	MODEL R.L.BONITA 03/11/89
DIMENSIONS ARE IN INCHES	CHECKED	DETAIL	DETAIL	DETAIL
	ENGRG	CHECKED	DETAIL	DETAIL
	ENGRG	CHECKED	DETAIL	DETAIL
	ENGRG	CHECKED	DETAIL	DETAIL
	ENGRG	CHECKED	DETAIL	DETAIL
	ENGRG	CHECKED	DETAIL	DETAIL
	ENGRG	CHECKED	DETAIL	DETAIL
	ENGRG	CHECKED	DETAIL	DETAIL
	ENGRG	CHECKED	DETAIL	DETAIL
	ENGRG	CHECKED	DETAIL	DETAIL

SCALE: 1.000	REF. No.:	SHEET 1 of 1
SIZE DRAWING A	REV 4	
52A106925		

