

# PRODUCT INFORMATION PACKET

Modal No: 5KH35MN56  
Catalog No: B1504  
1/3,1725,TEFC,56,1/60/115  
Fan and Blower



Regal and Marathon are trademarks of Regal Beloit Corporation or one of its affiliated companies.  
©2017 Regal Beloit Corporation, All Rights Reserved. MC017097E

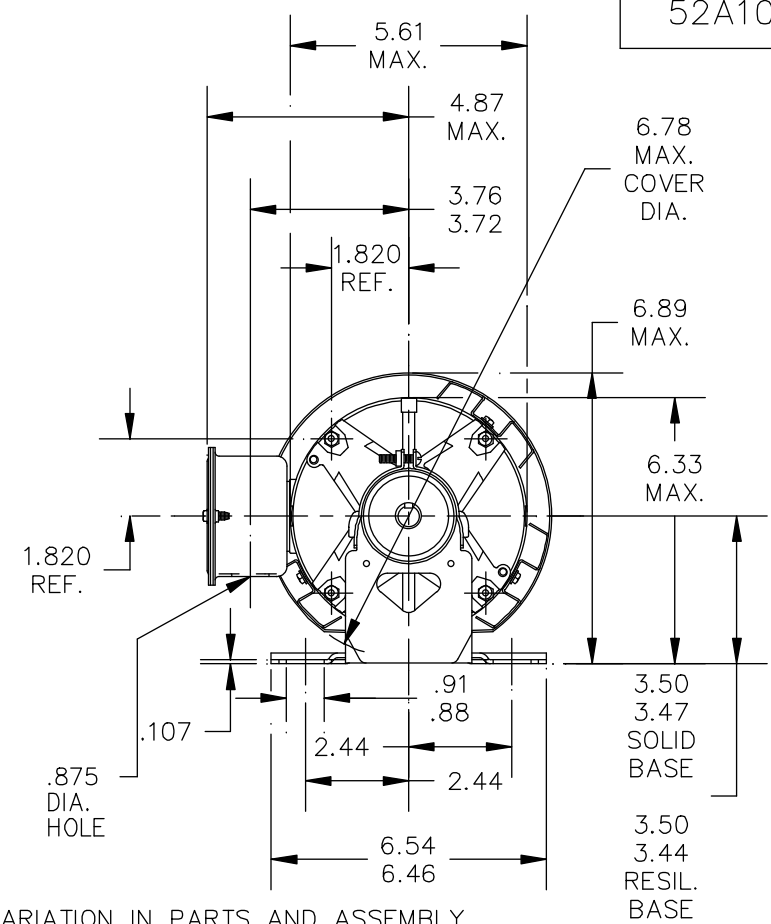
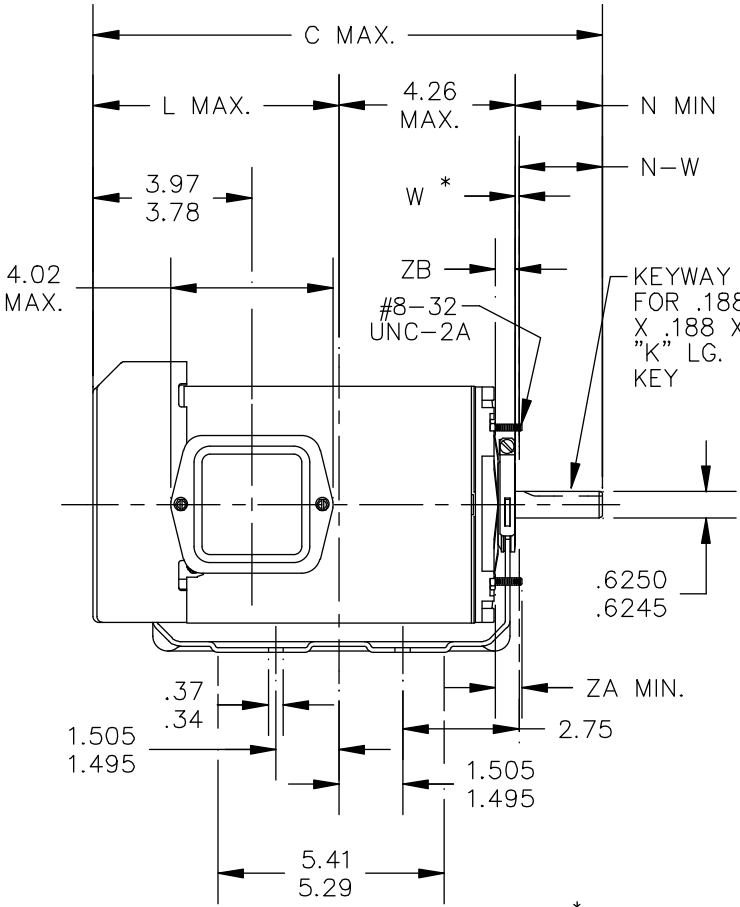
## Nameplate Specifications

Output HP	<b>0.33 Hp</b>	Output KW	<b>0.25 kW</b>
Frequency	<b>60 Hz</b>	Voltage	<b>115 V</b>
Current	<b>5.9 A</b>	Speed	<b>1725 rpm</b>
Service Factor	<b>1</b>	Phases	<b>1</b>
Efficiency	<b>62 %</b>	Duty	<b>CONT</b>
Insulation Class	<b>B</b>	KVA Code	<b>P</b>
Frame	<b>56</b>	Enclosure	<b>TEFC</b>
Overload Protector	<b>N/R</b>	Ambient Temperature	<b>40 °C</b>
Drive End Bearing Size	<b>6203</b>	Opp Drive End Bearing Size	<b>6203</b>
UL	<b>Recognized</b>	CSA	<b>Yes</b>
CE	<b>N</b>		

## Technical Specifications

Electrical Type	<b>Split Phase</b>	Starting Method	<b>SM</b>
Poles	<b>4</b>	Rotation	<b>CCW/CW</b>
Mounting	<b>RB</b>	Motor Orientation	<b>ANY</b>
Drive End Bearing	<b>BALL</b>	Opp Drive End Bearing	<b>BALL</b>
Frame Material	<b>Rolled Steel</b>	Overall Length	<b>10.9 in</b>
Frame Length	<b>5.79 in</b>	Shaft Diameter	<b>0.63 in</b>
Shaft Extension	<b>1.88 in</b>	Thru-bolts Extension	<b>0</b>

52A102363



W\* IS A CLEARANCE DUE TO VARIATION IN PARTS AND ASSEMBLY

5	KH	37	56	11.76	5.58	1.88	1.38	2.01/1.79	.62	.55/.52													
4	KH	36	56	11.36	5.18	1.88	1.38	2.01/1.79	.62	.55/.52													
3	KH	35	56	10.93	4.75	1.88	1.38	2.01/1.79	.62	.55/.52													
2	KH	33	56	10.55	4.37	1.88	1.38	2.01/1.79	.62	.55/.52													
1	KH	32	56	10.30	4.12	1.88	1.38	2.01/1.79	.62	.55/.52	6	KH	38	56	12.36	6.18	1.88	1.38	2.01/1.79	.62	.55/.52		
P	TYPE	RBC SIZE	NEMA FR.	C	L	N	K	N-W	ZA	ZB	P	TYPE	RBC SIZE	NEMA FR.	C	L	N	K	N-W	ZA	ZB		

TOLERANCES UNLESS SPECIFIED  
 DEC. INCHES  
 .X ±0.1



**REGAL-BELOIT CORPORATION**

DRAWN F.P.K 07/07/77

CHK  
 APPD A.A.U 04/10/96

7 REDRAWN IN DRAFT SIGHT - NO CHANGES. GR 10/20/12 PKG .XX ±0.02

TITLE OUTLINE

SCALE 1=1

6 CHG MADE AS PER ISO5-2771 GD 10/26/05 .XXX ±0.005

TOTALLY ENCLOSED OUTBOARD FAN - SOLID OR RESILIENT BASE

REF

5 REDRAWN BY 2M SOFTWARE CO. AAU 04/10/96 .XXXX ±0.0005

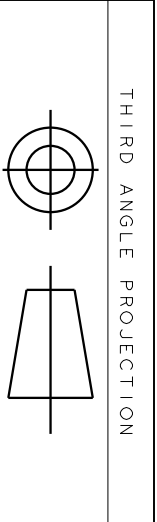
MAT'L.

FMF

NO. REVISION BY & DATE CHK ANG ±1.0

FINISH 3 of 4

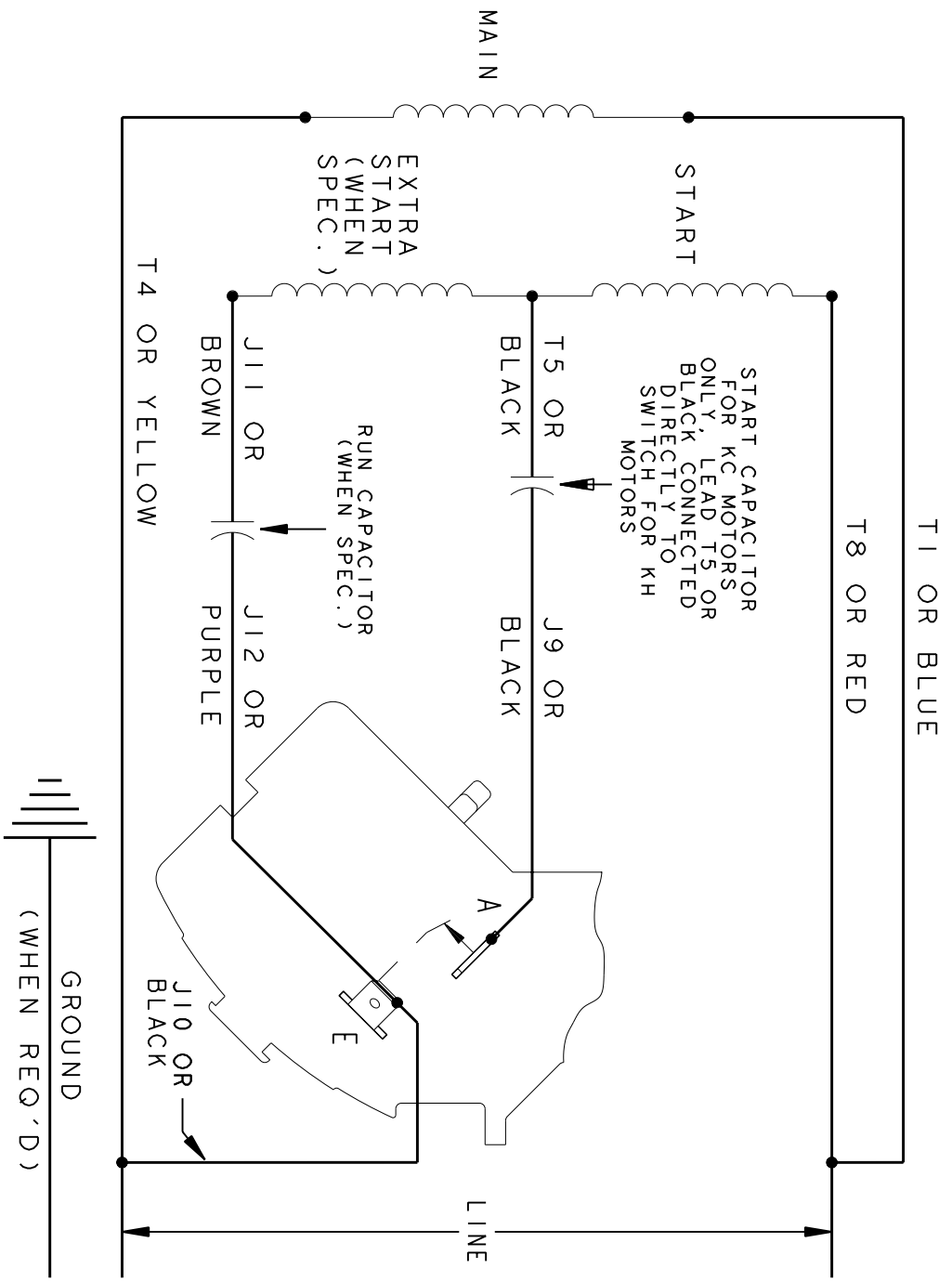
PREV



REV.	DESCRIPTION	DATE	APPROVED
6	UPDATED FORMAT	11/11/05	MAM

REVISIONS

CCW/CW ROTATION - SINGLE VOLTAGE  
TYPE KC, KCR OR KH



NOTE #1 - TO REVERSE ROTATION INTERCHANGE BLUE (T1) AND YELLOW (T4) LEADS.  
NOTE #2 - WHEN MORE THAN ONE CAPACITOR IS USED CONNECT IN PARALLEL.

REF. DIAG. - 113A328		SWITCH (C) - 115D958AA	
CONNECTION LABEL - 52X332919			
SIGNATURES		DATE	
MODEL	M.D. PAPE	06/29/87	
DETAIL			
CHECKED			
ENGRG			
MFG			
FOR ADDITIONAL INFO REFER TO:	QUALITY		
APPLIED PRACTICES	ISSUED	M.D.P.	01/20/99
DIMENSIONS ARE IN INCHES	SOLID MODEL: 52A105377BA		
TITLE		REGAL-BELOIT CORPORATION	
FME: 30 FRAME SWITCH REDESIGN		CONNECTION DIAGRAM	
SIZE	DRAWING	SCALE	REF. No.
A		1.000	
52A105377BA		SHEET 1 of 1	