

PRODUCT INFORMATION PACKET

Modal No: 5KH35MNA519T
Catalog No: HG703
1/2, 1725, OPEN, 48Y, 1/60/115
Fan and Blower



Regal and Marathon are trademarks of Regal Beloit Corporation or one of its affiliated companies.

©2017 Regal Beloit Corporation, All Rights Reserved. MC017097E



Nameplate Specifications

Output HP	0.5 Hp	Output KW	0.37 kW
Frequency	60 Hz	Voltage	115 V
Current	7.9 A	Speed	1725 rpm
Service Factor	1.25	Phases	1
Efficiency	65.4 %	Duty	CONT
Insulation Class	B	KVA Code	N
Frame	48Y	Enclosure	OPEN
Overload Protector	AUTO	Ambient Temperature	40 °C
Drive End Bearing Size	6203	Opp Drive End Bearing Size	6203
UL	Recognized	CSA	Yes
CE	N		

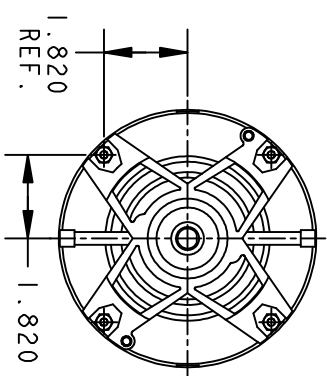
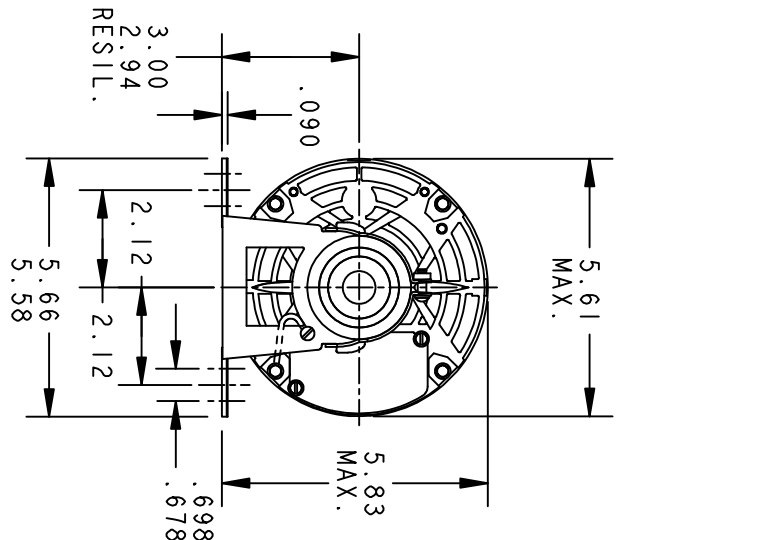
Technical Specifications

Electrical Type	Split Phase	Starting Method	SM
Poles	4	Rotation	CW/CCW
Mounting	RB	Motor Orientation	ANY
Drive End Bearing	BALL	Opp Drive End Bearing	BALL
Frame Material	Rolled Steel	Overall Length	10.32 in
Frame Length	5.79 in	Shaft Diameter	0.5 in
Shaft Extension	2.25 in	Thru-bolts Extension	0

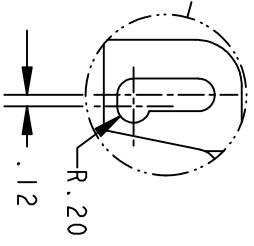
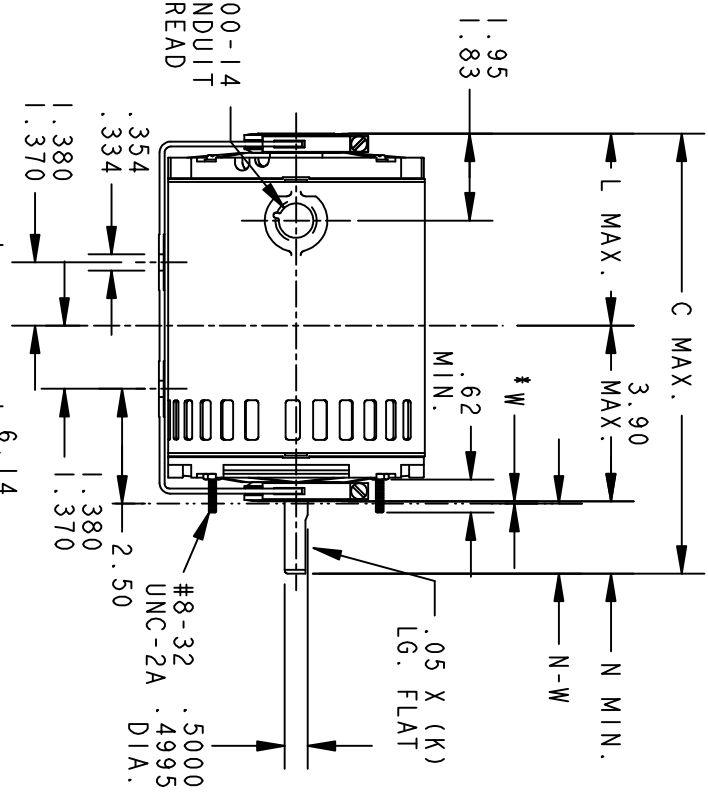
THIRD ANGLE PROJECTION		REVISIONS		
REV.	DESCRIPTION	DATE	APPROVED	

52A113024 0

SIZE A DRAWING NO.



VIEW SHOWING P.E. VENTILATION OPENINGS



P	TYPE	RBC SIZE	NEMA FR	C	K	L	N	N-W
2	K KH	32	48Y	9.69	1.91	3.59	2.25	2.38/2.16
1	K KH	35	48Y	10.32	1.91	4.22	2.25	2.38/2.16

* IS A CLEARANCE DUE TO VARIATION IN PARTS AND ASSEMBLY.

SIGNATURES		DATE
MODEL	PRAVEN.K	01/03/08
DETAIL		
CHECKED		
ENGRG		
MFG		
QUALITY		
ISSUED	PRAVEN.K	01/03/08

REGAL-BELOIT CORPORATION

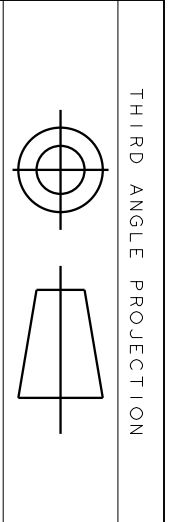
OUTLINE

FORM N - GENERAL PURPOSE MOTOR - DRIP PROOF - RESIL. BASE - BALL OR SLEEVE BEARING - SPECIAL MOUNTING HOLES IN BASE

52A113024 0

FOR ADDITIONAL INFO REFER TO:		
APPLIED PRACTICES		
DIMENSIONS ARE IN INCHES		
MATERIAL		

SCALE: 1.000 REF. No.: SHEET 1 of 1



REV.	DESCRIPTION	DATE	APPROVED
6	UPDATED FORMAT	12/01/05	MAM

EITHER ROTATION-SINGLE VOLTAGE-TYPE KC OR KH-WITH THERMAL PROTECTOR



NOTE #1 - TO REVERSE ROTATION INTERCHANGE RED (T8) AND BLACK (J9-KC OR T5-KH) LEADS.
 NOTE #2 - WHEN MORE THAN ONE CAPACITOR IS USED CONNECT IN PARALLEL.

SWITCH (C) - 115D958AB REF. DIAG. - 121A851 CONN. LABEL - 52X332048

SIGNATURES	DATE
MODEL M.D.PAPE	06/29/87
DETAIL	
CHECKED	
ENGRG	
MFG	
QUALITY	
ISSUED	M.D.P. 03/08/00
SOLID MODEL: 52A105379AA	

REGAL-BELOIT CORPORATION

REGAL-BELOIT

TITLE: **CONNECTION DIAGRAM**

SIZE: DRAWING A

SCALE: 1.000 REF. No.:

30 FR SWITCH REDESIGN

52A105379AA

REV 6