

PRODUCT INFORMATION PACKET

Modal No: 5KH36PNB171
Catalog No: HG458
1/4, 1725, EPNV, 48, 1/60/115
Division 1



Regal and Marathon are trademarks of Regal Beloit Corporation or one of its affiliated companies.
©2017 Regal Beloit Corporation, All Rights Reserved. MC017097E

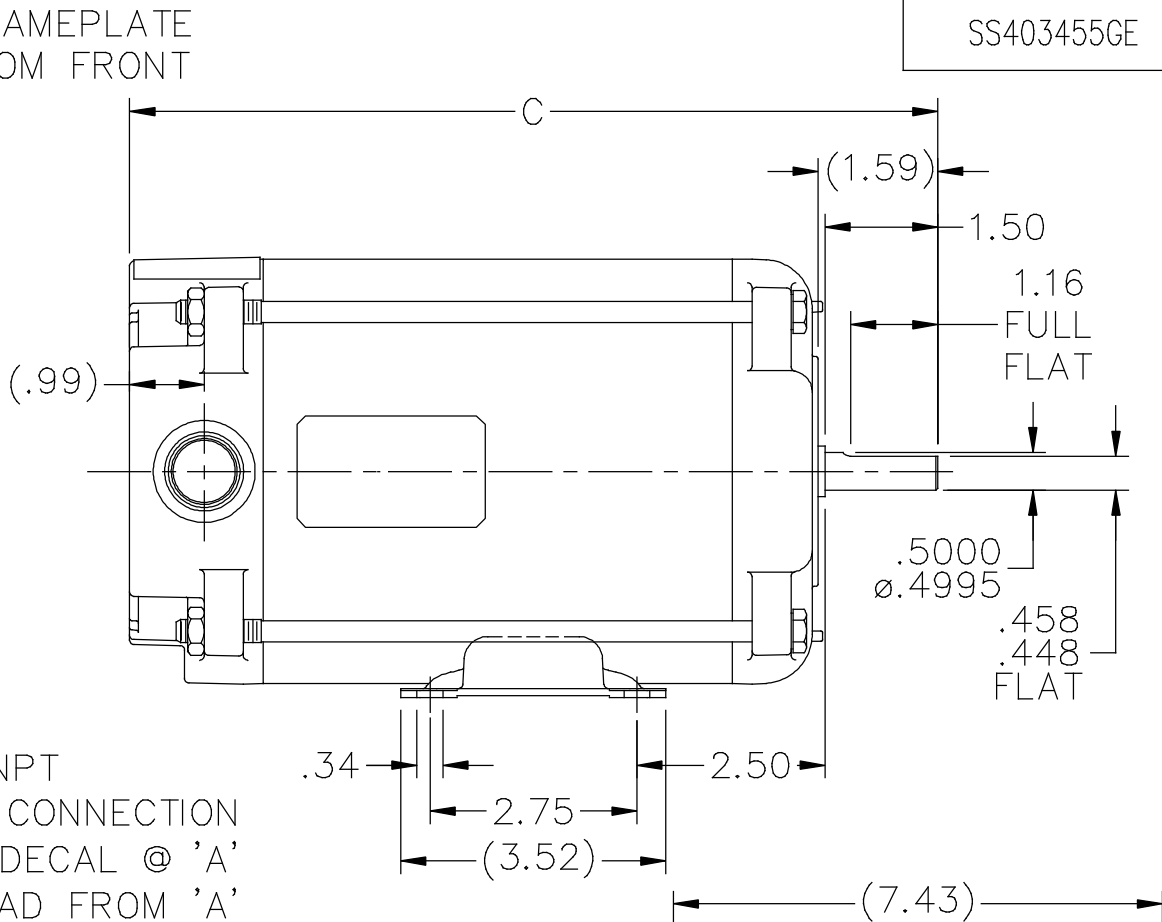
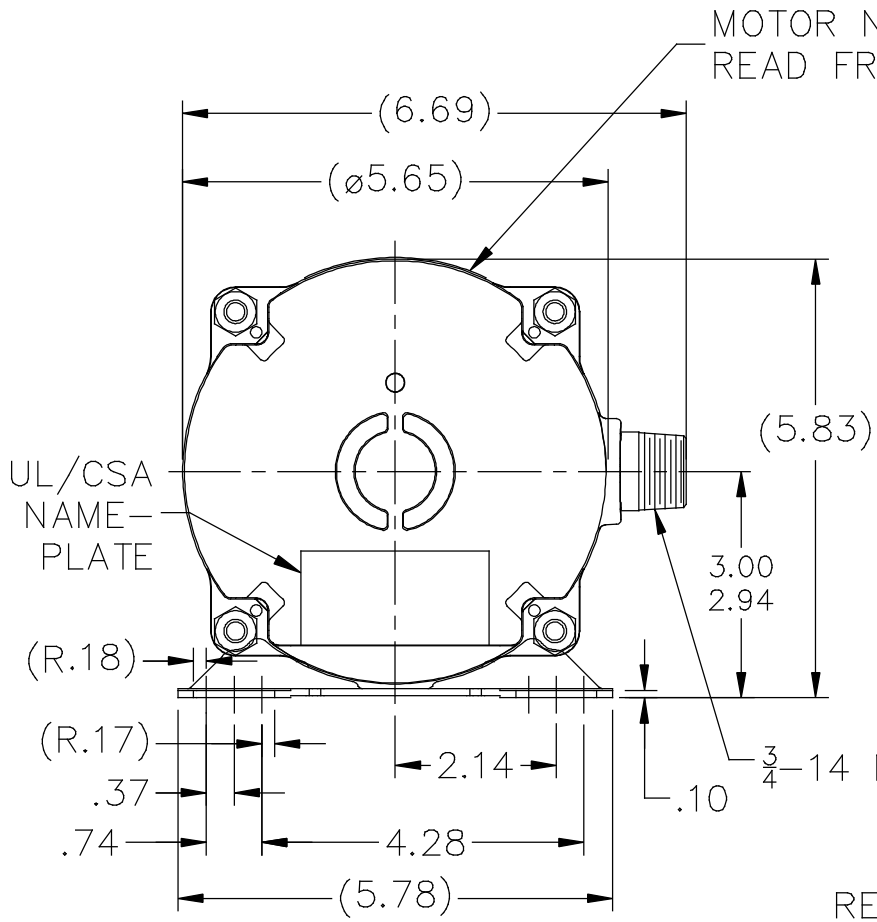


Nameplate Specifications

Output HP	0.25 Hp	Output KW	0.19 kW
Frequency	60 Hz	Voltage	115 V
Current	4.4 A	Speed	1725 rpm
Service Factor	1	Phases	1
Efficiency	59.5 %	Duty	CONTINUOUS
Insulation Class	A	Design Code	NO DESIGN CODE
KVA Code	N	Frame	48
Enclosure	EPNV	Overload Protector	AUTOMATIC
Ambient Temperature	40 °C	Drive End Bearing Size	6203
Opp Drive End Bearing Size	6203	UL	Recognized (Not Protector)
CSA	N	CE	N
IP Code	54		

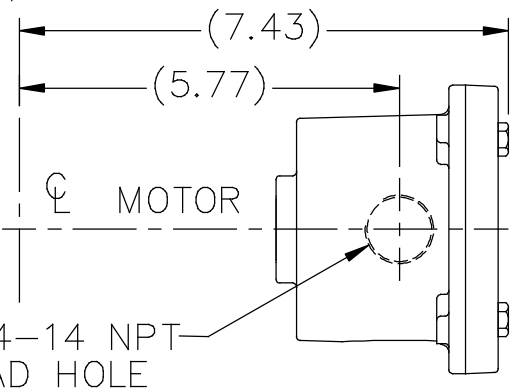
Technical Specifications

Electrical Type	SPLIT PHASE	Starting Method	ACROSS THE LINE
Poles	4	Rotation	SELECTIVE CCW
Mounting	RIGID	Motor Orientation	HORIZONTAL
Drive End Bearing	BALL	Opp Drive End Bearing	BALL
Frame Material	ROLLED STEEL	Shaft Type	T
Overall Length	10.74 in	Frame Length	6.23 in
Shaft Diameter	0.5 in	Shaft Extension	1.59 in
Assembly/Box Mounting	F1 ONLY		




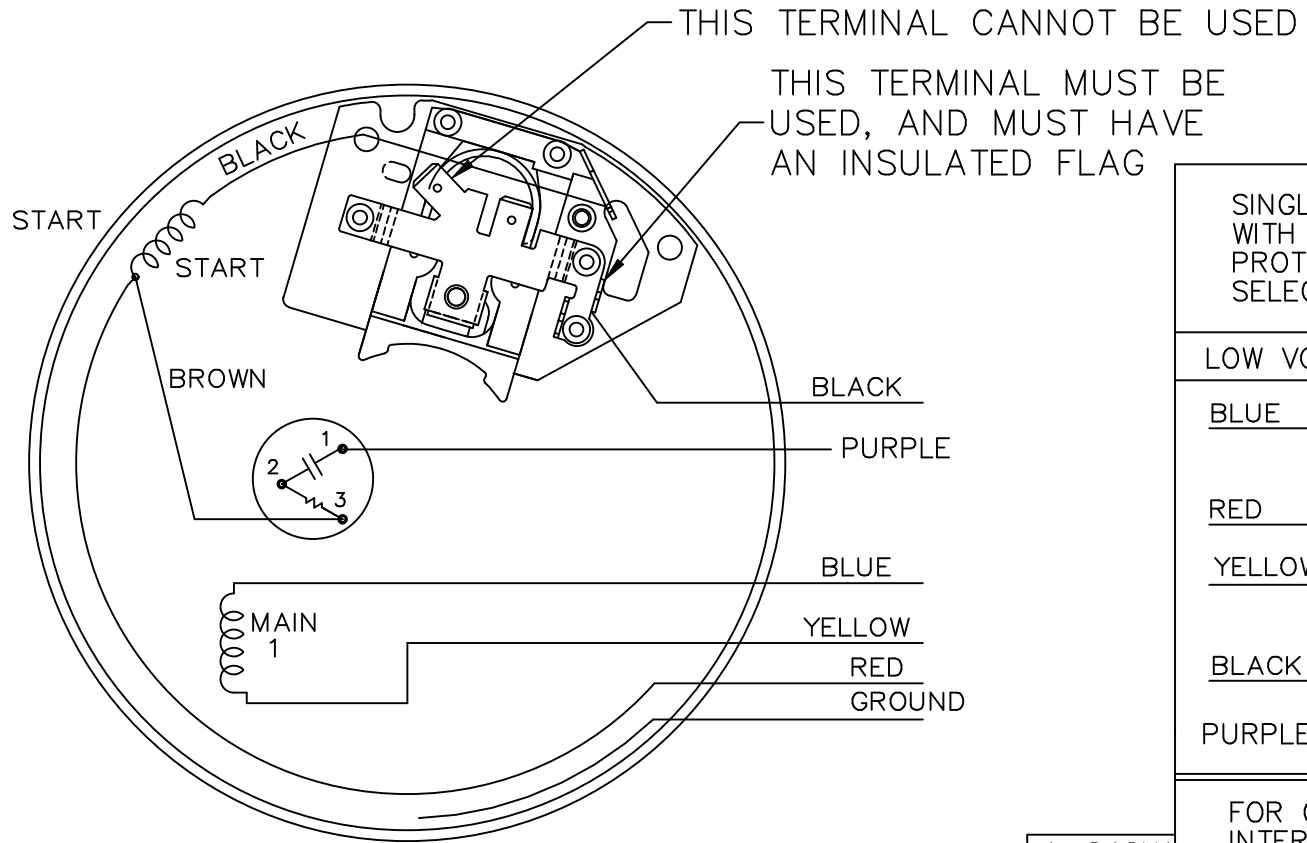
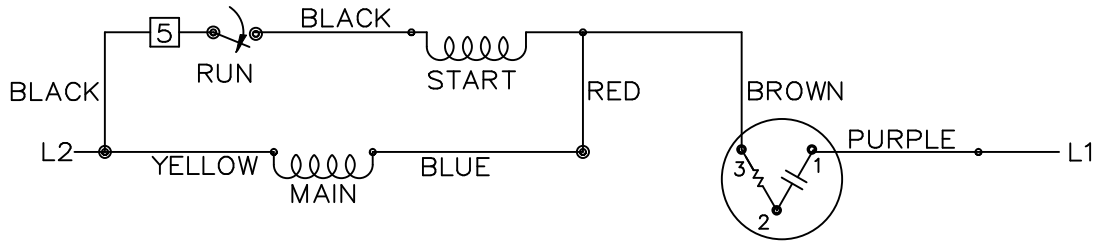
LEAD DESCRIPTION: 1 BLACK, 1 PURPLE, 1 BLUE, 1 GREEN, 1 YELLOW, AND 1 RED ALL EXITING A SEALED PIPE NIPPLE, 26" LONG.

VIEW OF CONDUIT BOX



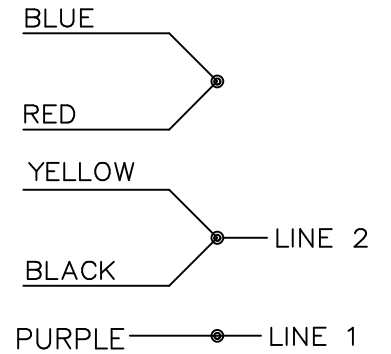
DASH	C
517	9.68
580	10.31
623	10.74

NO.	REVISION	BY & DATE	CHK	TOLERANCES UNLESS SPECIFIED		FINISH	DRAWN RWR 03-15-2005			
				DEC.	INCHES					
3	ADDED VIEW OF COND BOX INSTALL ISAAC 12-5139	WGJ 03-05-2013	DD	.X	±.1	 REGAL-BELOIT CORPORATION TITLE OUTLINE 48 FRAME - XP MAT'L FINISH	CHK ML 03-18-2005			
2	CHG. LEADS FROM 6" TO 26" CN39528	RWR 08/26/2005	ML	.XX	±.03		SCALE 3=8			
1	ADD UL/CSA AND MOTOR NAMEPLATES, CHANGED	MJK 04/29/2005		.XXX	±.005		REF A-SS403455			
	STUDS TO OVERBOLTS CN 46061			.XXXX	±.0005		FMF			
				ANG	±7'30"		PREV			
THIS DRAWING IN DESIGN AND DETAIL IS OUR PROPERTY AND MUST NOT BE USED EXCEPT IN CONNECTION WITH OUR WORK ALL RIGHTS OF DESIGN AND INVENTION ARE RESERVED THIS IS AN ELECTRONICALLY GENERATED DOCUMENT - DO NOT SCALE THIS PRINT				RFP	03-21-2005	CAD FILE ss403455ge	SIZE A	DRAWING NO. SS403455GE	PAGE 1 OF 1	REV. 3
				DIST	WP	3 of 4				



SINGLE VOLTAGE
WITH OVERLOAD
PROTECTION
SELECT ROTATION

LOW VOLT. CCW ROT.



FOR CW ROT.
INTERCHANGE BLUE
WITH YELLOW LEAD.

- A-S4CU1
- A-S6A4
- A-S4A2

				TOLERANCES UNLESS SPECIFIED			DRAWN NB 03-14-2006
				DEC.	INCHES		CHK VL 03-14-2006
				.X	±.1		APPD VL 03-14-2006
				.XX	±.02		SCALE 5=8
				.XXX	±.005		REF EE7116K-GE
				.XXXX	±.0005		FMF MU71130
NO.	REVISION	BY & DATE	CHK	ANG	±7'30"	FINISH	PREV
THIS DRAWING IN DESIGN AND DETAIL IS OUR PROPERTY AND MUST NOT BE USED EXCEPT IN CONNECTION WITH OUR WORK ALL RIGHTS OF DESIGN AND INVENTION ARE RESERVED THIS IS AN ELECTRONICALLY GENERATED DOCUMENT - DO NOT SCALE THIS PRINT			RFP	03-16-2006	CAD FILE	EE7116K	SIZE A
			DIST	WP	DRAWING NO. EE7116K		PAGE 1 OF 1
					REV.		