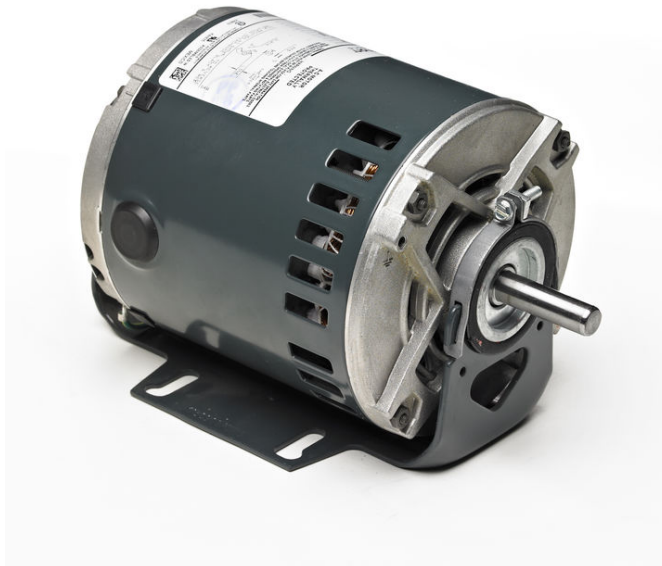


# PRODUCT INFORMATION PACKET

Modal No: 5KH39DNA533T  
Catalog No: 4733  
1/4,1725,OPEN,48Y,1/60/115  
Belt Drive



Regal and Marathon are trademarks of Regal Beloit Corporation or one of its affiliated companies.  
©2017 Regal Beloit Corporation, All Rights Reserved. MC017097E

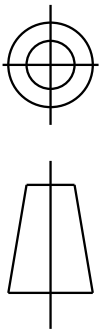


## Nameplate Specifications

Output HP	<b>0.25 Hp</b>	Output KW	<b>0.19 kW</b>
Frequency	<b>60 Hz</b>	Voltage	<b>115 V</b>
Current	<b>5.1 A</b>	Speed	<b>1725 rpm</b>
Service Factor	<b>1.35</b>	Phases	<b>1</b>
Efficiency	<b>51.9 %</b>	Duty	<b>CONT</b>
Insulation Class	<b>B</b>	KVA Code	<b>P</b>
Frame	<b>48Y</b>	Enclosure	<b>OPEN</b>
Overload Protector	<b>AUTO</b>	Ambient Temperature	<b>40 °C</b>
Drive End Bearing Size	<b>6203</b>	Opp Drive End Bearing Size	<b>6203</b>
UL	<b>Recognized</b>	CSA	<b>Yes</b>
CE	<b>N</b>		

## Technical Specifications

Electrical Type	<b>Split Phase</b>	Starting Method	<b>SM</b>
Poles	<b>4</b>	Rotation	<b>CW/CCW</b>
Mounting	<b>RB</b>	Motor Orientation	<b>ANY</b>
Drive End Bearing	<b>BALL</b>	Opp Drive End Bearing	<b>BALL</b>
Frame Material	<b>Rolled Steel</b>	Overall Length	<b>9.78 in</b>
Frame Length	<b>4.91 in</b>	Shaft Diameter	<b>0.5 in</b>
Shaft Extension	<b>1.5 in</b>	Thru-bolts Extension	<b>0</b>



REV. 2

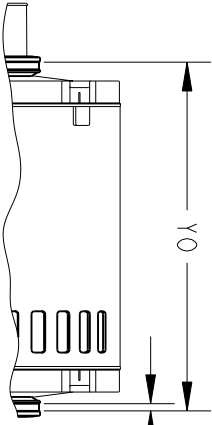
CHG TO RBC FORMAT PER IS05-1777

03/14/06

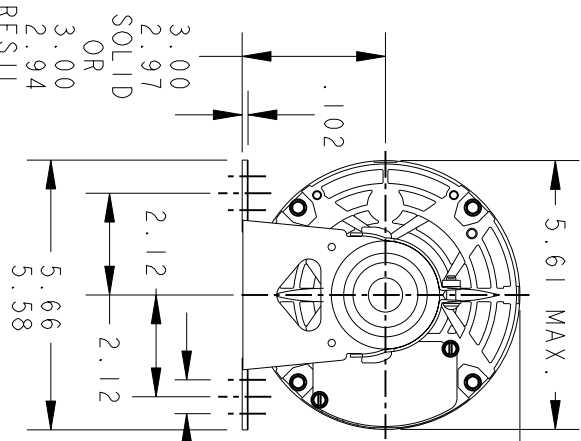
SUDHA

52A109502 2

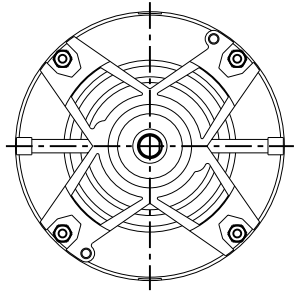
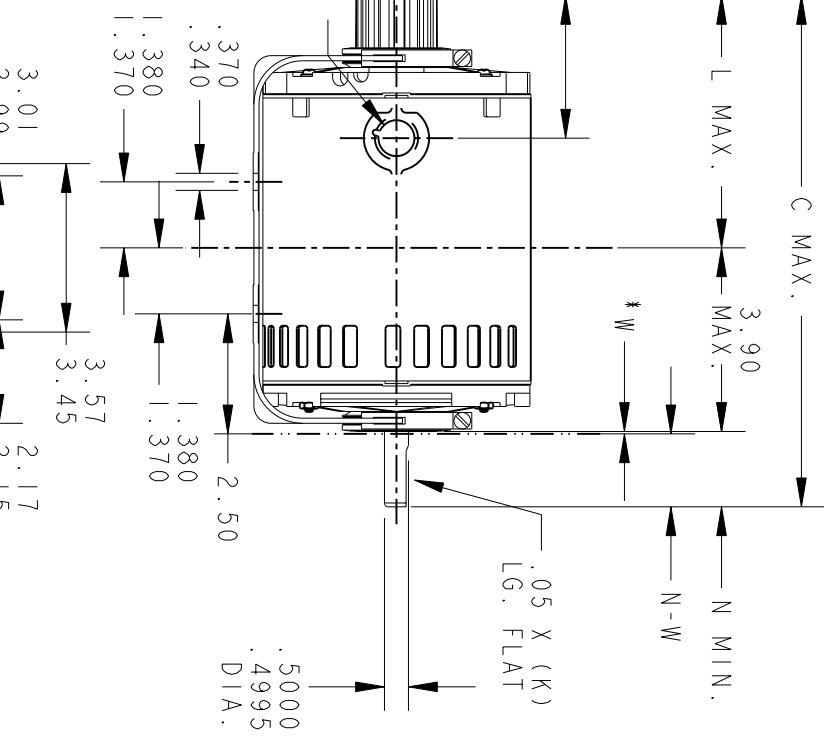
DRAWING NO. A



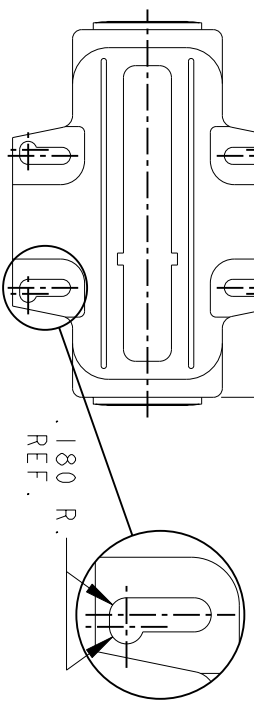
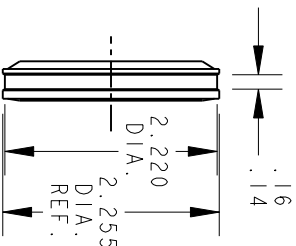
YO  
.12



.500-14  
CONDUIT  
THREAD



VIEW SHOWING P.E.  
VENTILATION OPENINGS



W IS A CLEARANCE DUE  
TO VARIATION IN PARTS  
AND ASSEMBLY.

P	TYPE	GE SIZE	NEMA FR	C	K	L	N	N-W	YO	SHELL REF
3	KH	33	48Y	10.28	1.16	4.76	1.50	1.63/1.41	8.41/7.12	
2	KH	32	48Y	10.03	1.16	4.51	1.50	1.63/1.41	8.16/6.87	
1	KH	39	48Y	9.78	1.16	4.26	1.50	1.63/1.41	7.91/6.62	4.91



REGAL-BELOLT CORPORATION

TITLE  
**OUTLINE**

**PDD MOTOR - OPEN - RESILIENT BASE -  
BALL BEARING - SPECIAL MOUNTING HOLES IN BASE**

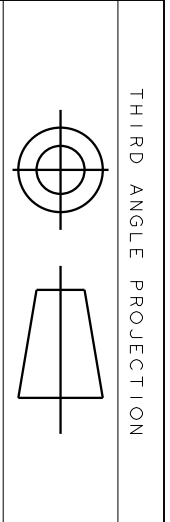
SIZE DRAWING  
**A**

**52A109502**

REV 2

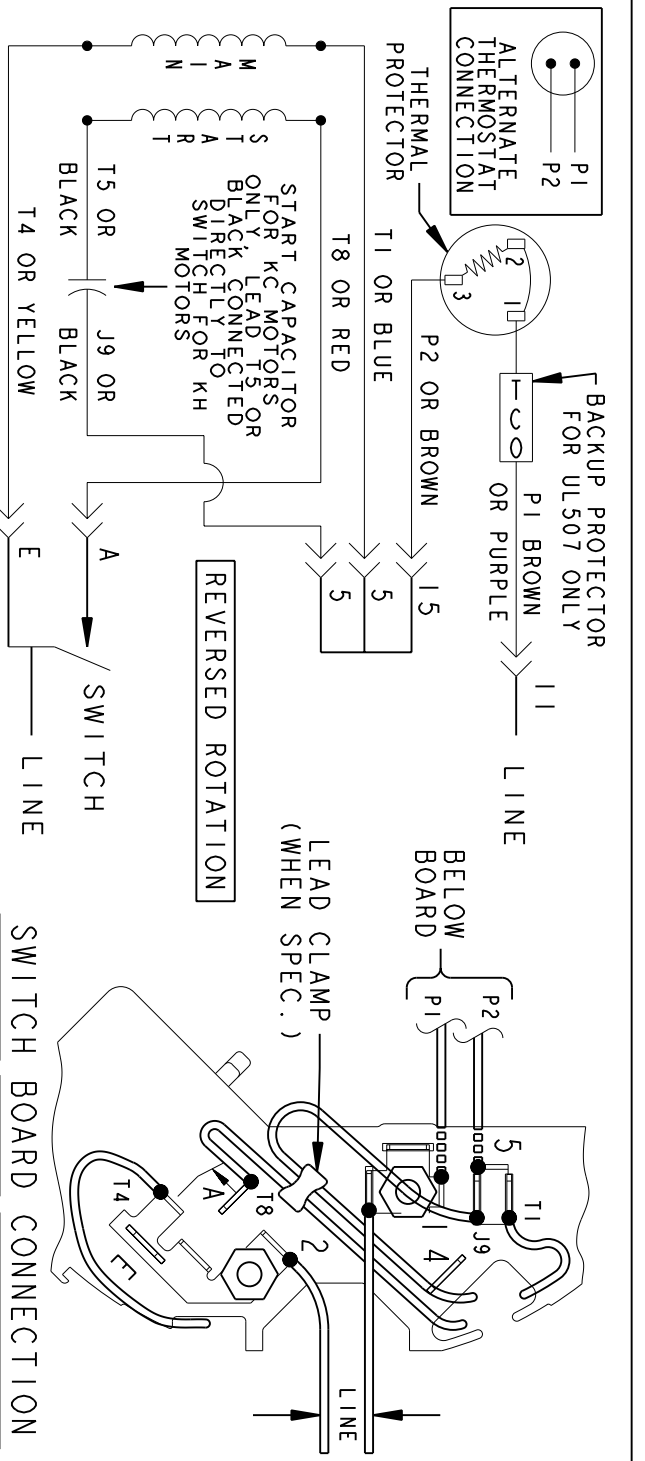
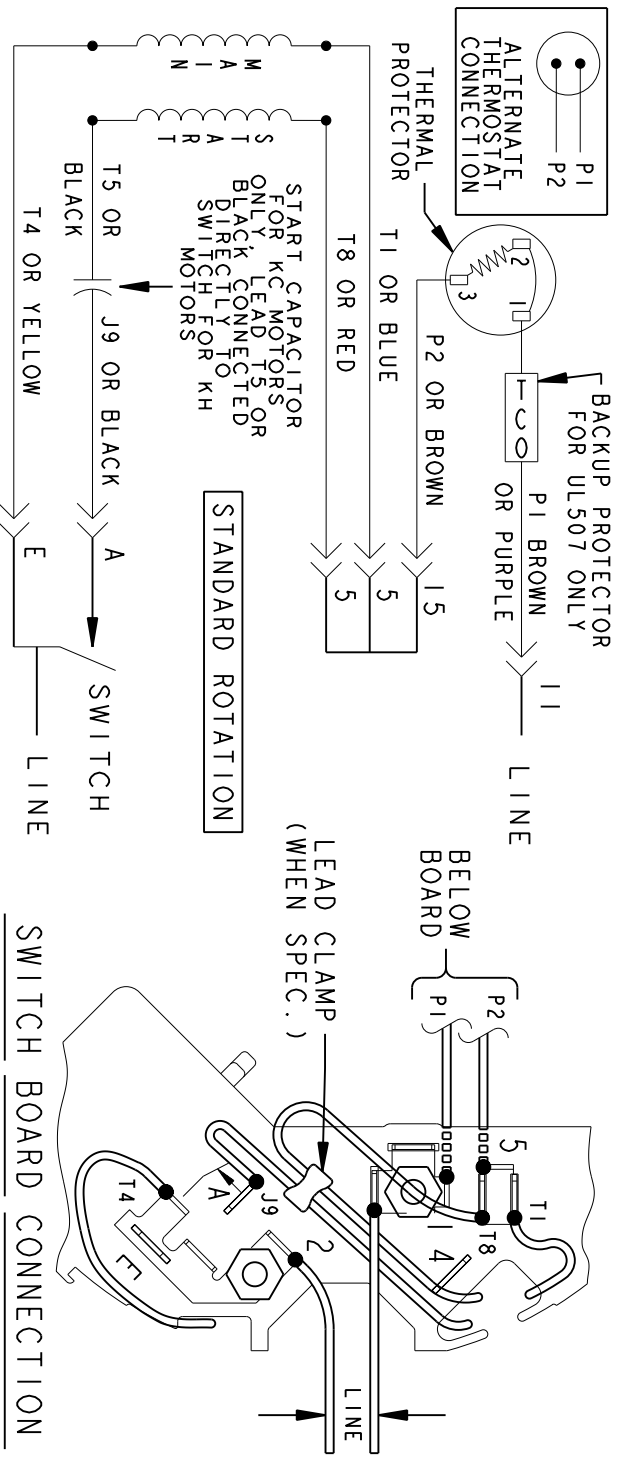
FOR ADDITIONAL INFO REFER TO:	MFG	
APPLIED PRACTICES	QUALITY	
DIMENSIONS ARE IN INCHES	ISSUED	M.D. PAPER 03/10/94
MATERIAL	SOLID MODEL:	52A109502

SCALE: 0.250	REF. No.:	
SHEET 1 of 1		



REV.	DESCRIPTION	DATE	APPROVED
6	UPDATED FORMAT	12/01/05	MAM

EITHER ROTATION-SINGLE VOLTAGE-TYPE KC OR KH-WITH THERMAL PROTECTOR



NOTE #1 - TO REVERSE ROTATION INTERCHANGE RED (T8) AND BLACK (J9-KC OR T5-KH) LEADS.  
 NOTE #2 - WHEN MORE THAN ONE CAPACITOR IS USED CONNECT IN PARALLEL.

SWITCH (C) - 115D958AB REF. DIAG. - 121A851 CONN. LABEL - 52X332048

SIGNATURES	DATE
MODEL M.D.PAPE	06/29/87
DETAIL	
CHECKED	
ENGRG	
MFG	
QUALITY	
ISSUED	M.D.P. 03/08/00
SOLID MODEL: 52A105379AA	

**REGAL-BELOIT CORPORATION**

**REGAL-BELOIT**

**CONNECTION DIAGRAM**

**FMF - 30 FR SWITCH REDESIGN**

SCALE: 1.000 REF. No.:

52A105379AA

REV 6

SHEET 1 of 1