

PRODUCT INFORMATION PACKET

Modal No: 5KH39QN5508
Catalog No: 4369
1/3,1725,DP,48,1/60/115
Open Drip Proof (ODP)



Regal and Marathon are trademarks of Regal Beloit Corporation or one of its affiliated companies.
©2017 Regal Beloit Corporation, All Rights Reserved. MC017097E



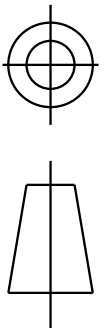
Nameplate Specifications

| | | | |
|------------------------|-------------------|----------------------------|-----------------|
| Output HP | 0.33 Hp | Output KW | 0.25 kW |
| Frequency | 60 Hz | Voltage | 115 V |
| Current | 6.2 A | Speed | 1725 rpm |
| Service Factor | 1 | Phases | 1 |
| Efficiency | 59.5 % | Duty | CONT |
| Insulation Class | B | KVA Code | T |
| Frame | 48 | Enclosure | DP |
| Overload Protector | N/R | Ambient Temperature | 40 °C |
| Drive End Bearing Size | 6203 | Opp Drive End Bearing Size | 6203 |
| UL | Recognized | CSA | Yes |
| CE | N | | |

Technical Specifications

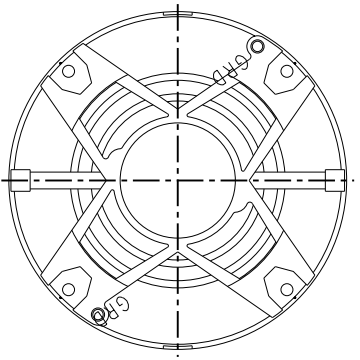
| | | | |
|-------------------|---------------------|-----------------------|----------------|
| Electrical Type | Split Phase | Starting Method | SM |
| Poles | 4 | Rotation | CCW/CW |
| Mounting | RB | Motor Orientation | ANY |
| Drive End Bearing | BALL | Opp Drive End Bearing | BALL |
| Frame Material | Rolled Steel | Overall Length | 8.94 in |
| Frame Length | 5.16 in | Shaft Diameter | 0.5 in |
| Shaft Extension | 1.5 in | | |

THIRD ANGLE PROJECTION

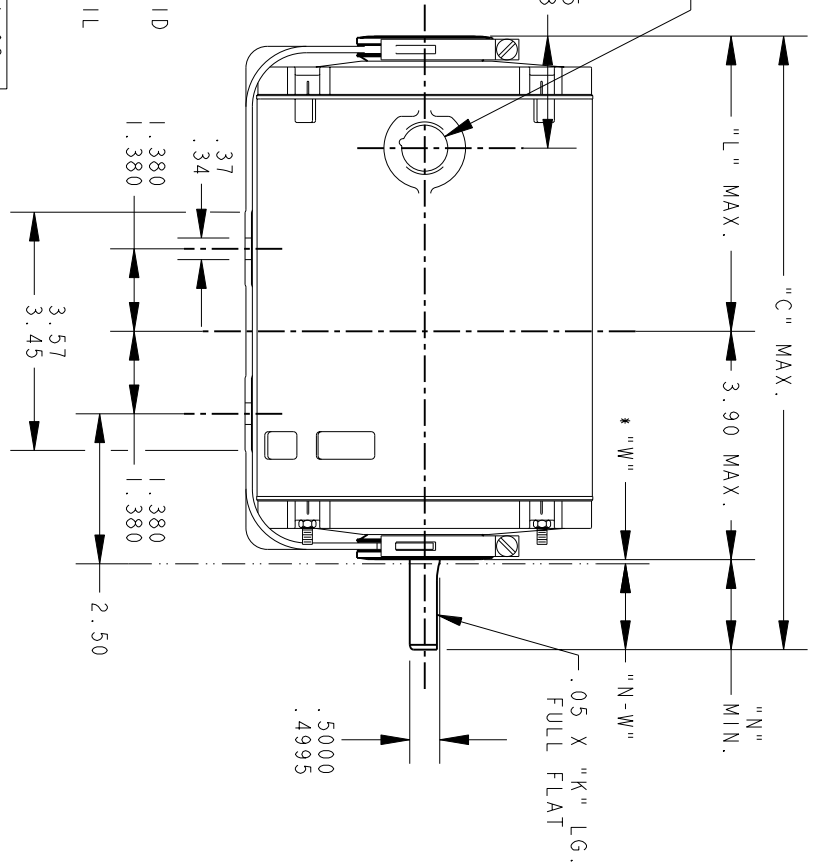
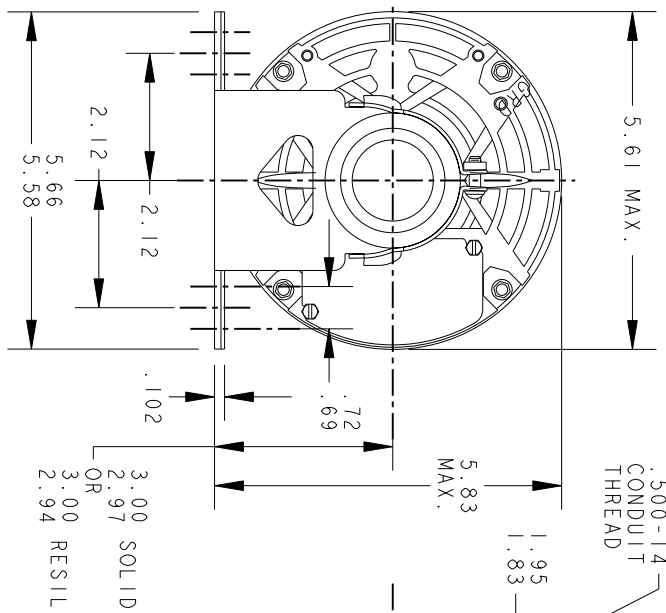


REVISIONS

| REV. | DESCRIPTION | DATE | APPROVED |
|------|---------------------------------|----------|----------|
| 3 | REDRAWN WITHOUT CHANGE | 08/30/91 | BLJ |
| 4 | REDRAWN BY 2M SOFTWARE CO. | 03/04/95 | CCP |
| 5 | CHG TO RBC FORMAT PER IS05-1777 | 02/14/06 | SUDHA |



VIEW SHOWING P.E. VENTILATION OPENINGS



| P | TYPE | GE SIZE | NEMA FR | "C" | "K" | "L" | "N" | "N-W" |
|---|------|---------|---------|-------|------|------|------|--------------|
| 1 | K KH | 32 | 48 | 8.93 | 1.16 | 3.59 | 1.50 | 1.63 1.41 |
| 2 | KH | 33 | 48 | 9.18 | 1.16 | 3.84 | 1.50 | 1.63 1.41 |
| 3 | KH | 32 | 487 | 10.74 | 2.22 | 3.59 | 3.31 | 3.44 3.22 |
| 4 | KH | 35 | 48 | 9.56 | 1.16 | 4.22 | 1.50 | 1.63 1.41 |

* "W" IS A CLEARANCE DUE TO VARIATION IN PARTS AND ASSEMBLY



REGAL-BELOTT CORPORATION

OUTLINE

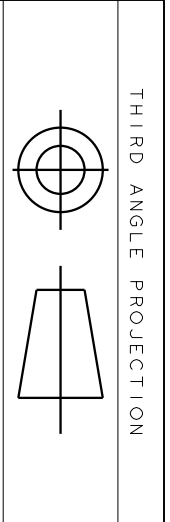
FORM N - GENERAL PURPOSE MOTOR - DRIP PROOF
SOLID OR RESIL. BASE - BALL OR SLEEVE BEARING

| SIGNATURES | | DATE |
|--------------|-------------|----------|
| MODEL | J.L. MORRIS | 02/11/89 |
| DETAIL | | |
| CHECKED | | |
| ENGRG | | |
| MFG | | |
| QUALITY | | |
| ISSUED | C.C.P. | 03/04/95 |
| SOLID MODEL: | 52A106918 | |

| SIZE | SCALE | REF. No. | SHEET |
|------|-------|----------|--------|
| A | 0.250 | | 1 of 1 |

52A106918

REV 5

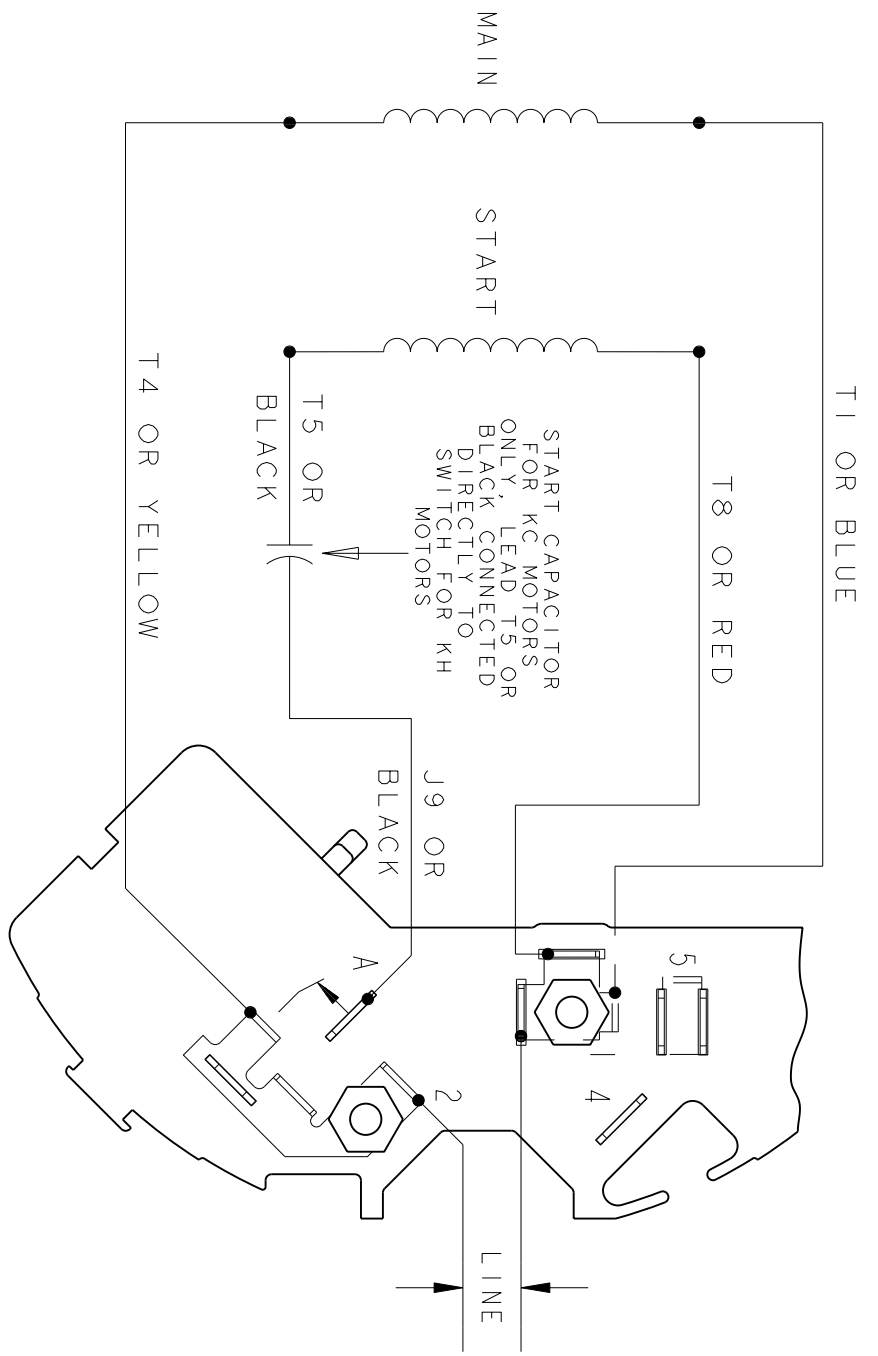


THIRD ANGLE PROJECTION

REVISIONS

| REV. | DESCRIPTION | DATE | APPROVED |
|------|----------------|----------|----------|
| 1 | UPDATED FORMAT | 11/10/05 | MAM |

EITHER ROTATION - SINGLE VOLTAGE
TYPE KC, OR KH



NOTE #1 - TO REVERSE ROTATION INTERCHANGE BLACK (T5-KH OR J9-KC) AND RED (T8) LEADS.

NOTE #2 - WHEN MORE THAN ONE CAPACITOR IS USED CONNECT IN PARALLEL.

| | | | |
|--------------------------|--------------------------|-------------------------------|--|
| REF. DIAG. - 121A850 | | SWITCH (C) - 115D958AB | |
| SIGNATURES | | CONNECTION LABEL - 52X332047 | |
| MODEL | M.D. PAPER | REGAL-BELOIT CORPORATION | |
| DETAIL | DATE | REGAL-BELOIT | |
| CHECKED | | CONNECTION DIAGRAM | |
| ENGRG | | FME: 30 FRAME SWITCH REDESIGN | |
| MFG | | 52A105377AA | |
| APPLIED PRACTICES | QUALITY | SCALE: 1.000 | |
| DIMENSIONS ARE IN INCHES | ISSUED | REF. No: | |
| MATERIAL | SOLID MODEL: 52A105377AA | SHEET 1 of 1 | |