

PRODUCT INFORMATION PACKET

Modal No: 5KH39QN5512T
Catalog No: 4701
1/4,1725,OPEN,48Y,1/60/115
Fan and Blower



Regal and Marathon are trademarks of Regal Beloit Corporation or one of its affiliated companies.
©2017 Regal Beloit Corporation, All Rights Reserved. MC017097E



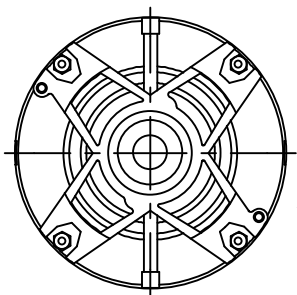
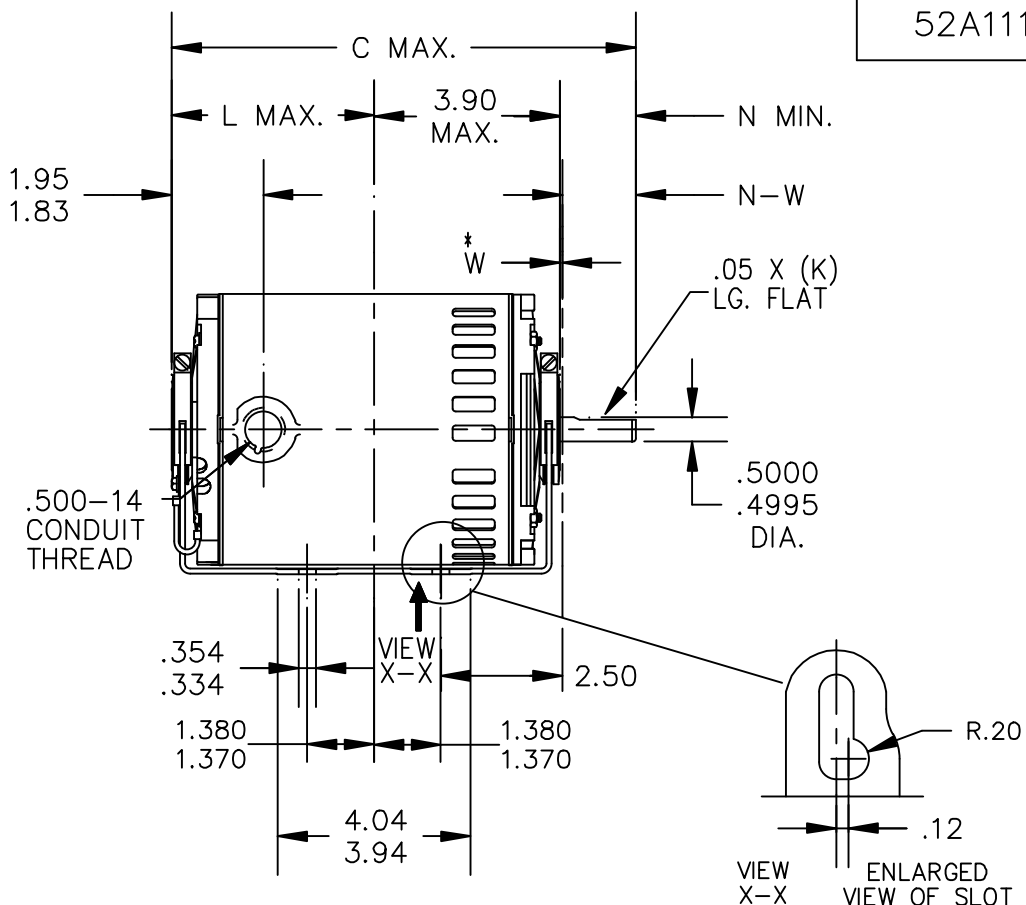
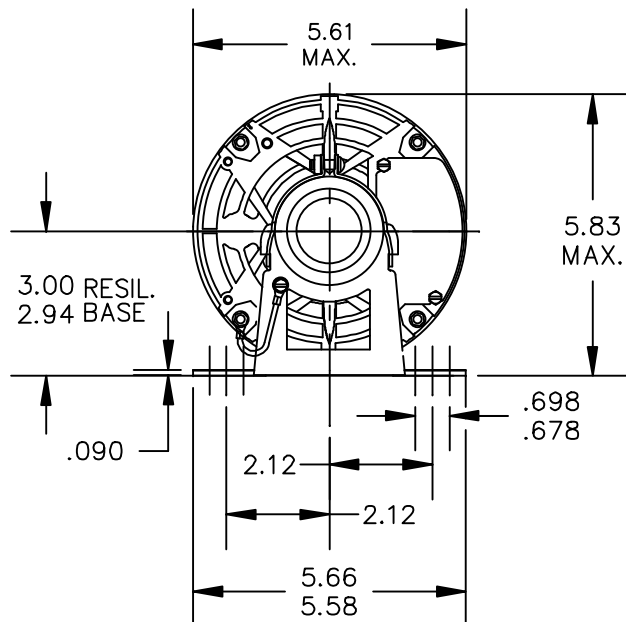
Nameplate Specifications

Output HP	0.25 Hp	Output KW	0.19 kW
Frequency	60 Hz	Voltage	115 V
Current	5.1 A	Speed	1725 rpm
Service Factor	1.35	Phases	1
Efficiency	51.9 %	Duty	CONT
Insulation Class	B	KVA Code	P
Frame	48Y	Enclosure	OPEN
Overload Protector	AUTO	Ambient Temperature	40 °C
Drive End Bearing Size	6203	Opp Drive End Bearing Size	6203
UL	Recognized	CSA	Yes
CE	N		

Technical Specifications

Electrical Type	Split Phase	Starting Method	SM
Poles	4	Rotation	CCW/CW
Mounting	RB	Motor Orientation	ANY
Drive End Bearing	BALL	Opp Drive End Bearing	BALL
Frame Material	Rolled Steel	Overall Length	8.94 in
Frame Length	5.41 in	Shaft Diameter	0.5 in
Shaft Extension	1.5 in	Thru-bolts Extension	0

52A111771

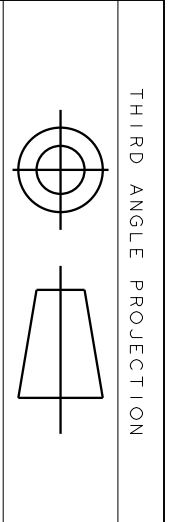


VIEW SHOWING P.E. VENTILATION OPENINGS

W* IS A CLEARANCE DUE TO VARIATION IN PARTS AND ASSEMBLY.

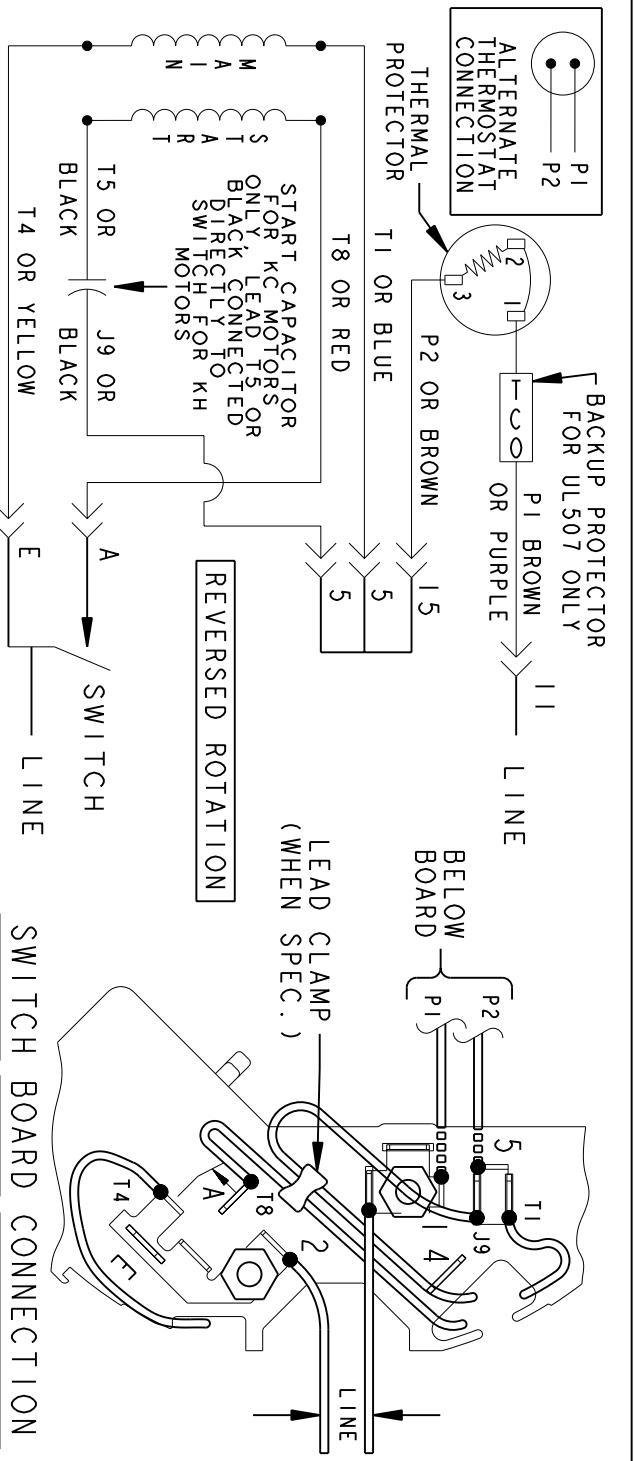
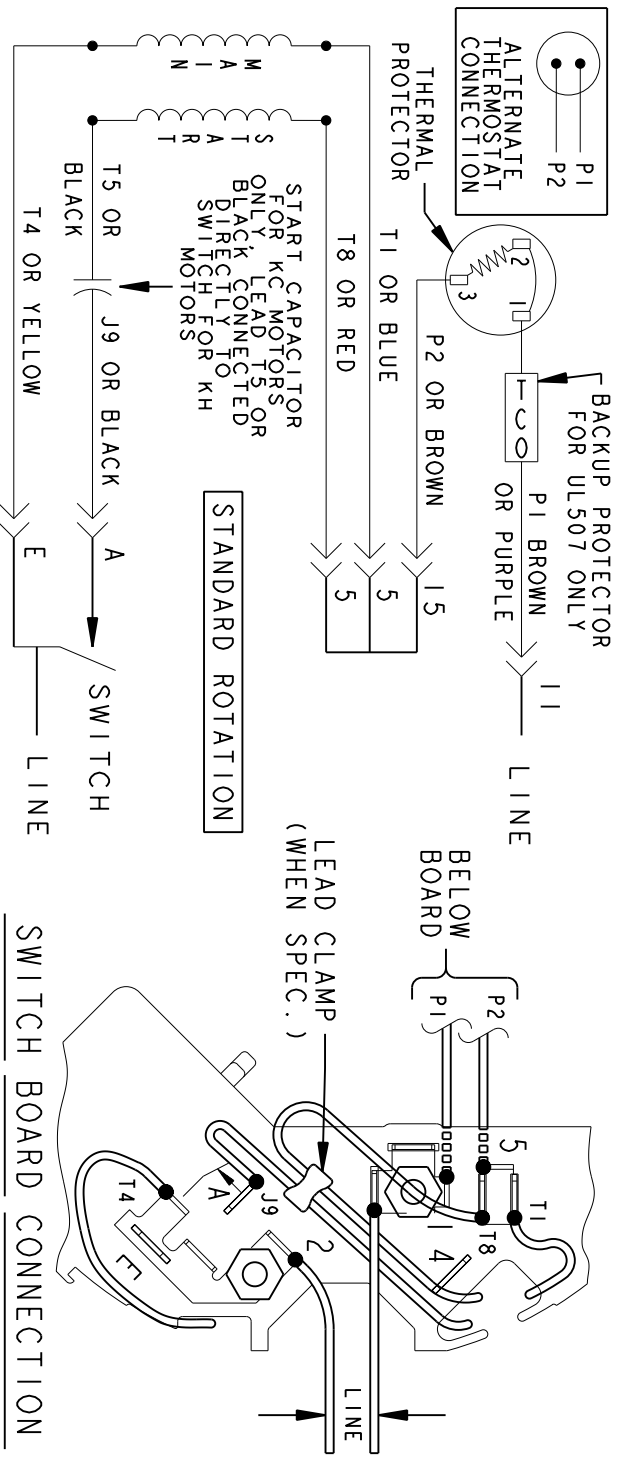
4	K	KH	32	48Y	8.94	1.25	3.59	1.50	1.63/1.41
3	K	KH	33	48Y	9.19	1.16	3.84	1.50	1.63/1.41
2	K	KH	32	48Y	8.94	1.16	3.59	1.50	1.63/1.41
1	K	KH	35	48Y	9.57	1.16	4.22	1.50	1.63/1.41
P	TYPE	RBC SIZE	NEMA FR	C	K	L	N	N-W	

				TOLERANCES UNLESS SPECIFIED		REGAL-BELOIT CORPORATION				DRAWN DS 02/26/07	
				DEC.	INCHES	REGAL-BELOIT CORPORATION				CHK	
3	CHG GD LD 4:30 TO 7:30 PER IS11-0510 & REDRAWN IN DRAFT SIGHT	UD	9/24/12	PKG	.X	±0.1	TITLE				APPD DS 02/26/07
2	ADDED P4 PER IS10 - 2231	PN	9/16/10		.XXX	±0.005	OUTLINE				SCALE 1=1
1	GROUND LEAD ADDED PER IS07-0531	BM	10/26/07		.XXXX	±0.0005	DRIP PROOF RESIL. BASE				REF
NO.	REVISION	BY & DATE	CHK	ANG	±1.0	FINISH	3 of 4				FMF
											PREV



REV.	DESCRIPTION	DATE	APPROVED
6	UPDATED FORMAT	12/01/05	MAM

EITHER ROTATION-SINGLE VOLTAGE-TYPE KC OR KH-WITH THERMAL PROTECTOR



NOTE #1 - TO REVERSE ROTATION INTERCHANGE RED (T8) AND BLACK (J9-KC OR T5-KH) LEADS.
 NOTE #2 - WHEN MORE THAN ONE CAPACITOR IS USED CONNECT IN PARALLEL.

SWITCH (C) - 115D958AB REF. DIAG. - 121A851 CONN. LABEL - 52X332048

SIGNATURES	DATE
MODEL M.D.PAPE	06/29/87
DETAIL	
CHECKED	
ENGRG	
MFG	
QUALITY	
ISSUED	M.D.P. 03/08/00
SOLID MODEL: 52A105379AA	



REGAL-BELOTT CORPORATION
CONNECTION DIAGRAM

FMF - 30 FR SWITCH REDESIGN

52A105379AA

SCALE: 1.000 REF. No.: SHEET 1 of 1