

PRODUCT INFORMATION PACKET

Modal No: 5KH39QN5523
Catalog No: 4359
1/4,1725,DP,56Z,1/60/115
Open Drip Proof (ODP)



Regal and Marathon are trademarks of Regal Beloit Corporation or one of its affiliated companies.
©2017 Regal Beloit Corporation, All Rights Reserved. MC017097E



Nameplate Specifications

Output HP	0.25 Hp	Output KW	0.19 kW
Frequency	60 Hz	Voltage	115 V
Current	5.7 A	Speed	1725 rpm
Service Factor	1	Phases	1
Efficiency	46.5 %	Duty	CONT
Insulation Class	B	KVA Code	S
Frame	56Z	Enclosure	DP
Overload Protector	N/R	Ambient Temperature	40 °C
Drive End Bearing Size	6203	Opp Drive End Bearing Size	6203
UL	Recognized	CSA	Yes
CE	N		

Technical Specifications

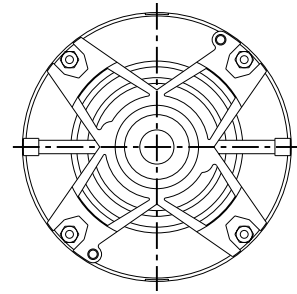
Electrical Type	Split Phase	Starting Method	SM
Poles	4	Rotation	CCW/CW
Mounting	RB	Motor Orientation	ANY
Drive End Bearing	BALL	Opp Drive End Bearing	BALL
Frame Material	Rolled Steel	Overall Length	9.19 in
Frame Length	5.41 in	Shaft Diameter	0.5 in
Shaft Extension	1.5 in		

THIRD ANGLE PROJECTION

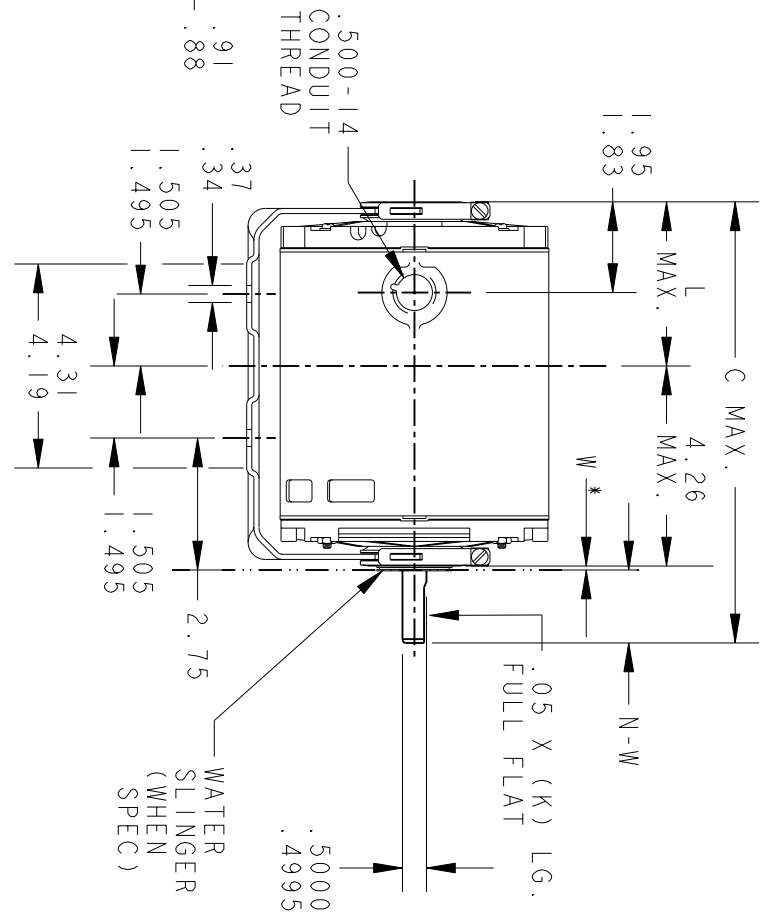
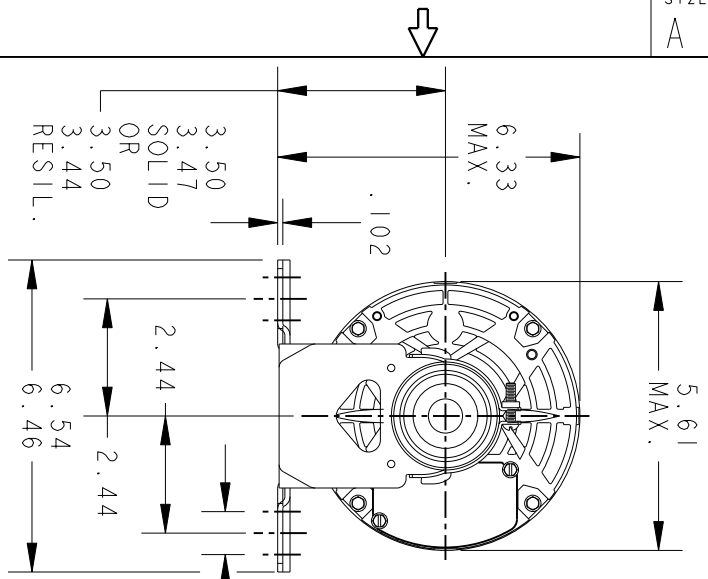


REVISIONS

REV.	DESCRIPTION	DATE	APPROVED
3	CHGD. TO BALL/SLV BRG. IN TITLE	03/10/94	M.D. PAPE
4	REDRAWN BY 2M SOFTWARE CO.	02/10/95	CCP
5	CHG TO RBC FORMAT PER IS05-1777	02/15/06	SUDHA



VIEW SHOWING P.E. VENTILATION OPENINGS



W * IS A CLEARANCE DUE TO VARIATION IN PARTS AND ASSEMBLY.

P	TYPE	GE SIZE	NEMA FR	C	K	L	N	N-W
1	KH	33	56Z	9.19	1.16	3.48	1.50	1.63/1.41



REGAL-BELOTT CORPORATION

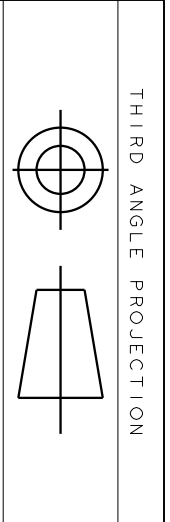
TITLE
FORM N - GENERAL PURPOSE MOTOR -

FOR ADDITIONAL INFO REFER TO:	QUALITY	MFG	ENGRG	CHECKED	DETAIL	MODEL	M.A.M.	DATE
APPLIED PRACTICES	ISSUED							
DIMENSIONS ARE IN INCHES	SOLID MODEL: 52A106942							

DRIP PROOF - RESIL BASE - BALL/SLV BEARING FWF: 5KH39QNS523	SIZE DRAWING	SCALE: 0.250	REF. No.:	SHEET 1 of 1
	A			

52A106942

REV 5

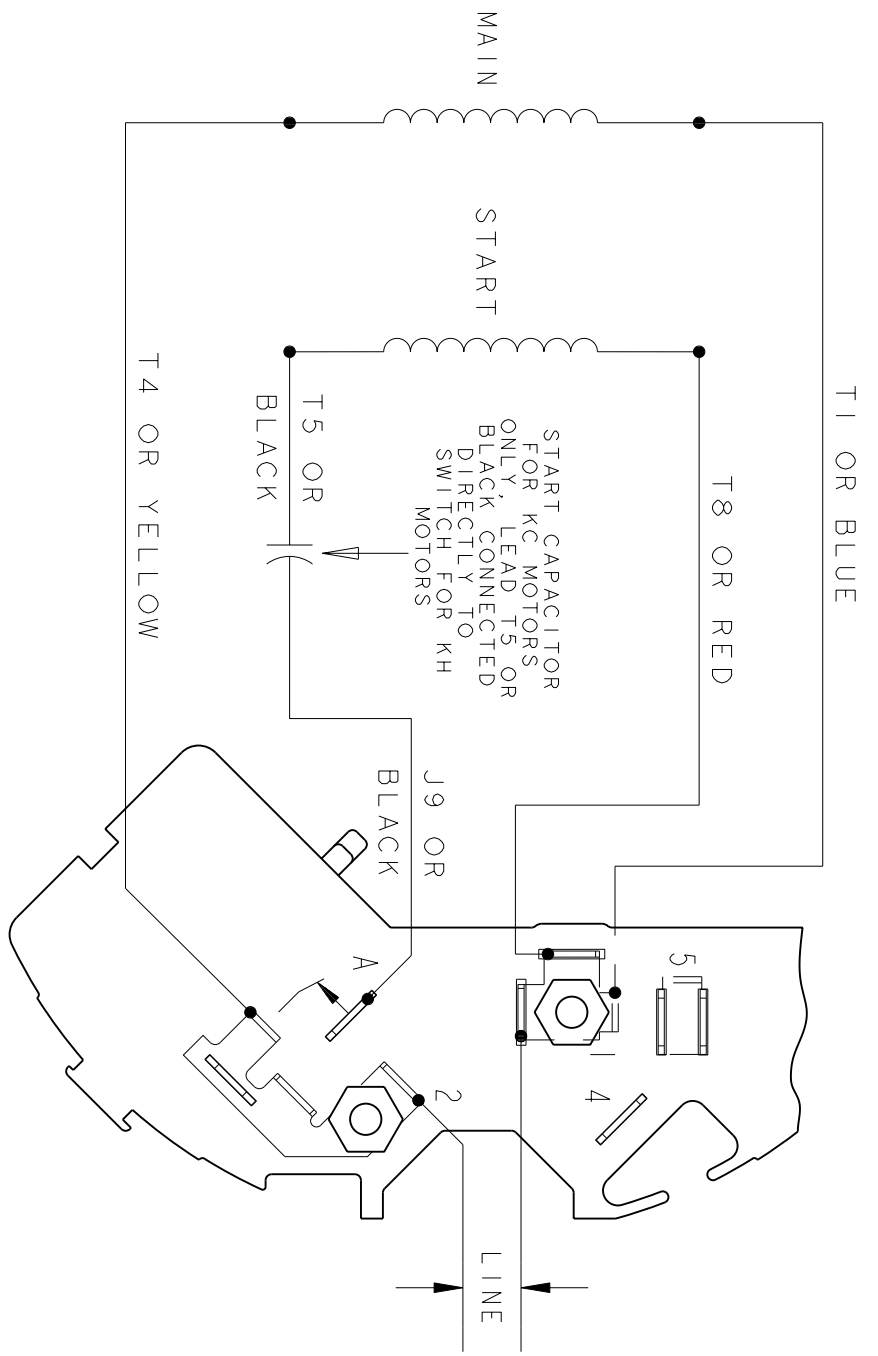


THIRD ANGLE PROJECTION

REVISIONS

REV.	DESCRIPTION	DATE	APPROVED
1	UPDATED FORMAT	11/10/05	MAM

EITHER ROTATION - SINGLE VOLTAGE
TYPE KC, OR KH



NOTE #1 - TO REVERSE ROTATION INTERCHANGE BLACK (T5-KH OR J9-KC) AND RED (T8) LEADS.

NOTE #2 - WHEN MORE THAN ONE CAPACITOR IS USED CONNECT IN PARALLEL.

REF. DIAG. - 121A850		SWITCH (C) - 115D958AB	
CONNECTION LABEL - 52X332047			
SIGNATURES			
MODEL	M.D. PAPE	DATE	06/29/87
DETAIL			
CHECKED			
ENGRG			
MFG			
APPLIED PRACTICES	QUALITY		
DIMENSIONS ARE IN INCHES	ISSUED	M.D.P.	06/29/87
MATERIAL	SOLID MODEL: 52A105377AA		



REGAL-BELOLT CORPORATION

TITLE
CONNECTION DIAGRAM

FME: 30 FRAME SWITCH REDESIGN

52A105377AA

SCALE: 1.000	REF. No:	SHEET 1 of 1
--------------	----------	--------------