

# PRODUCT INFORMATION PACKET

Modal No: 5KH39QN5528X  
Catalog No: 4381  
1/3,1725,DP,56Z,1/60/115  
Open Drip Proof (ODP)



Regal and Marathon are trademarks of Regal Beloit Corporation or one of its affiliated companies.  
©2017 Regal Beloit Corporation, All Rights Reserved. MC017097E



## Nameplate Specifications

Output HP	<b>0.33 Hp</b>	Output KW	<b>0.25 kW</b>
Frequency	<b>60 Hz</b>	Voltage	<b>115 V</b>
Current	<b>6.2 A</b>	Speed	<b>1725 rpm</b>
Service Factor	<b>1</b>	Phases	<b>1</b>
Efficiency	<b>59.5 %</b>	Duty	<b>CONT</b>
Insulation Class	<b>B</b>	KVA Code	<b>T</b>
Frame	<b>56Z</b>	Enclosure	<b>DP</b>
Overload Protector	<b>AUTO</b>	Ambient Temperature	<b>40 °C</b>
Drive End Bearing Size	<b>6203</b>	Opp Drive End Bearing Size	<b>6203</b>
UL	<b>Recognized</b>	CSA	<b>Yes</b>
CE	<b>N</b>		

## Technical Specifications

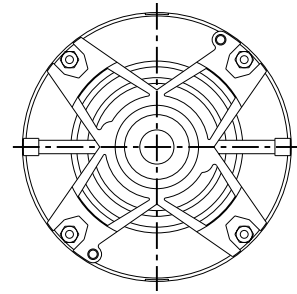
Electrical Type	<b>Split Phase</b>	Starting Method	<b>SM</b>
Poles	<b>4</b>	Rotation	<b>CCW/CW</b>
Mounting	<b>RB</b>	Motor Orientation	<b>ANY</b>
Drive End Bearing	<b>BALL</b>	Opp Drive End Bearing	<b>BALL</b>
Frame Material	<b>Rolled Steel</b>	Overall Length	<b>9.19 in</b>
Frame Length	<b>5.41 in</b>	Shaft Diameter	<b>0.5 in</b>
Shaft Extension	<b>1.5 in</b>		

THIRD ANGLE PROJECTION

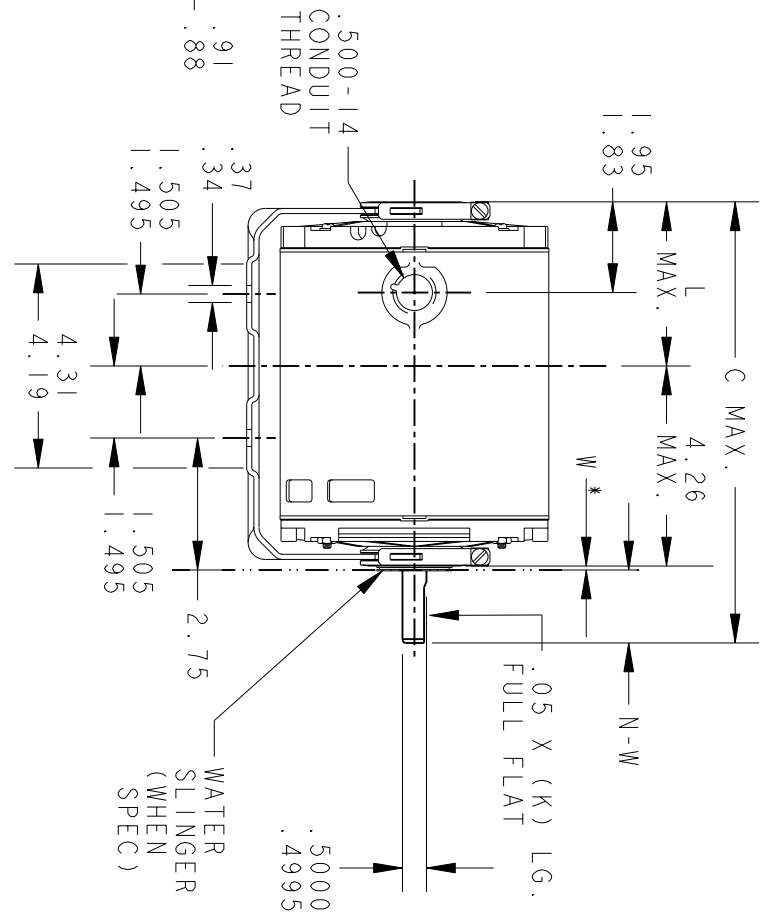
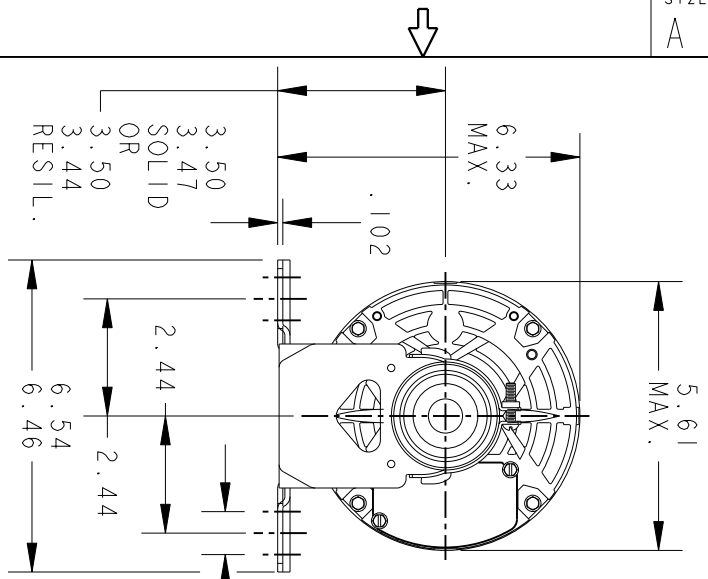


REVISIONS

REV.	DESCRIPTION	DATE	APPROVED
3	CHGD. TO BALL/SLV BRG. IN TITLE	03/10/94	M.D. PAPE
4	REDRAWN BY 2M SOFTWARE CO.	02/10/95	CCP
5	CHG TO RBC FORMAT PER IS05-1777	02/15/06	SUDHA



VIEW SHOWING P.E. VENTILATION OPENINGS



W \* IS A CLEARANCE DUE TO VARIATION IN PARTS AND ASSEMBLY.

P	TYPE	GE SIZE	NEMA FR	C	K	L	N	N-W
1	KH	33	56Z	9.19	1.16	3.48	1.50	1.63/1.41



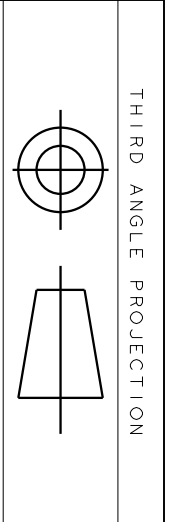
REGAL-BELOTT CORPORATION

TITLE  
FORM N - GENERAL PURPOSE MOTOR -

DRIP PROOF - RESIL BASE - BALL/SLV BEARING FWF: 5KH39QNS523

FOR ADDITIONAL INFO REFER TO:	QUALITY	MFG	ENGRG	CHECKED	DETAIL	MODEL	M.A.M.	DATE
APPLIED PRACTICES	ISSUED							
DIMENSIONS ARE IN INCHES	QUALITY							
MATERIAL	ISSUED							

SCALE: 0.250	REF. No.:	SHEET 1 of 1
SIZE: DRAWING A	REV 5	



REV.	DESCRIPTION	DATE	APPROVED
6	UPDATED FORMAT	12/01/05	MAM

EITHER ROTATION-SINGLE VOLTAGE-TYPE KC OR KH-WITH THERMAL PROTECTOR



NOTE #1 - TO REVERSE ROTATION INTERCHANGE RED (T8) AND BLACK (J9-KC OR T5-KH) LEADS.  
 NOTE #2 - WHEN MORE THAN ONE CAPACITOR IS USED CONNECT IN PARALLEL.

SWITCH (C) - 115D958AB REF. DIAG. - 121A851 CONN. LABEL - 52X332048

SIGNATURES	DATE
MODEL M.D.PAPE	06/29/87
DETAIL	
CHECKED	
ENGRG	
MFG	
QUALITY	
ISSUED	M.D.P. 03/08/00
SOLID MODEL: 52A105379AA	

**REGAL-BELOIT CORPORATION**

**REGAL-BELOIT**

TITLE: **CONNECTION DIAGRAM**

SIZE: DRAWING A

SCALE: 1.000 REF. No.:

30 FR SWITCH REDESIGN

52A105379AA

REV 6

SHEET 1 of 1