

PRODUCT INFORMATION PACKET

Modal No: 5KH39QN5529X
Catalog No: 4311
1/3, 1725, DP, 48, 1/60/230
Open Drip Proof (ODP)



Regal and Marathon are trademarks of Regal Beloit Corporation or one of its affiliated companies.
©2017 Regal Beloit Corporation, All Rights Reserved. MC017097E



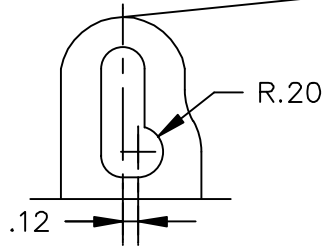
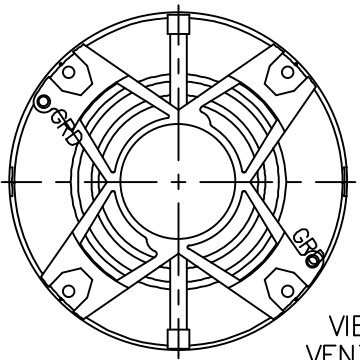
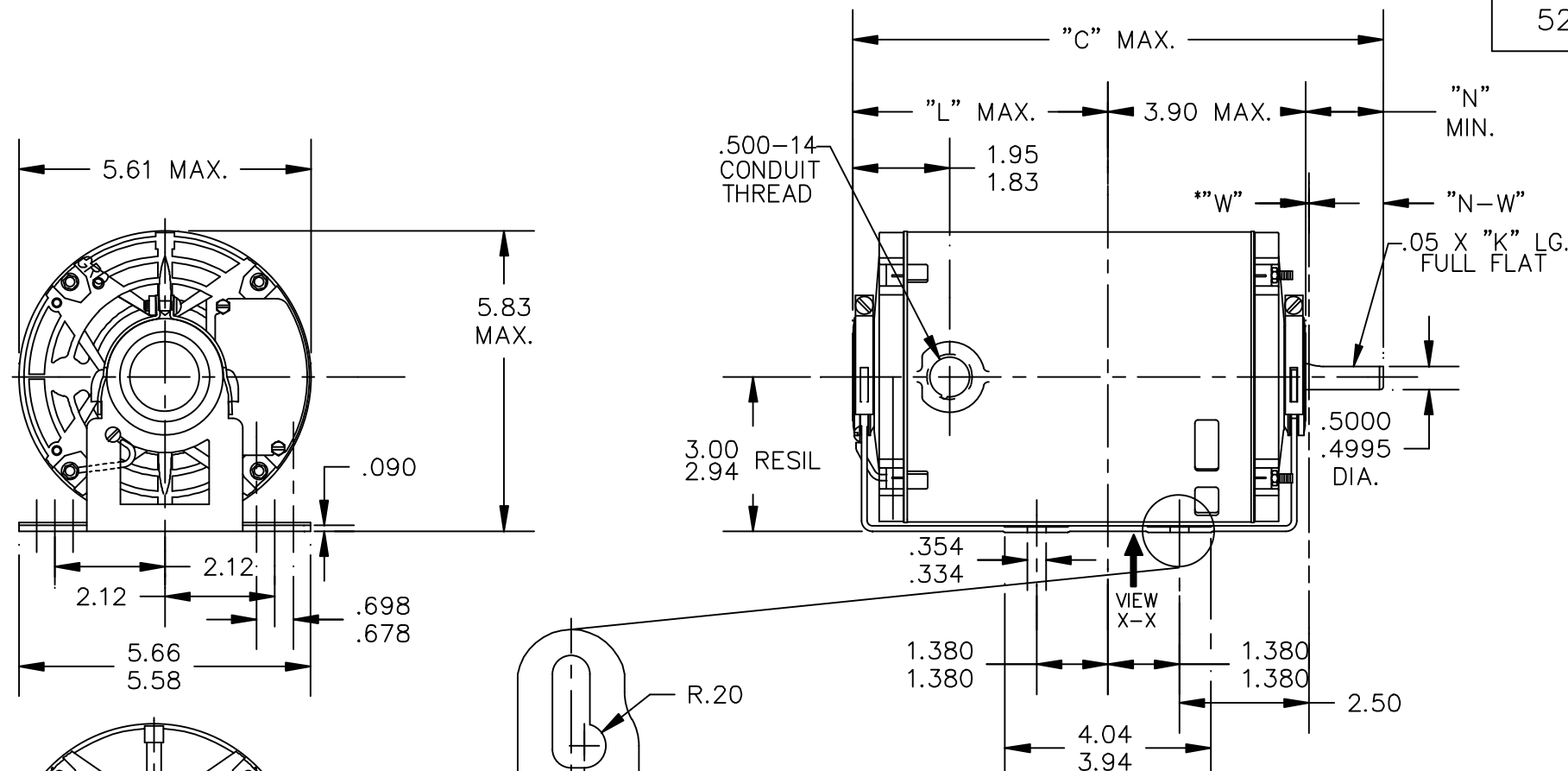
Nameplate Specifications

Output HP	0.33 Hp	Output KW	0.25 kW
Frequency	60 Hz	Voltage	230 V
Current	3.3 A	Speed	1725 rpm
Service Factor	1	Phases	1
Efficiency	57.5 %	Duty	CONT
Insulation Class	B	KVA Code	T
Frame	48	Enclosure	DP
Overload Protector	AUTO	Ambient Temperature	40 °C
Drive End Bearing Size	6203	Opp Drive End Bearing Size	6203
UL	Recognized	CSA	Yes
CE	N		

Technical Specifications

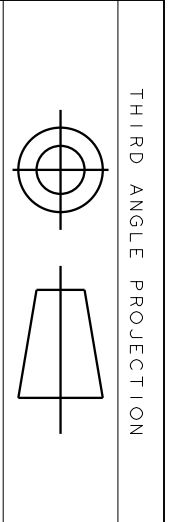
Electrical Type	Split Phase	Starting Method	SM
Poles	4	Rotation	CCW/CW
Mounting	RB	Motor Orientation	ANY
Drive End Bearing	BALL	Opp Drive End Bearing	BALL
Frame Material	Rolled Steel	Overall Length	8.93 in
Frame Length	5.16 in	Shaft Diameter	0.5 in
Shaft Extension	1.5 in		

52A111792



4	KH	35	48	9.56	1.16	4.22	1.50	1.63 1.41
3	KH	32	48Z	10.74	2.22	3.59	3.31	3.44 3.22
2	KH	33	48	9.18	1.16	3.84	1.50	1.63 1.41
1	K KH	32	48	8.93	1.16	3.59	1.50	1.63 1.41
P	TYPE	RBC SIZE	NEMA FR	"C"	"K"	"L"	"N"	"N-W"

				TOLERANCES UNLESS SPECIFIED		REGAL-BELOIT CORPORATION			DRAWN	PKG	09/01/07
				DEC.	INCHES	REGAL-BELOIT CORPORATION			CHK		
				.X	±0.1	REGAL-BELOIT CORPORATION			APPD	PKG	09/01/07
				.XX	±0.02	REGAL-BELOIT CORPORATION			SCALE	1=1	
				.XXX	±0.005	REGAL-BELOIT CORPORATION			REF		
01	REDRAWN IN DRAFT	SIGHT NO CHANGES	PVR	09/34/12	PKG	.XXXX	±0.0005	MAT'L.			
NO.	REVISION	BY & DATE	CHK	ANG	±1.0	FINISH	3 of 4		FMF		
						TITLE			PREV		
						OUTLINE					
						DRIP PROOF RESIL. BASE					



REV.	DESCRIPTION	DATE	APPROVED
6	UPDATED FORMAT	12/01/05	MAM

EITHER ROTATION-SINGLE VOLTAGE-TYPE KC OR KH-WITH THERMAL PROTECTOR



NOTE #1 - TO REVERSE ROTATION INTERCHANGE RED (T8) AND BLACK (J9-KC OR T5-KH) LEADS.
 NOTE #2 - WHEN MORE THAN ONE CAPACITOR IS USED CONNECT IN PARALLEL.

SWITCH (C) - 115D958AB REF. DIAG. - 121A851 CONN. LABEL - 52X332048

SIGNATURES	DATE
MODEL M.D.PAPE	06/29/87
DETAIL	
CHECKED	
ENGRG	
MFG	
QUALITY	
ISSUED	M.D.P. 03/08/00
SOLID MODEL: 52A105379AA	

REGAL-BELOIT CORPORATION

REGAL-BELOIT

CONNECTION DIAGRAM

FMF - 30 FR SWITCH REDESIGN

SCALE: 1.000 REF. No.:

52A105379AA

REV 6

SHEET 1 of 1