

PRODUCT INFORMATION PACKET

Modal No: 5KH39QN5538X
Catalog No: 4350
1/6,1725,DP,56Z,1/60/115
Fan and Blower



Regal and Marathon are trademarks of Regal Beloit Corporation or one of its affiliated companies.
©2017 Regal Beloit Corporation, All Rights Reserved. MC017097E

Nameplate Specifications

Output HP	0.17 Hp	Output KW	0.13 kW
Frequency	60 Hz	Voltage	115 V
Current	3.9 A	Speed	1725 rpm
Service Factor	1.35	Phases	1
Efficiency	49.6 %	Duty	CONT
Insulation Class	B	KVA Code	S
Frame	56Z	Enclosure	DP
Overload Protector	AUTO	Ambient Temperature	40 °C
Drive End Bearing Size	6203	Opp Drive End Bearing Size	6203
UL	Recognized	CSA	Yes
CE	N		

Technical Specifications

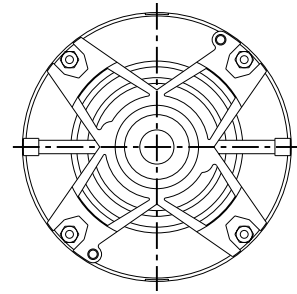
Electrical Type	Split Phase	Starting Method	SM
Poles	4	Rotation	CCW/CW
Mounting	RB	Motor Orientation	ANY
Drive End Bearing	BALL	Opp Drive End Bearing	BALL
Frame Material	Rolled Steel	Overall Length	9.19 in
Frame Length	5.41 in	Shaft Diameter	0.5 in
Shaft Extension	1.5 in	Thru-bolts Extension	0

THIRD ANGLE PROJECTION

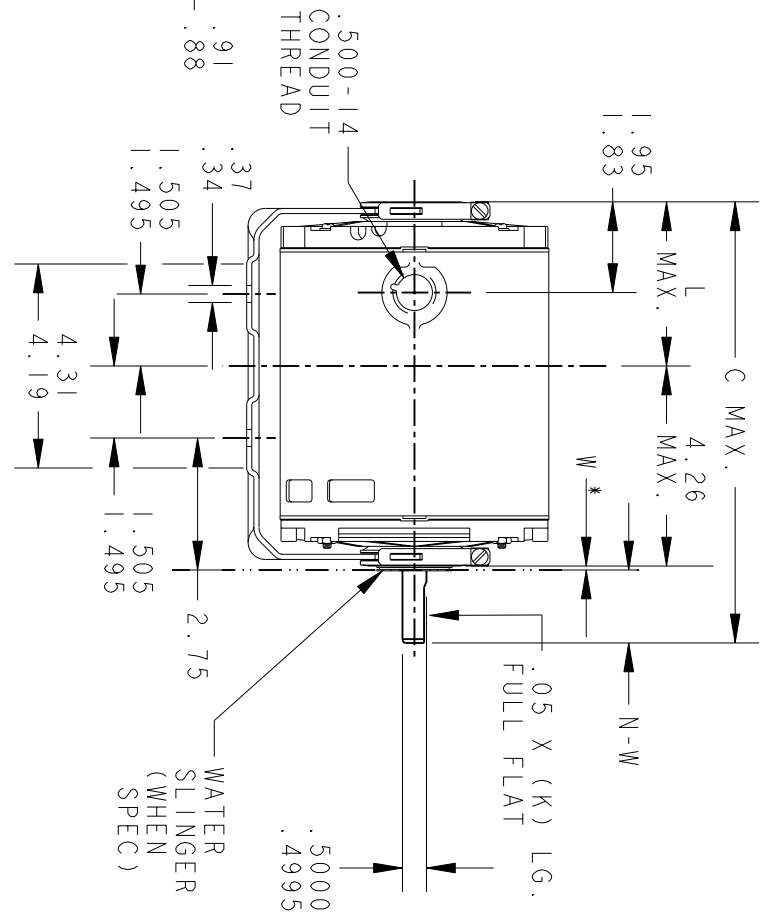
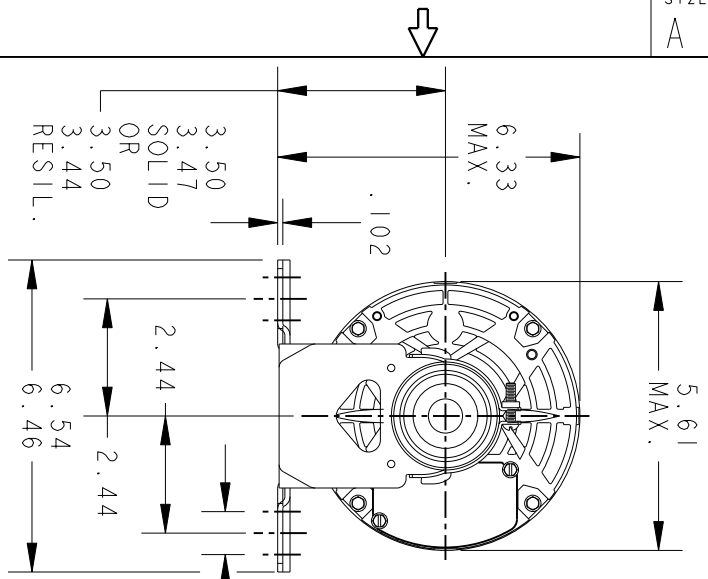


REVISIONS

REV.	DESCRIPTION	DATE	APPROVED
3	CHGD. TO BALL/SLV BRG. IN TITLE	03/10/94	M.D. PAPE
4	REDRAWN BY 2M SOFTWARE CO.	02/10/95	CCP
5	CHG TO RBC FORMAT PER IS05-1777	02/15/06	SUDHA



VIEW SHOWING
P.E. VENTILATION
OPENINGS



W * IS A CLEARANCE DUE TO VARIATION IN PARTS AND ASSEMBLY.

P	TYPE	GE SIZE	NEMA FR	C	K	L	N	N-W
1	KH	33	56Z	9.19	1.16	3.48	1.50	1.63/1.41



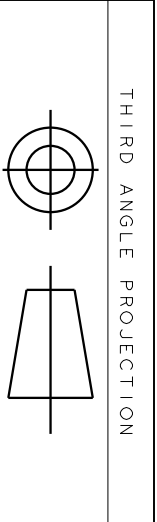
REGAL-BELOTT CORPORATION

TITLE
FORM N - GENERAL PURPOSE MOTOR -

DRIP PROOF - RESIL BASE - BALL/SLV BEARING FWF: 5KH39QNS523

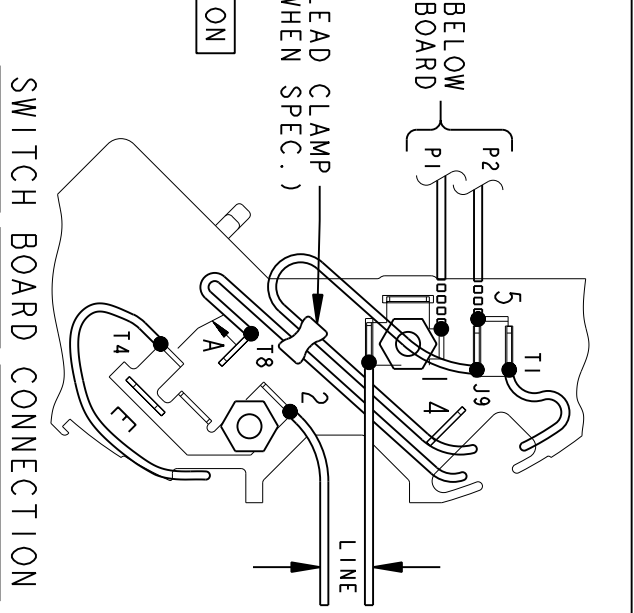
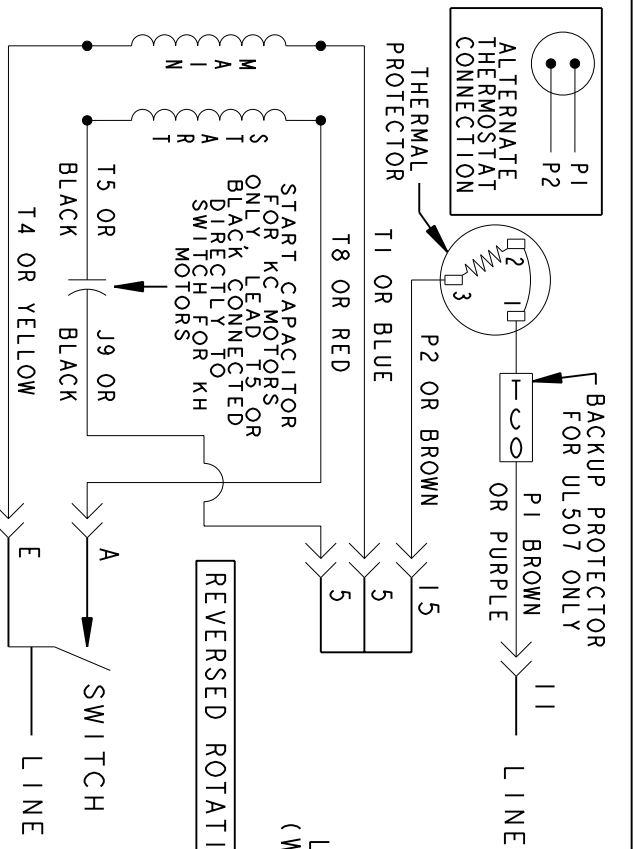
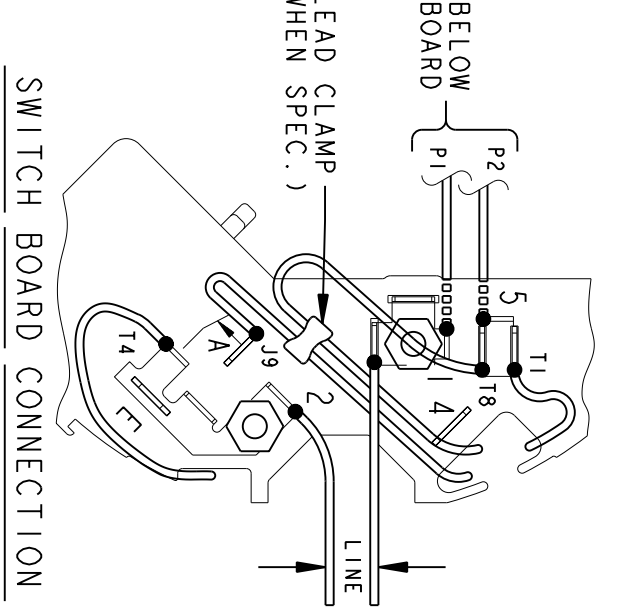
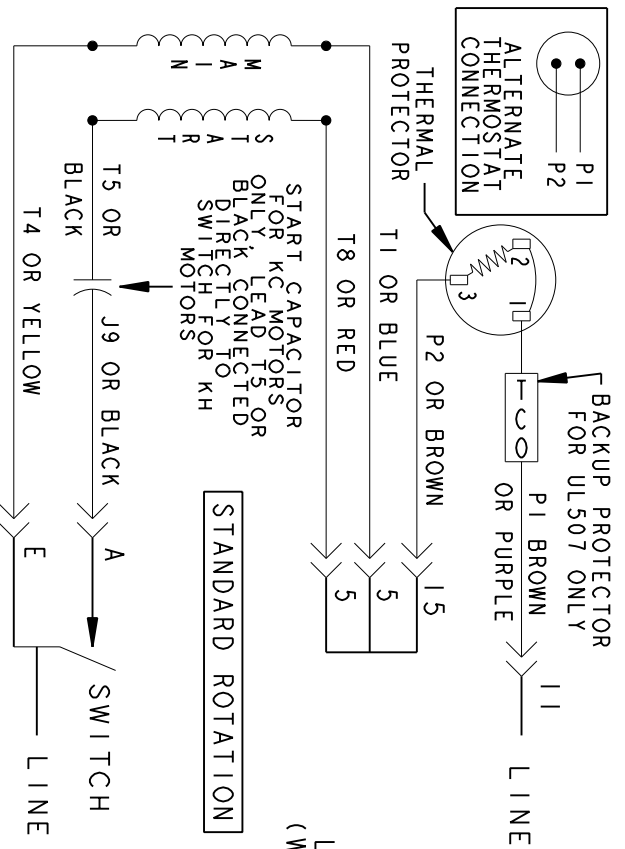
FOR ADDITIONAL INFO REFER TO:	QUALITY	MFG	ENGRG	CHECKED	DETAIL	MODEL	M.A.M.	DATE
APPLIED PRACTICES	ISSUED							
DIMENSIONS ARE IN INCHES	SOLID MODEL: 52A106942							

SCALE: 0.250	REF. No.:	SHEET 1 of 1
SIZE: DRAWING A	REV 5	



REV.	DESCRIPTION	DATE	APPROVED
6	UPDATED FORMAT	12/01/05	MAM

EITHER ROTATION-SINGLE VOLTAGE-TYPE KC OR KH-WITH THERMAL PROTECTOR



NOTE #1 - TO REVERSE ROTATION INTERCHANGE RED (T8) AND BLACK (J9-KC OR T5-KH) LEADS.
NOTE #2 - WHEN MORE THAN ONE CAPACITOR IS USED CONNECT IN PARALLEL.

SWITCH (C) - 115D958AB REF. DIAG. - 121A851 CONN. LABEL - 52X332048

SIGNATURES	DATE
MODEL M.D. PAPE	06/29/87
DETAIL	
CHECKED	
ENGRG	
MFG	
QUALITY	
ISSUED	M.D.P. 03/08/00
SOLID MODEL: 52A105379AA	



REGAL-BELOIT CORPORATION
CONNECTION DIAGRAM

FMF - 30 FR SWITCH REDESIGN

SIZE DRAWING A
SCALE: 1.000 REF. No.:
52A105379AA REV 6