

PRODUCT INFORMATION PACKET

Modal No: 5KH39QN5543
Catalog No: 4304
1/6,1725,DP,48,1/60/115
Fan and Blower



Regal and Marathon are trademarks of Regal Beloit Corporation or one of its affiliated companies.
©2017 Regal Beloit Corporation, All Rights Reserved. MC017097E

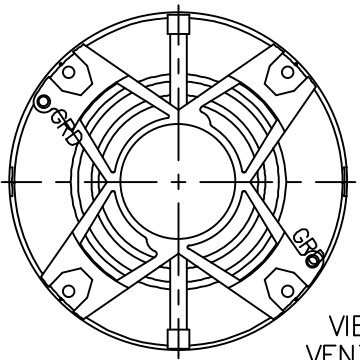
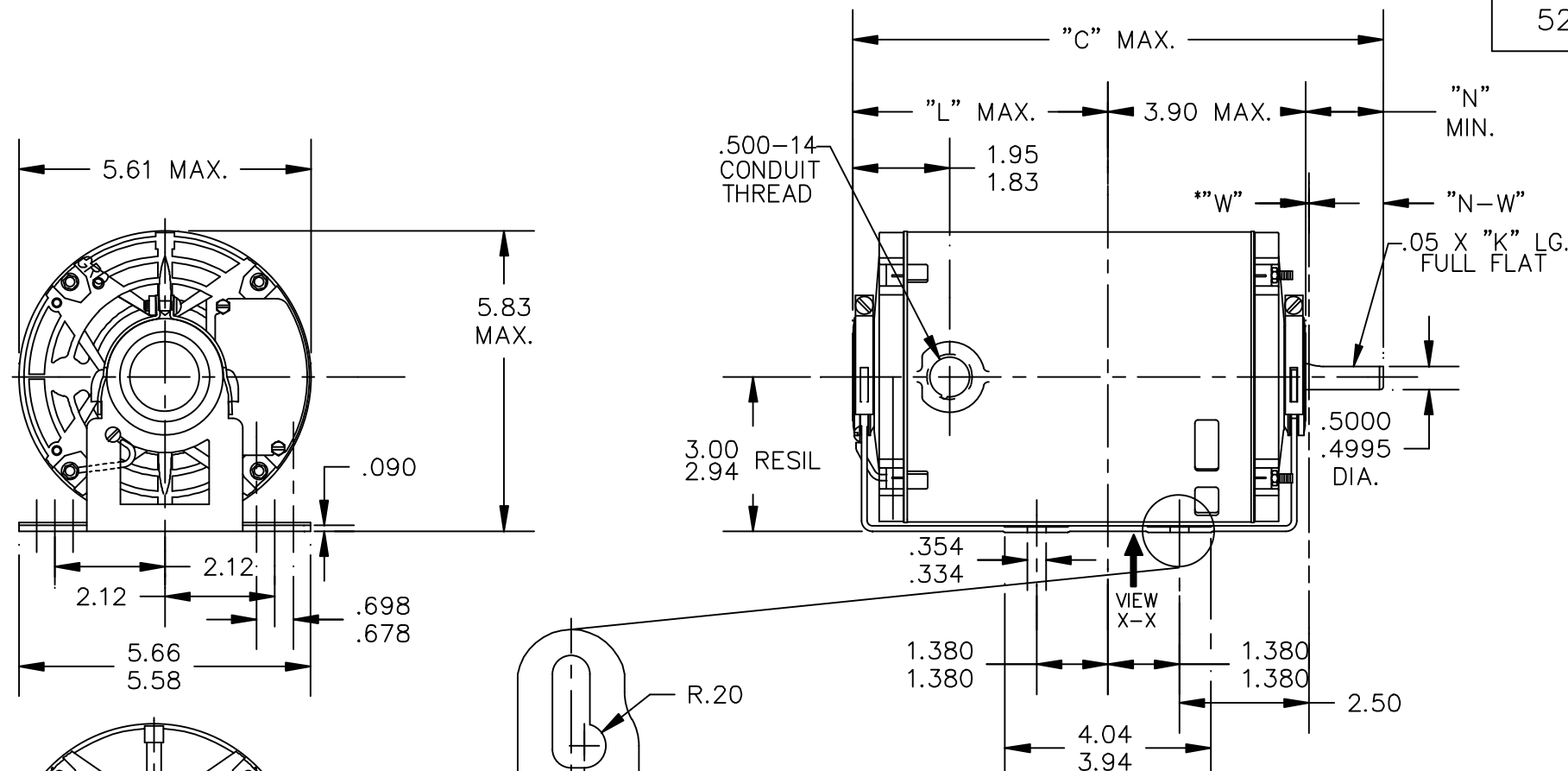
Nameplate Specifications

Output HP	0.17 Hp	Output KW	0.13 kW
Frequency	60 Hz	Voltage	115 V
Current	3.9 A	Speed	1725 rpm
Service Factor	1.35	Phases	1
Efficiency	48.5 %	Duty	CONT
Insulation Class	B	KVA Code	S
Frame	48	Enclosure	DP
Overload Protector	N/R	Ambient Temperature	40 °C
Drive End Bearing Size	6203	Opp Drive End Bearing Size	6203
UL	Recognized	CSA	Yes
CE	N		

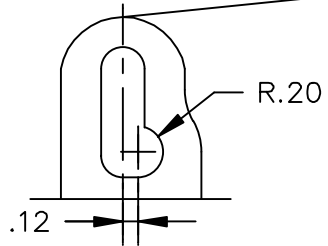
Technical Specifications

Electrical Type	Split Phase	Starting Method	SM
Poles	4	Rotation	CCW/CW
Mounting	RB	Motor Orientation	ANY
Drive End Bearing	BALL	Opp Drive End Bearing	BALL
Frame Material	Rolled Steel	Overall Length	8.93 in
Frame Length	5.16 in	Shaft Diameter	0.5 in
Shaft Extension	1.5 in	Thru-bolts Extension	0

52A111792




VIEW SHOWING P.E. VENTILATION OPENINGS

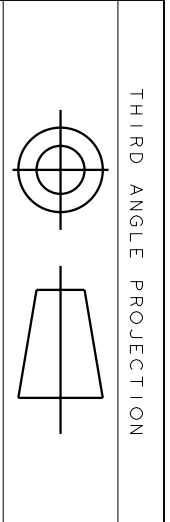


VIEW X-X ENLARGED VIEW OF SLOT

*"W" IS A CLEARANCE DUE TO VARIATION IN PARTS AND ASSEMBLY

4	KH	35	48	9.56	1.16	4.22	1.50	1.63
3	KH	32	48Z	10.74	2.22	3.59	3.31	3.44
2	KH	33	48	9.18	1.16	3.84	1.50	1.63
1	K KH	32	48	8.93	1.16	3.59	1.50	1.63
P	TYPE	RBC SIZE	NEMA FR	"C"	"K"	"L"	"N"	"N-W"

				TOLERANCES UNLESS SPECIFIED		 REGAL-BELOIT CORPORATION TITLE: OUTLINE DRIP PROOF RESIL. BASE DRAWN: PKG 09/01/07 CHK: APPD: PKG 09/01/07 SCALE: 1=1 REF: FMF: PREV:		
				DEC.	INCHES			
				.X	±0.1			
				.XX	±0.02			
				.XXX	±0.005			
01	REDRAWN IN DRAFT	SIGHT NO CHANGES	PVR 09/34/12	PKG	.XXXX	±0.0005	MAT'L.	
NO.	REVISION	BY & DATE	CHK	ANG	±1.0	FINISH	3 of 4	

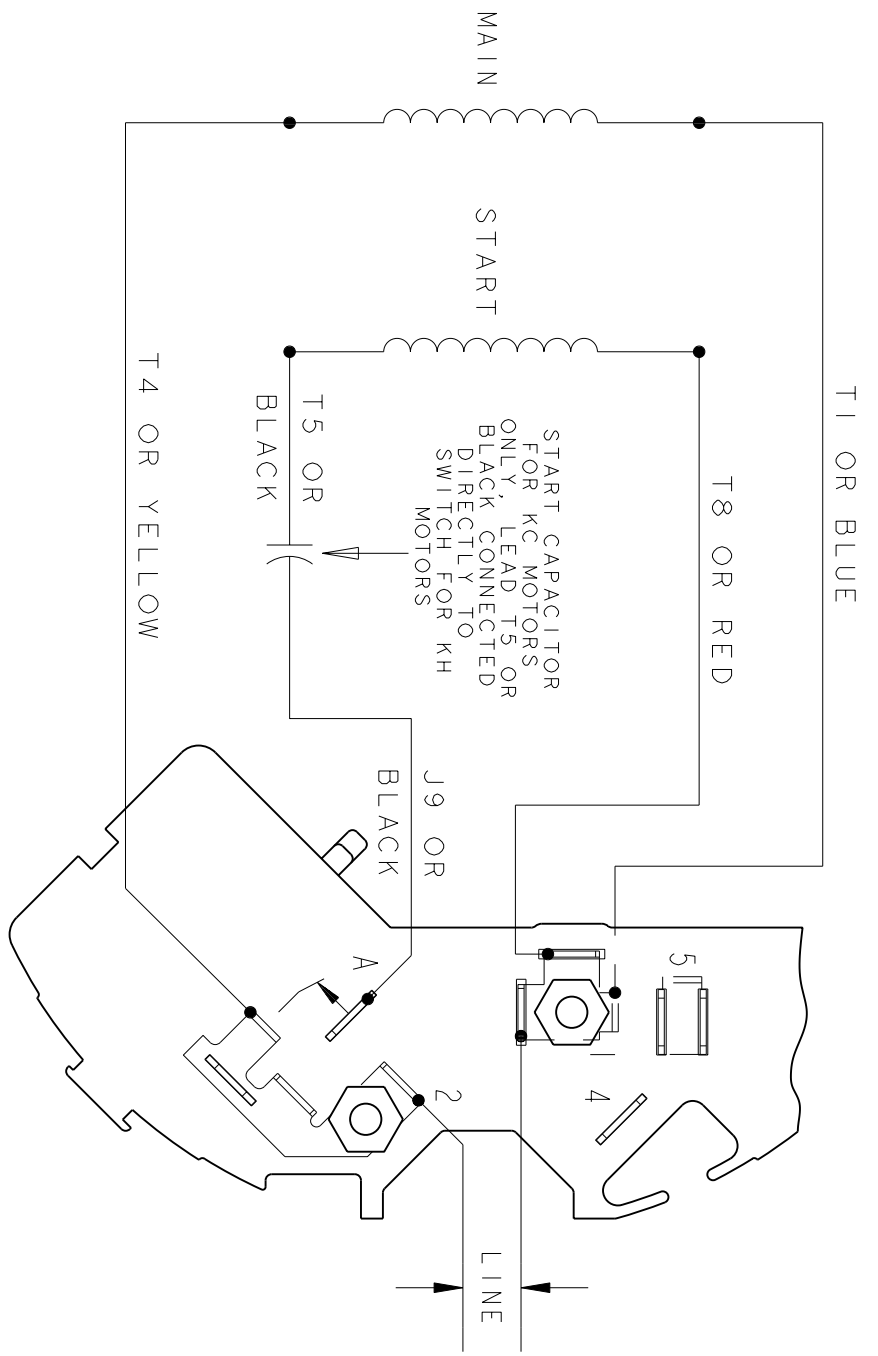


THIRD ANGLE PROJECTION

REVISIONS

REV.	DESCRIPTION	DATE	APPROVED
1	UPDATED FORMAT	11/10/05	MAM

EITHER ROTATION - SINGLE VOLTAGE
TYPE KC, OR KH



NOTE #1 - TO REVERSE ROTATION INTERCHANGE BLACK (T5-KH OR J9-KC) AND RED (T8) LEADS.

NOTE #2 - WHEN MORE THAN ONE CAPACITOR IS USED CONNECT IN PARALLEL.

REF. DIAG. - 121A850		SWITCH (C) - 115D958AB	
CONNECTION LABEL - 52X332047			
REGAL-BELOIT CORPORATION			
CONNECTION DIAGRAM			
FME: 30 FRAME SWITCH REDESIGN			
M.F.G.		M.D.P.	
ISSUED		M.D.P.	
CHECKED		M.D.P.	
DETAIL		M.D.P.	
MODEL		M.D.P.	
SIGNATURES		DATE	
MATERIAL		SOLID MODEL: 52A105377AA	

SCALE: 1.000 REF. No.:
 SIZE DRAWING A
 TITLE CONNECTION DIAGRAM
 52A105377AA REV 1