

PRODUCT INFORMATION PACKET

Modal No: 5KH39QN9405X
Catalog No: 4392
1/2,1725,DP,56,1/60/115
Fan and Blower



Regal and Marathon are trademarks of Regal Beloit Corporation or one of its affiliated companies.
©2017 Regal Beloit Corporation, All Rights Reserved. MC017097E



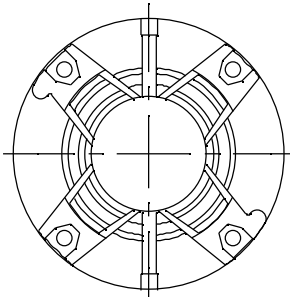
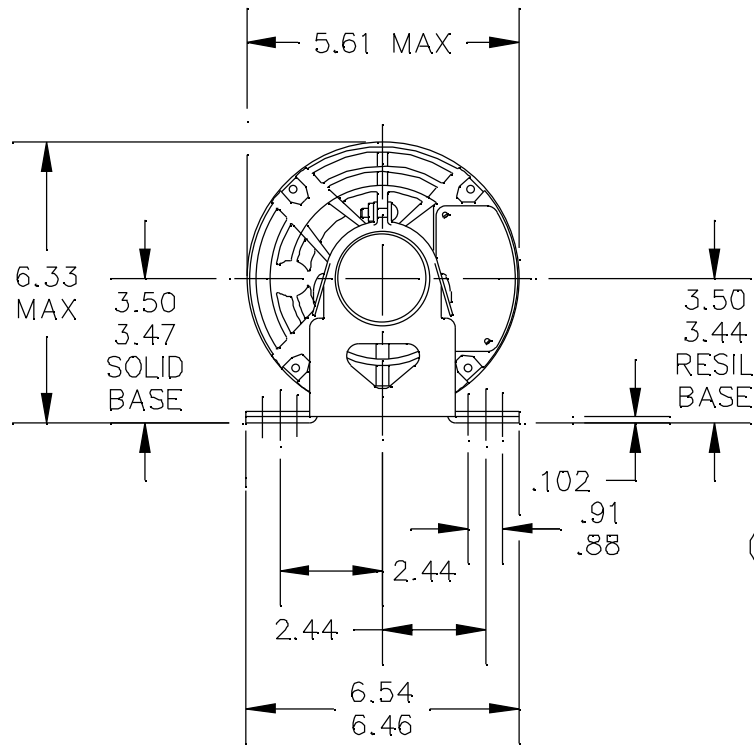
Nameplate Specifications

Output HP	0.5 Hp	Output KW	0.37 kW
Frequency	60 Hz	Voltage	115 V
Current	7.9 A	Speed	1725 rpm
Service Factor	1.25	Phases	1
Efficiency	59.5 %	Duty	CONT
Insulation Class	B	KVA Code	N
Frame	56	Enclosure	DP
Overload Protector	AUTO	Ambient Temperature	40 °C
Drive End Bearing Size	6203	Opp Drive End Bearing Size	6203
UL	Recognized	CSA	Yes
CE	N		

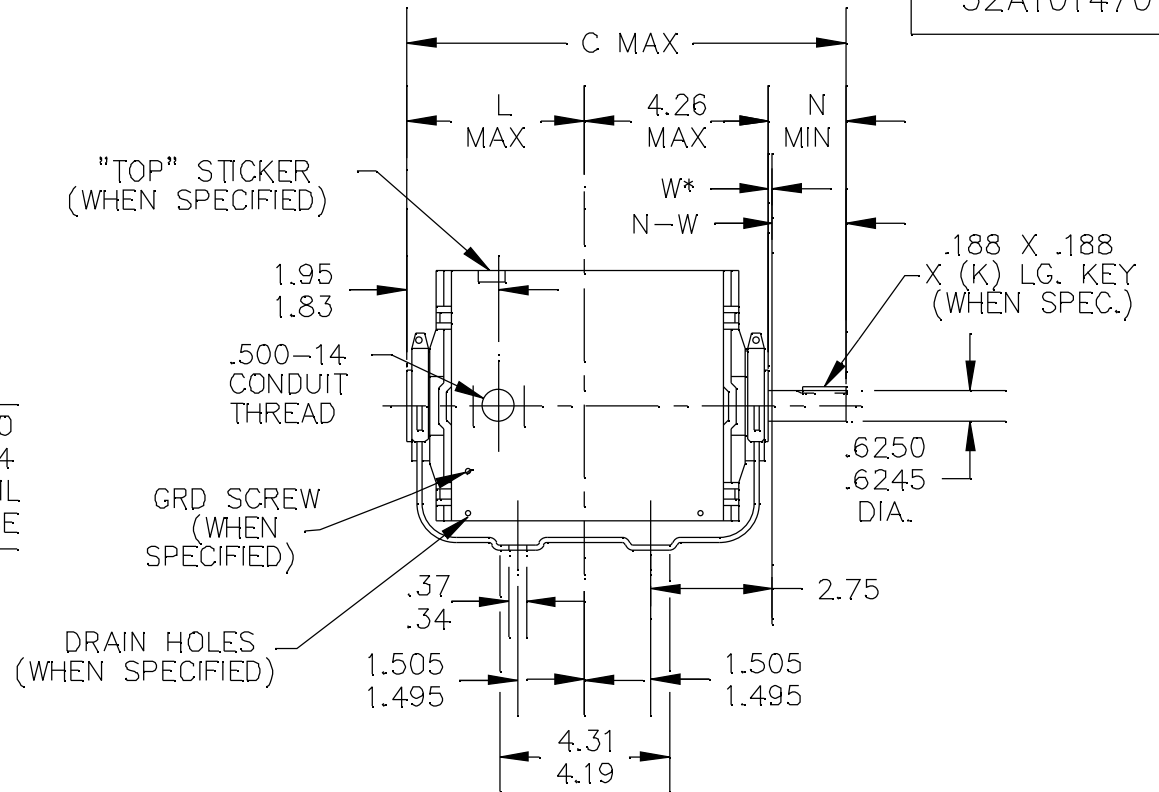
Technical Specifications

Electrical Type	Split Phase	Starting Method	SM
Poles	4	Rotation	CCW/CW
Mounting	RB	Motor Orientation	ANY
Drive End Bearing	BALL	Opp Drive End Bearing	BALL
Frame Material	Rolled Steel	Overall Length	10.32 in
Frame Length	6.22 in	Shaft Diameter	0.63 in
Shaft Extension	1.88 in	Thru-bolts Extension	0

52A101470



VIEW SHOWING PE VENTILATION OPENINGS



*W IS A CLEARANCE DUE TO VARIATION IN PARTS & ASSEMBLY.

6	KCP	38	56	9.51	3.42	1.88	2.01/1.79	1.38	
5	K-KH	39	56	11.85	5.76	1.88	2.01/1.79	1.38	7.75
4	K-KH	38	56	11.32	5.23	1.88	2.01/1.79	1.38	
3	K-KH	37	56	10.72	4.63	1.88	2.01/1.79	1.38	
2	K-KH	36	56	10.32	4.28	1.88	2.01/1.79	1.38	
1	K-KH	35	56	9.89	3.80	1.88	2.01/1.79	1.38	
PT	TYPE	RBC SIZE	NEMA FR	C	L	N	N-W	K	MIN. SHELL

TOLERANCES UNLESS SPECIFIED

DEC. INCHES

.X ±0.1

.XX ±0.02

.XXX ±0.005

.XXXX ±0.0005

ANG ±1.0



REGAL-BELOIT CORPORATION

TITLE

OUTLINE

DRIP PROOF- SOLID OR RESIL BASE

MAT'L.

FINISH

3 of 4

DRAWN GLB 02/05/75

CHK

APPD MDP 07/10/96

SCALE 1=1

REF

FMF

PREV

13 REDRAWN IN DRAFT SIGHT UD 10/17/12 PKG

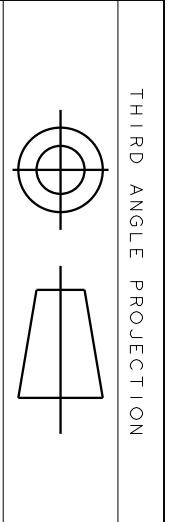
12 CHG TO RBC FORMAT PER IS 05-1777 RK 12/15/05

NO. REVISION BY & DATE

CHK ANG

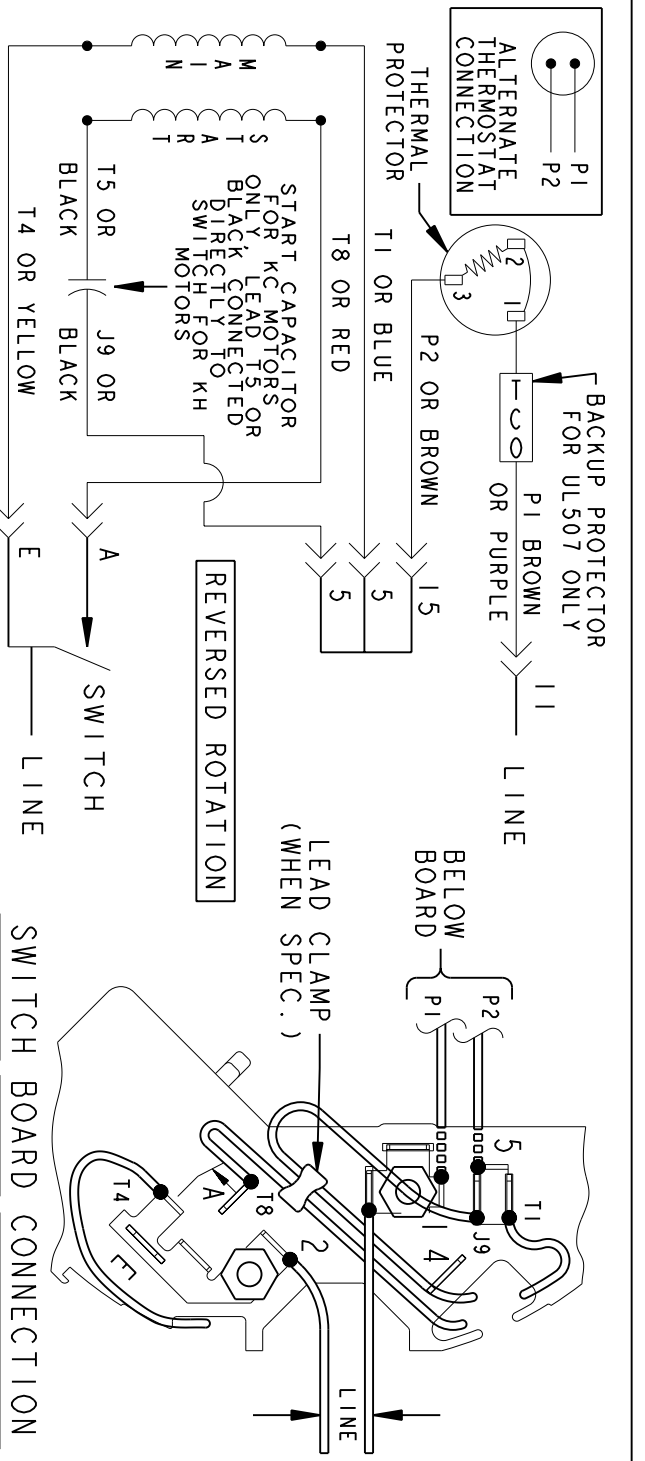
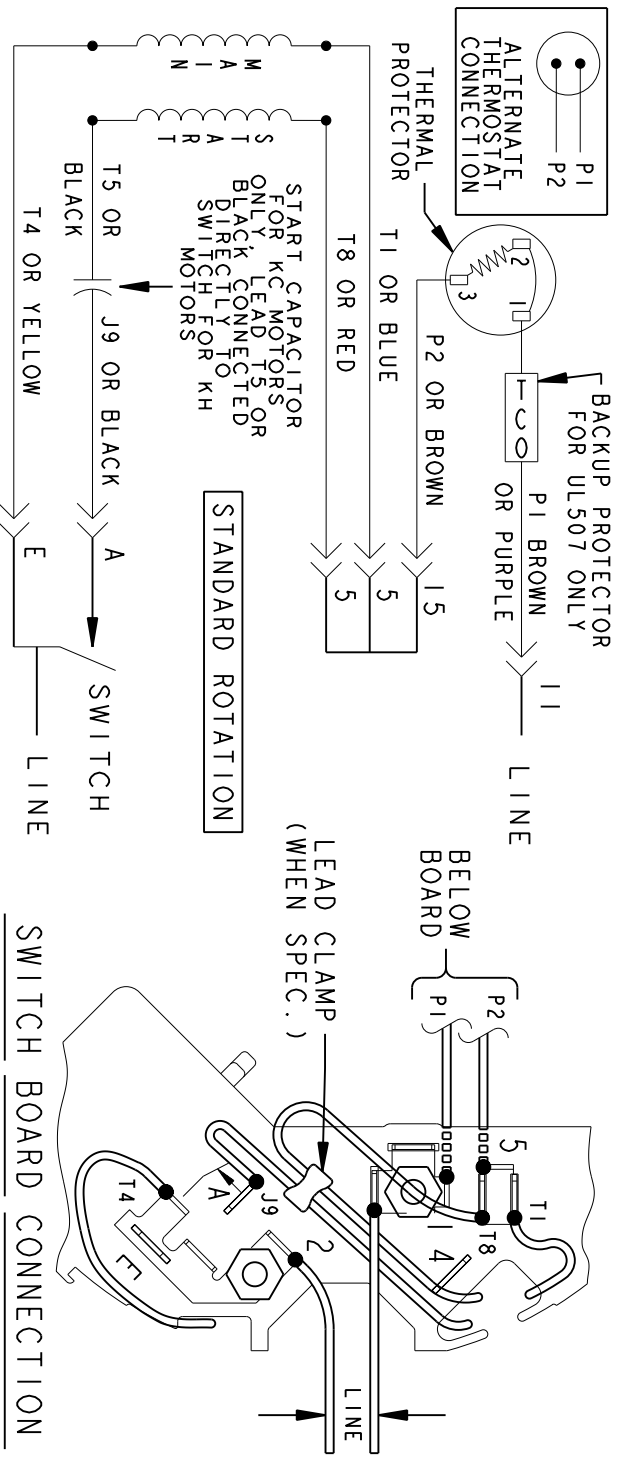
CHK ANG

CHK ANG



REV.	DESCRIPTION	DATE	APPROVED
6	UPDATED FORMAT	12/01/05	MAM

EITHER ROTATION-SINGLE VOLTAGE-TYPE KC OR KH-WITH THERMAL PROTECTOR



NOTE #1 - TO REVERSE ROTATION INTERCHANGE RED (T8) AND BLACK (J9-KC OR T5-KH) LEADS.
 NOTE #2 - WHEN MORE THAN ONE CAPACITOR IS USED CONNECT IN PARALLEL.
 SWITCH (C) - 115D958AB REF. DIAG. - 121A851 CONN. LABEL - 52X332048

SIGNATURES		DATE
MODEL	M.D. PAPE	06/29/87
DETAIL		
CHECKED		
ENGRG		
MFG		
QUALITY		
ISSUED	M.D.P.	03/08/00
SOLID MODEL: 52A105379AA		

REGAL-BELOIT CORPORATION

REGAL-BELOIT

CONNECTION DIAGRAM

FMF - 30 FR SWITCH REDESIGN

SCALE: 1.000 REF. No.:

52A105379AA

REV 6