

PRODUCT INFORMATION PACKET

Modal No: 5KH39QN9636T
Catalog No: 4757
1/3,1725,DP,56Z,1/60/230
Fan and Blower



Regal and Marathon are trademarks of Regal Beloit Corporation or one of its affiliated companies.
©2017 Regal Beloit Corporation, All Rights Reserved. MC017097E



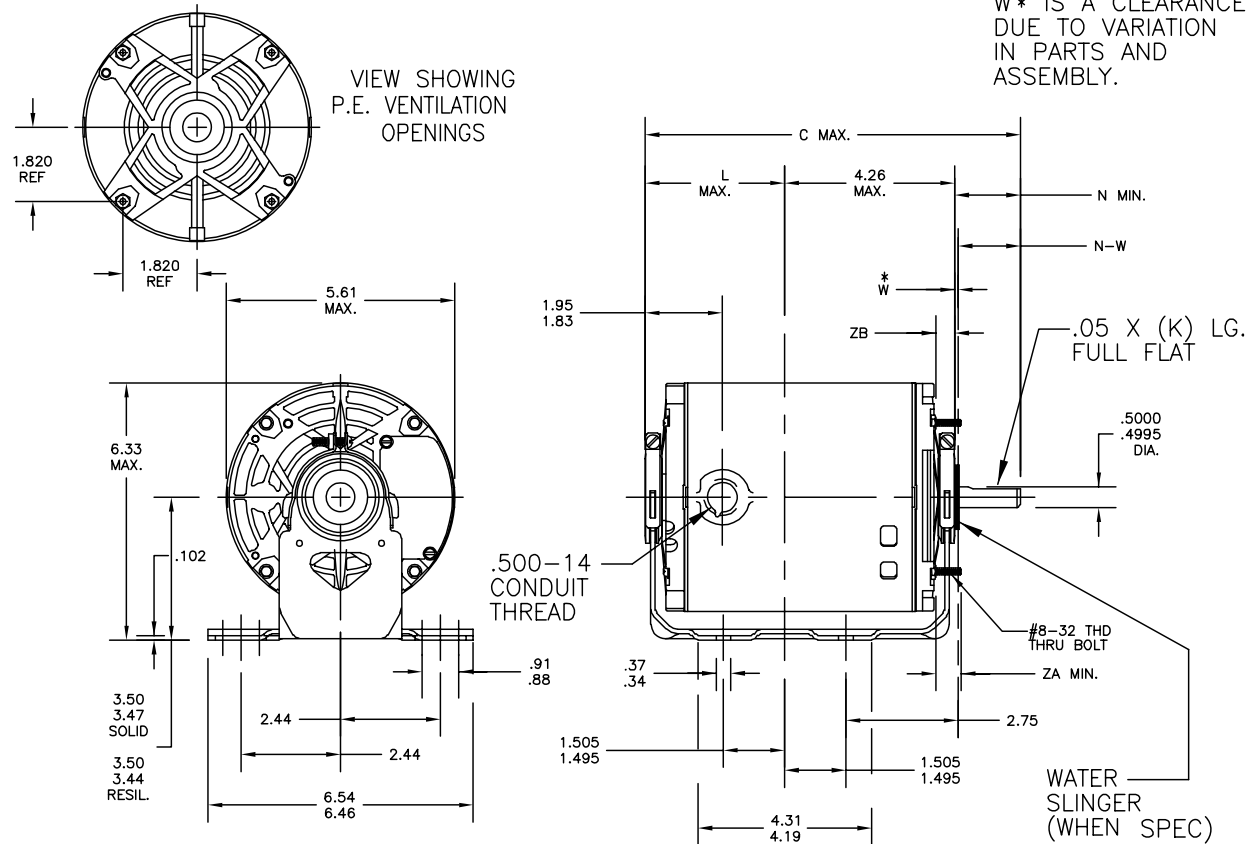
Nameplate Specifications

Output HP	0.33 Hp	Output KW	0.25 kW
Frequency	60 Hz	Voltage	230 V
Current	3.1 A	Speed	1725 rpm
Service Factor	1.35	Phases	1
Efficiency	55.9 %	Duty	CONT
Insulation Class	B	KVA Code	R
Frame	56Z	Enclosure	DP
Overload Protector	AUTO	Ambient Temperature	40 °C
Drive End Bearing Size	6203	Opp Drive End Bearing Size	6203
UL	Recognized	CSA	Yes
CE	N		

Technical Specifications

Electrical Type	Split Phase	Starting Method	SM
Poles	4	Rotation	CCW/CW
Mounting	RB	Motor Orientation	ANY
Drive End Bearing	BALL	Opp Drive End Bearing	BALL
Frame Material	Rolled Steel	Overall Length	9.19 in
Frame Length	5.41 in	Shaft Diameter	0.5 in
Shaft Extension	1.5 in	Thru-bolts Extension	0

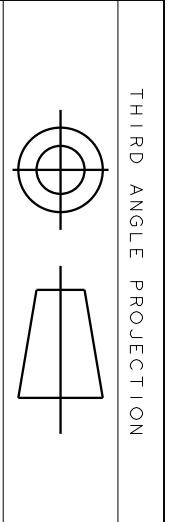
52A106985



W* IS A CLEARANCE DUE TO VARIATION IN PARTS AND ASSEMBLY.

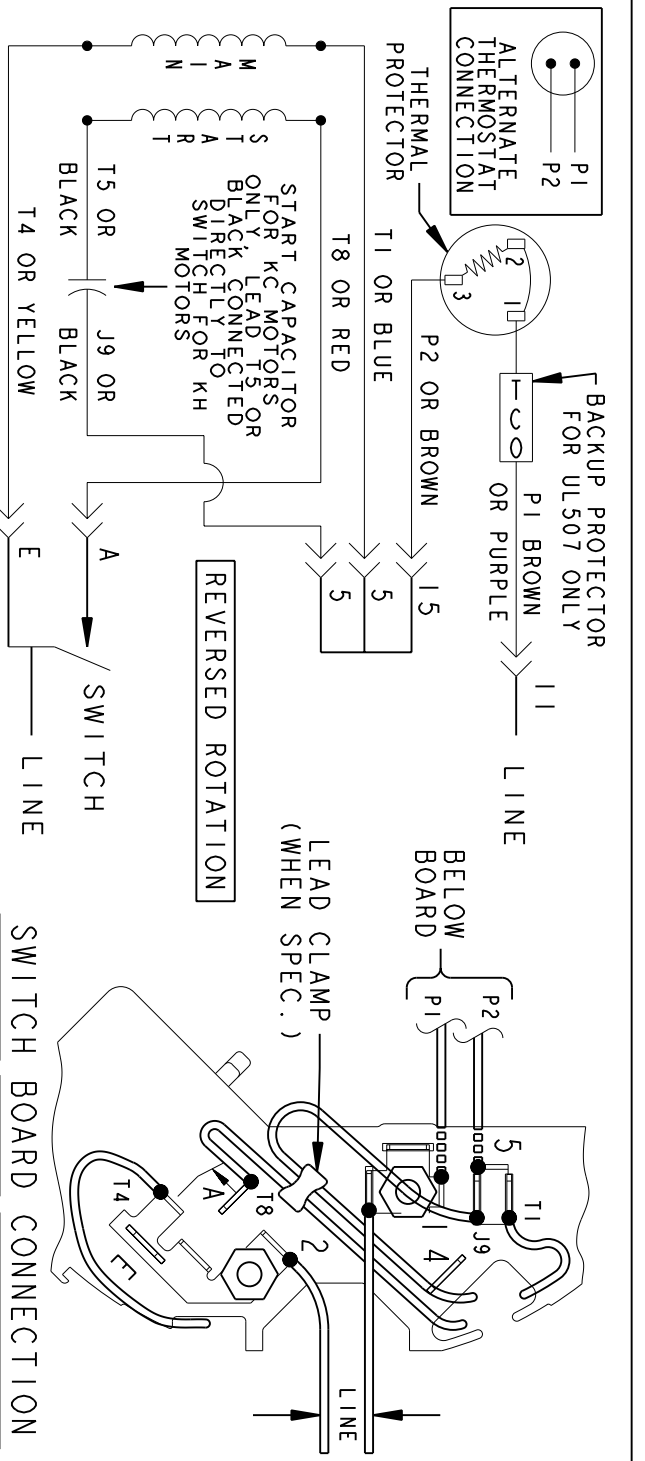
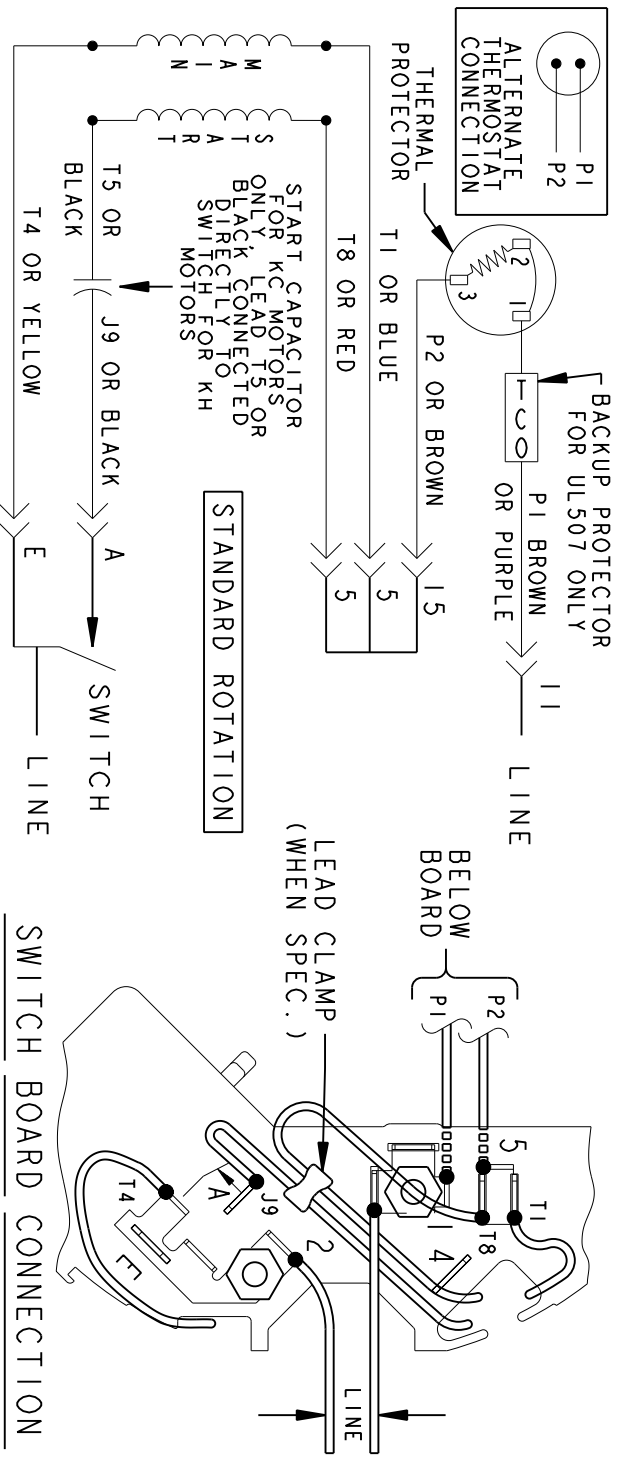
5	KH	38	56Z	11.61	1.50	5.23	2.00	2.13/1.91	.62	.55/.52
4	KH	33	56Z	9.19	1.16	3.48	1.50	1.63/1.41	.15	.55/.52
3	KH	35	56Z	10.18	1.50	3.80	2.00	2.13/1.91	.62	.55/.52
2	KH	37	56Z	11.01	1.50	4.63	2.00	2.13/1.91	.62	.55/.52
1	KH	33	56Z	9.19	1.16	3.48	1.50	1.63/1.41	.62	.55/.52
P	TYPE	RBC SIZE	NEMA FR	C	K	L	N	N-W	ZA	ZB

				TOLERANCES UNLESS SPECIFIED		REGAL-BELOIT CORPORATION				DRAWN MAM 10/14/89		
				DEC.	INCHES	REGAL-BELOIT CORPORATION				CHK		
				.X	±0.1	TITLE				APPD DS 09/03/2014		
				.XX	±0.02	OUTLINE				SCALE 1=1		
J	ECS DIMENSIONS ADDED PER ECO-0059212	JAH 09/3/2014	DS	.XXX	±0.005	FORM N - GENERAL PURPOSE MOTOR -DRIP				REF		
8	CHG. TO RBC FORMAT PER ISO5-1777	ARC 02/15/06	ARC	.XXXX	±0.0005	MAT'L.				FMF		
NO.	REVISION	BY & DATE	CHK	ANG	±1.0	FINISH				PREV		
THIS DRAWING IN DESIGN AND DETAIL IS OUR PROPERTY AND MUST NOT BE USED EXCEPT IN CONNECTION WITH OUR WORK ALL RIGHTS OF DESIGN AND INVENTION ARE RESERVED THIS IS AN ELECTRONICALLY GENERATED DOCUMENT - DO NOT SCALE THIS PRINT				RFP		CAD FILE 52A106985				SIZE	DRAWING NO.	REV.
				DIST						A	52A106985	J



REV.	DESCRIPTION	DATE	APPROVED
6	UPDATED FORMAT	12/01/05	MAM

EITHER ROTATION-SINGLE VOLTAGE-TYPE KC OR KH-WITH THERMAL PROTECTOR



NOTE #1 - TO REVERSE ROTATION INTERCHANGE RED (T8) AND BLACK (J9-KC OR T5-KH) LEADS.
 NOTE #2 - WHEN MORE THAN ONE CAPACITOR IS USED CONNECT IN PARALLEL.
 SWITCH (C) - 115D958AB REF. DIAG. - 121A851 CONN. LABEL - 52X332048

SIGNATURES		DATE
MODEL	M.D. PAPE	06/29/87
DETAIL		
CHECKED		
ENGRG		
MFG		
QUALITY		
ISSUED	M.D.P.	03/08/00
SOLID MODEL: 52A105379AA		

REGAL-BELOIT CORPORATION

REGAL-BELOIT

CONNECTION DIAGRAM

FMF - 30 FR SWITCH REDESIGN

SCALE: 1.000 REF. No.:

52A105379AA

REV 6