

PRODUCT INFORMATION PACKET

Modal No: 5KH39QN9684
Catalog No: 4387
1/2, 1725, DP, 56, 1/60/230
Open Drip Proof (ODP)



Regal and Marathon are trademarks of Regal Beloit Corporation or one of its affiliated companies.
©2017 Regal Beloit Corporation, All Rights Reserved. MC017097E



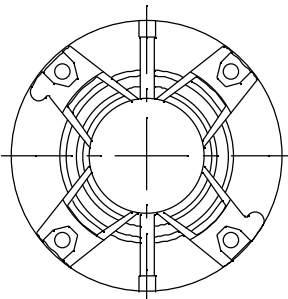
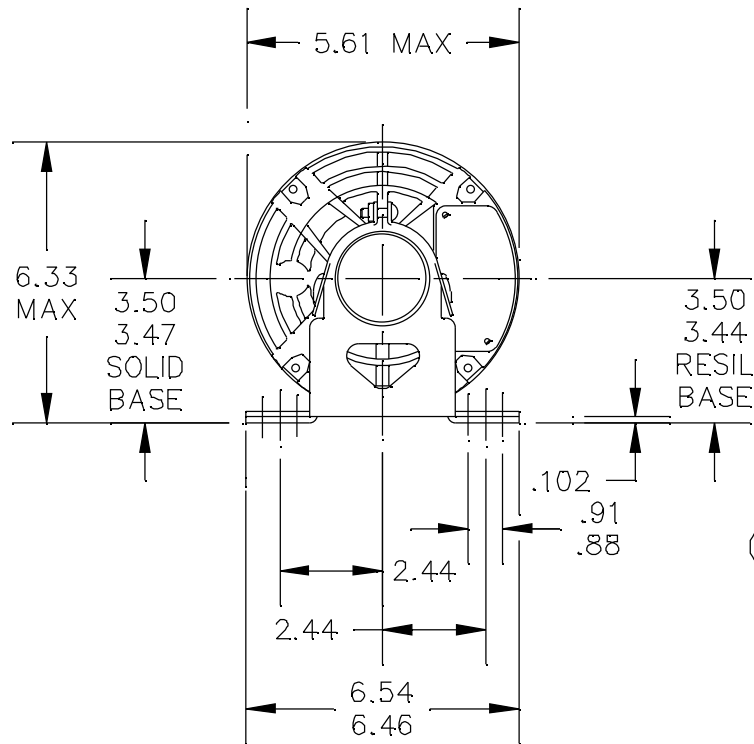
Nameplate Specifications

Output HP	0.5 Hp	Output KW	0.37 kW
Frequency	60 Hz	Voltage	230 V
Current	4.2 A	Speed	1725 rpm
Service Factor	1	Phases	1
Efficiency	62 %	Duty	CONT
Insulation Class	B	KVA Code	P
Frame	56	Enclosure	DP
Overload Protector	N/R	Ambient Temperature	40 °C
Drive End Bearing Size	6203	Opp Drive End Bearing Size	6203
UL	Recognized	CSA	Yes
CE	N		

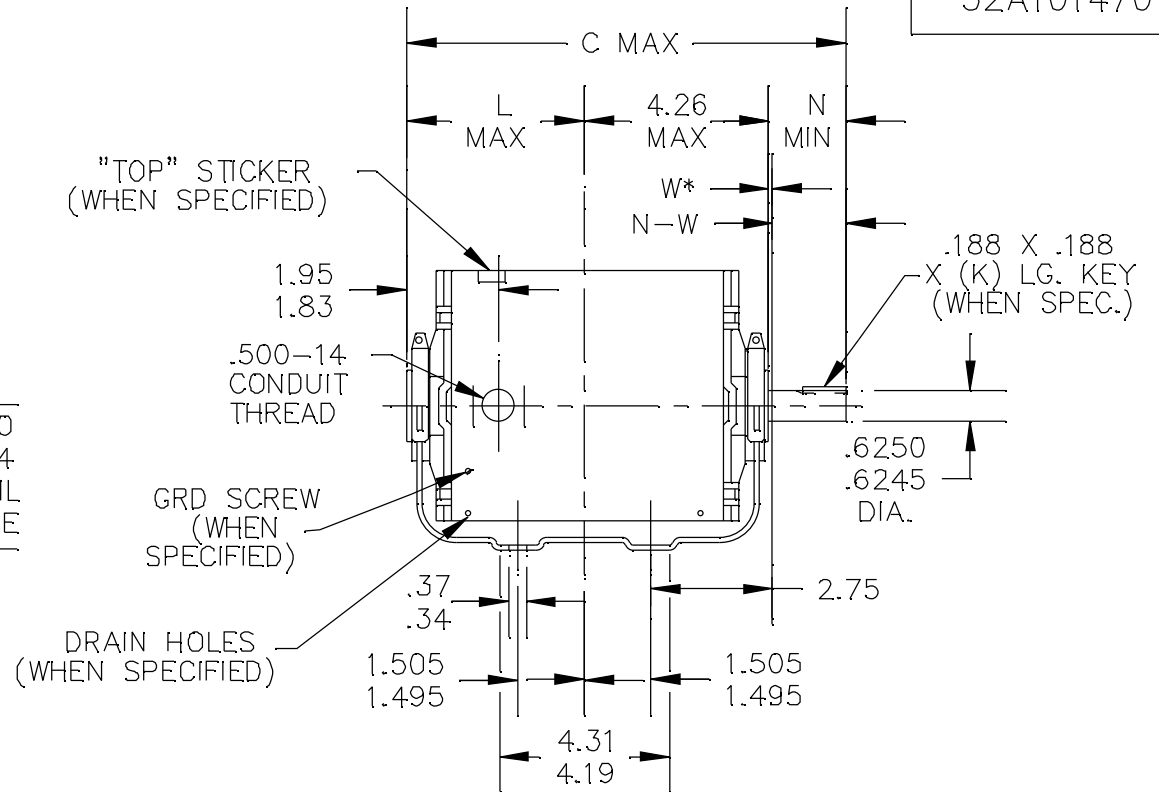
Technical Specifications

Electrical Type	Split Phase	Starting Method	SM
Poles	4	Rotation	CCW/CW
Mounting	RB	Motor Orientation	ANY
Drive End Bearing	BALL	Opp Drive End Bearing	BALL
Frame Material	Rolled Steel	Overall Length	10.32 in
Frame Length	6.22 in	Shaft Diameter	0.63 in
Shaft Extension	1.88 in		

52A101470



VIEW SHOWING PE VENTILATION OPENINGS



*W IS A CLEARANCE DUE TO VARIATION IN PARTS & ASSEMBLY.

6	KCP	38	56	9.51	3.42	1.88	2.01/1.79	1.38	
5	K-KH	39	56	11.85	5.76	1.88	2.01/1.79	1.38	7.75
4	K-KH	38	56	11.32	5.23	1.88	2.01/1.79	1.38	
3	K-KH	37	56	10.72	4.63	1.88	2.01/1.79	1.38	
2	K-KH	36	56	10.32	4.28	1.88	2.01/1.79	1.38	
1	K-KH	35	56	9.89	3.80	1.88	2.01/1.79	1.38	
PT	TYPE	RBC SIZE	NEMA FR	C	L	N	N-W	K	MIN. SHELL

TOLERANCES UNLESS SPECIFIED

DEC. INCHES

.X ±0.1

.XX ±0.02

.XXX ±0.005

.XXXX ±0.0005

ANG ±1.0



REGAL-BELOIT CORPORATION

TITLE

OUTLINE

DRIP PROOF- SOLID OR RESIL BASE

MAT'L.

FINISH

3 of 4

DRAWN GLB 02/05/75

CHK

APPD MDP 07/10/96

SCALE 1=1

REF

FMF

PREV

13 REDRAWN IN DRAFT SIGHT UD 10/17/12 PKG

12 CHG TO RBC FORMAT PER IS 05-1777 RK 12/15/05

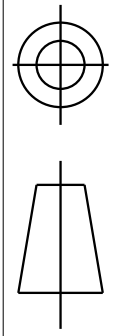
NO. REVISION BY & DATE

CHK ANG

CHK ANG

CHK ANG

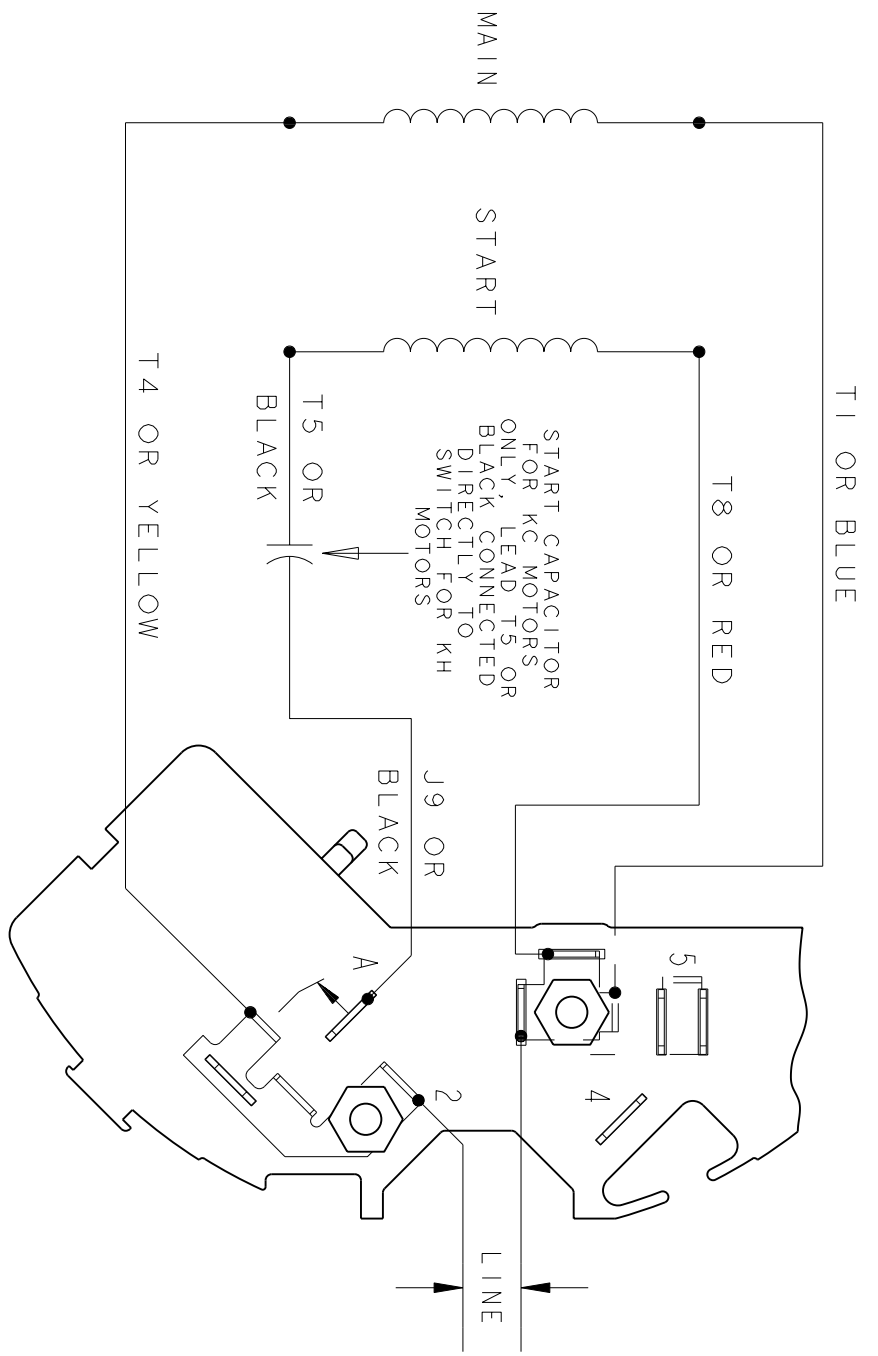
THIRD ANGLE PROJECTION



REVISIONS

REV.	DESCRIPTION	DATE	APPROVED
1	UPDATED FORMAT	11/10/05	MAM

EITHER ROTATION - SINGLE VOLTAGE
TYPE KC, OR KH



NOTE #1 - TO REVERSE ROTATION INTERCHANGE BLACK (T5-KH OR J9-KC) AND RED (T8) LEADS.

NOTE #2 - WHEN MORE THAN ONE CAPACITOR IS USED CONNECT IN PARALLEL.

REF. DIAG. - 121A850		SWITCH (C) - 115D958AB	
SIGNATURES		CONNECTION LABEL - 52X332047	
MODEL	M.D. PAPER	REGAL-BELOIT CORPORATION	
DETAIL	DATE	REGAL-BELOIT CORPORATION	
CHECKED		CONNECTION DIAGRAM	
ENGRG		FME: 30 FRAME SWITCH REDESIGN	
MFG		52A105377AA	
QUALITY		REV 1	
ISSUED	M.D.P.	SCALE: 1.000 REF. No: .	
MATERIAL	SOLID MODEL: 52A105377AA	SHEET 1 of 1	