

# PRODUCT INFORMATION PACKET

Modal No: 5KH39QN9687  
Catalog No: 4422  
3/4, 1725, DP, 56, 1/60/115  
Open Drip Proof (ODP)



Regal and Marathon are trademarks of Regal Beloit Corporation or one of its affiliated companies.  
©2017 Regal Beloit Corporation, All Rights Reserved. MC017097E



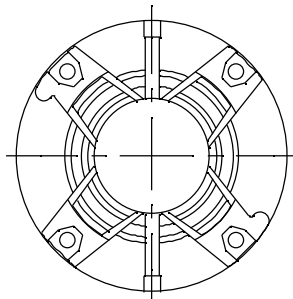
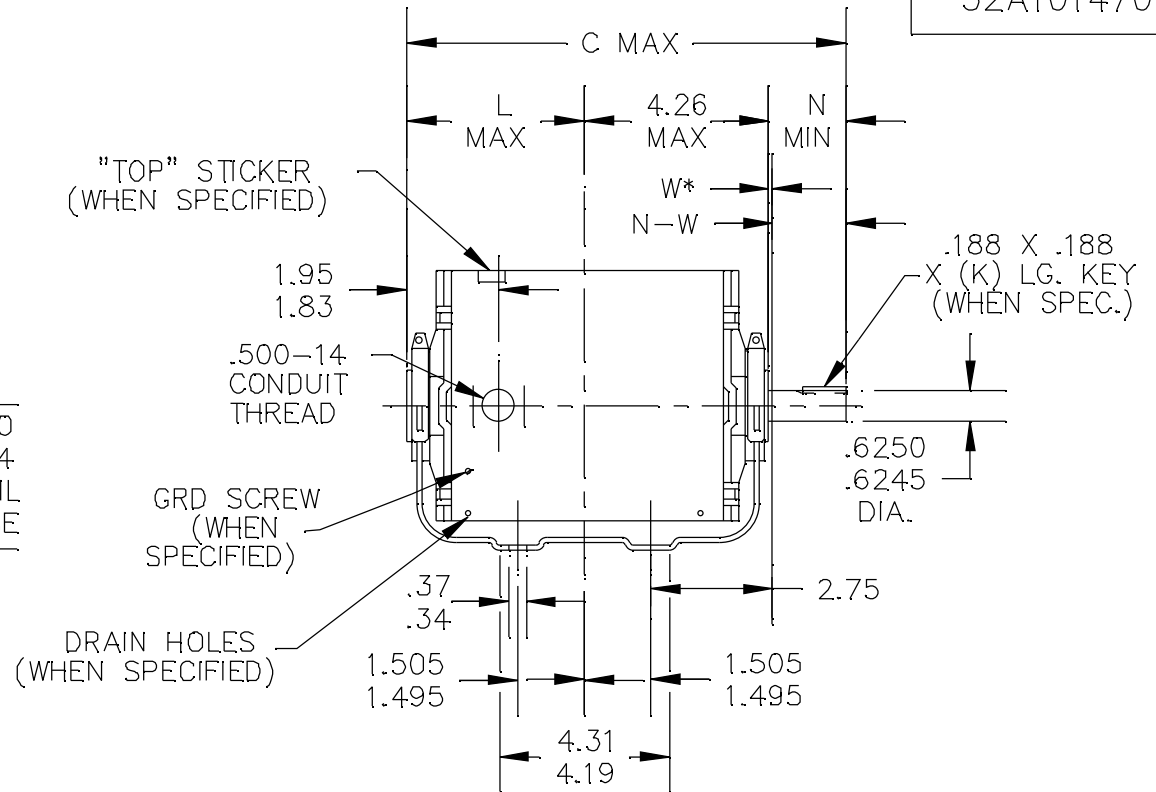
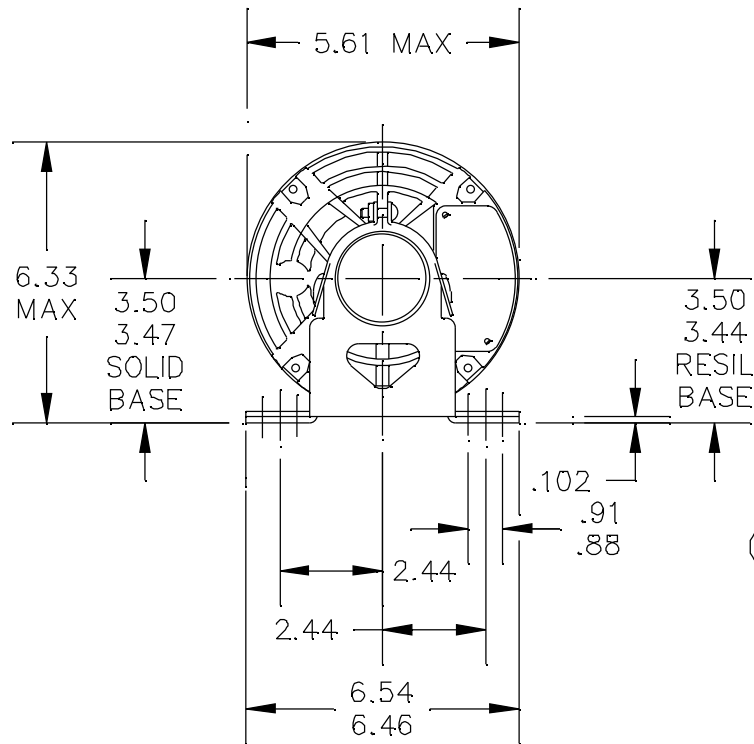
## Nameplate Specifications

|                        |                   |                            |                 |
|------------------------|-------------------|----------------------------|-----------------|
| Output HP              | <b>0.75 Hp</b>    | Output KW                  | <b>0.56 kW</b>  |
| Frequency              | <b>60 Hz</b>      | Voltage                    | <b>115 V</b>    |
| Current                | <b>11.2 A</b>     | Speed                      | <b>1725 rpm</b> |
| Service Factor         | <b>1</b>          | Phases                     | <b>1</b>        |
| Efficiency             | <b>66 %</b>       | Duty                       | <b>CONT</b>     |
| Insulation Class       | <b>B</b>          | KVA Code                   | <b>L</b>        |
| Frame                  | <b>56</b>         | Enclosure                  | <b>DP</b>       |
| Overload Protector     | <b>N/R</b>        | Ambient Temperature        | <b>40 °C</b>    |
| Drive End Bearing Size | <b>6203</b>       | Opp Drive End Bearing Size | <b>6203</b>     |
| UL                     | <b>Recognized</b> | CSA                        | <b>Yes</b>      |
| CE                     | <b>N</b>          |                            |                 |

## Technical Specifications

|                   |                     |                       |                 |
|-------------------|---------------------|-----------------------|-----------------|
| Electrical Type   | <b>Split Phase</b>  | Starting Method       | <b>SM</b>       |
| Poles             | <b>4</b>            | Rotation              | <b>CCW/CW</b>   |
| Mounting          | <b>RB</b>           | Motor Orientation     | <b>ANY</b>      |
| Drive End Bearing | <b>BALL</b>         | Opp Drive End Bearing | <b>BALL</b>     |
| Frame Material    | <b>Rolled Steel</b> | Overall Length        | <b>10.72 in</b> |
| Frame Length      | <b>6.62 in</b>      | Shaft Diameter        | <b>0.63 in</b>  |
| Shaft Extension   | <b>1.88 in</b>      |                       |                 |

52A101470



VIEW SHOWING PE VENTILATION OPENINGS

\*W IS A CLEARANCE DUE TO VARIATION IN PARTS & ASSEMBLY.

| 6  | KCP  | 38       | 56      | 9.51  | 3.42 | 1.88 | 2.01/1.79 | 1.38 |            |
|----|------|----------|---------|-------|------|------|-----------|------|------------|
| 5  | K-KH | 39       | 56      | 11.85 | 5.76 | 1.88 | 2.01/1.79 | 1.38 | 7.75       |
| 4  | K-KH | 38       | 56      | 11.32 | 5.23 | 1.88 | 2.01/1.79 | 1.38 |            |
| 3  | K-KH | 37       | 56      | 10.72 | 4.63 | 1.88 | 2.01/1.79 | 1.38 |            |
| 2  | K-KH | 36       | 56      | 10.32 | 4.28 | 1.88 | 2.01/1.79 | 1.38 |            |
| 1  | K-KH | 35       | 56      | 9.89  | 3.80 | 1.88 | 2.01/1.79 | 1.38 |            |
| PT | TYPE | RBC SIZE | NEMA FR | C     | L    | N    | N-W       | K    | MIN. SHELL |

TOLERANCES UNLESS SPECIFIED

DEC. INCHES

.X ±0.1

.XX ±0.02

.XXX ±0.005

.XXXX ±0.0005

ANG ±1.0



REGAL-BELOIT CORPORATION

TITLE

OUTLINE

DRIP PROOF- SOLID OR RESIL BASE

MAT'L.

3 of 4

FINISH

DRAWN GLB 02/05/75

CHK

APPD MDP 07/10/96

SCALE 1=1

REF

FMF

PREV

13 REDRAWN IN DRAFT SIGHT UD 10/17/12 PKG

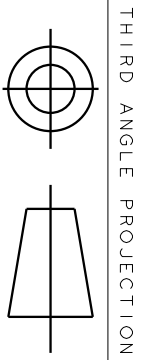
12 CHG TO RBC FORMAT PER IS 05-1777 RK 12/15/05

NO. REVISION

BY & DATE

CHK

ANG

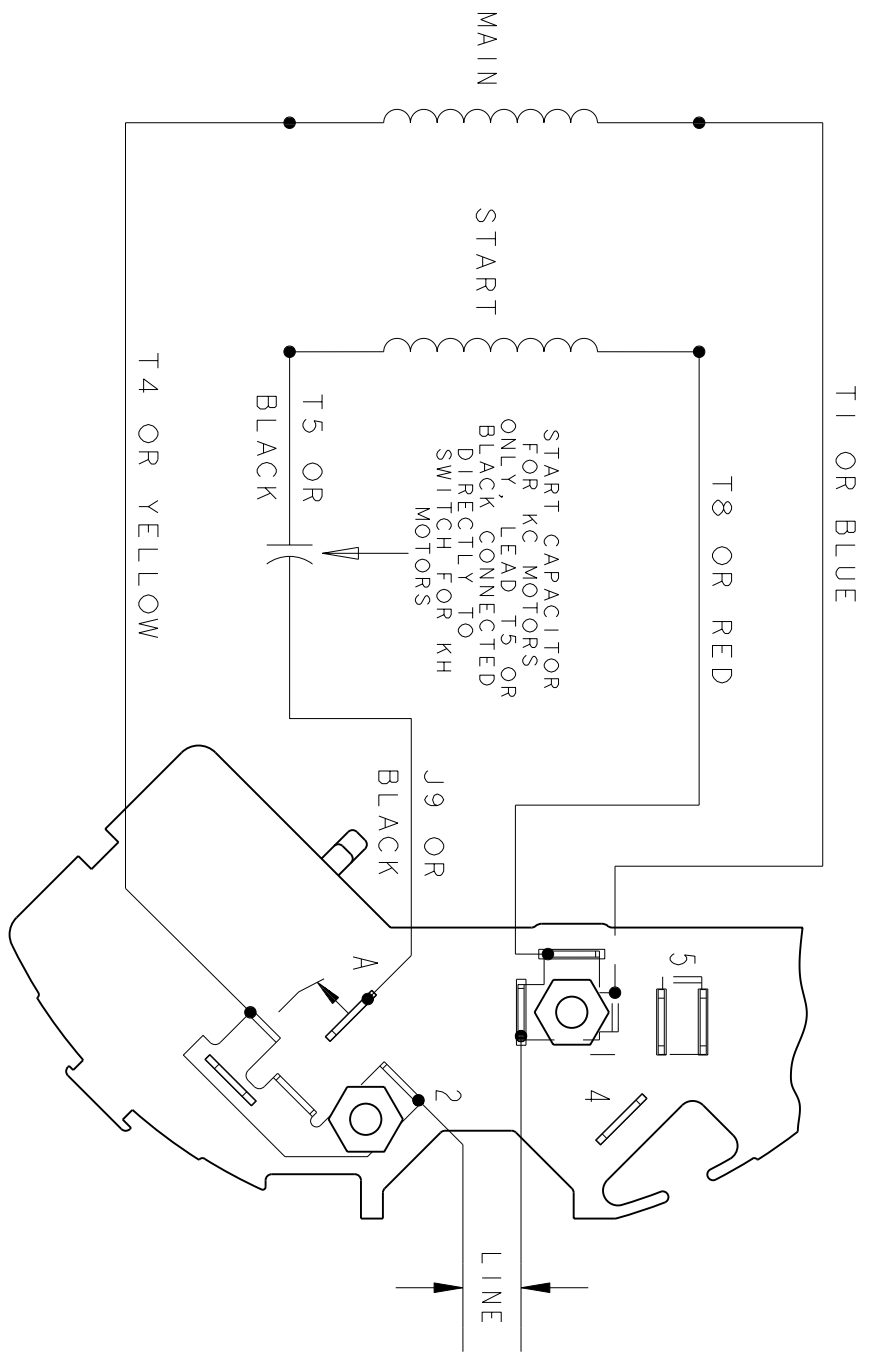


THIRD ANGLE PROJECTION

REVISIONS

| REV. | DESCRIPTION    | DATE     | APPROVED |
|------|----------------|----------|----------|
| 1    | UPDATED FORMAT | 11/10/05 | MAM      |

EITHER ROTATION - SINGLE VOLTAGE  
TYPE KC, OR KH



NOTE #1 - TO REVERSE ROTATION INTERCHANGE BLACK (T5-KH OR J9-KC) AND RED (T8) LEADS.

NOTE #2 - WHEN MORE THAN ONE CAPACITOR IS USED CONNECT IN PARALLEL.

|                                      |  |                          |  |
|--------------------------------------|--|--------------------------|--|
| REF. DIAG. - 121A850                 |  | SWITCH (C) - 115D958AB   |  |
| CONNECTION LABEL - 52X332047         |  |                          |  |
|                                      |  |                          |  |
| <b>REGAL-BEVOLT CORPORATION</b>      |  |                          |  |
| <b>CONNECTION DIAGRAM</b>            |  |                          |  |
| <b>FME: 30 FRAME SWITCH REDESIGN</b> |  |                          |  |
| M.F.G                                |  | M.D.P.                   |  |
| CHECKED                              |  | ISSUED                   |  |
| ENGRG                                |  | M.D.P.                   |  |
| M.F.G                                |  | 06/29/87                 |  |
| QUALITY                              |  | M.D.P.                   |  |
| ISSUED                               |  | 06/29/87                 |  |
| MATERIAL                             |  | SOLID MODEL: 52A105377AA |  |

TITLE: **FME: 30 FRAME SWITCH REDESIGN**

SCALE: 1.000 REF. No: .

SIZE: DRAWING A

52A105377AA REV 1

SHEET 1 of 1