

# PRODUCT INFORMATION PACKET

Modal No: 5KH39QN9698T  
Catalog No: 4758  
1/2,1725,DP,56Z,1/60/115  
Fan and Blower



Regal and Marathon are trademarks of Regal Beloit Corporation or one of its affiliated companies.  
©2017 Regal Beloit Corporation, All Rights Reserved. MC017097E

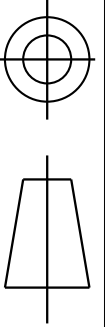


## Nameplate Specifications

Output HP	<b>0.5 Hp</b>	Output KW	<b>0.37 kW</b>
Frequency	<b>60 Hz</b>	Voltage	<b>115 V</b>
Current	<b>7.9 A</b>	Speed	<b>1725 rpm</b>
Service Factor	<b>1.25</b>	Phases	<b>1</b>
Efficiency	<b>65.2 %</b>	Duty	<b>CONT</b>
Insulation Class	<b>B</b>	KVA Code	<b>N</b>
Frame	<b>56Z</b>	Enclosure	<b>DP</b>
Overload Protector	<b>AUTO</b>	Ambient Temperature	<b>40 °C</b>
Drive End Bearing Size	<b>6203</b>	Opp Drive End Bearing Size	<b>6203</b>
UL	<b>Recognized</b>	CSA	<b>Yes</b>
CE	<b>N</b>		

## Technical Specifications

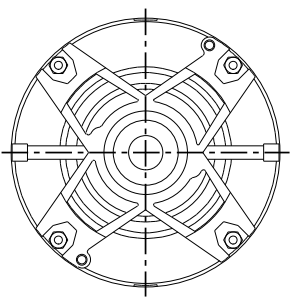
Electrical Type	<b>Split Phase</b>	Starting Method	<b>SM</b>
Poles	<b>4</b>	Rotation	<b>CCW/CW</b>
Mounting	<b>RB</b>	Motor Orientation	<b>ANY</b>
Drive End Bearing	<b>BALL</b>	Opp Drive End Bearing	<b>BALL</b>
Frame Material	<b>Rolled Steel</b>	Overall Length	<b>9.99 in</b>
Frame Length	<b>6.22 in</b>	Shaft Diameter	<b>0.5 in</b>
Shaft Extension	<b>1.5 in</b>	Thru-bolts Extension	<b>0</b>



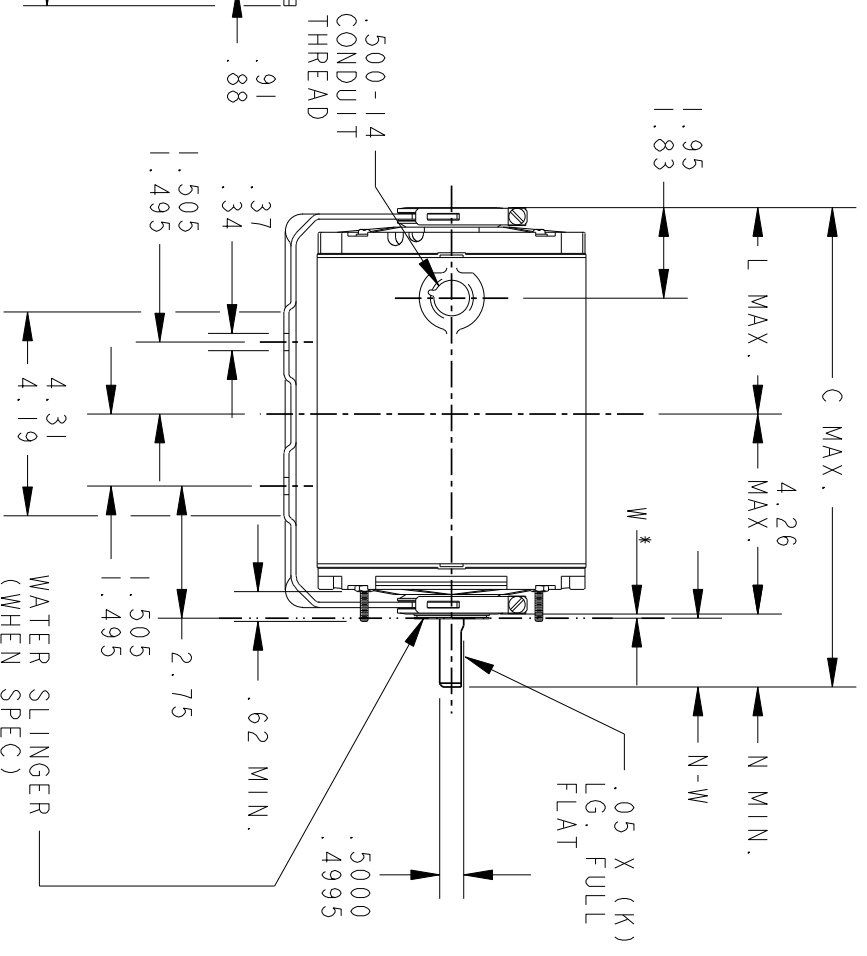
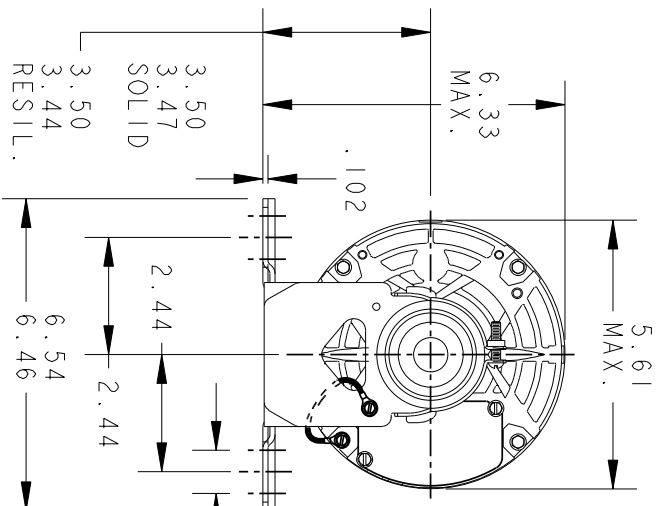
THIRD ANGLE PROJECTION

REVISIONS

REV.	DESCRIPTION	DATE	APPROVED
2	REDRAWN WITHOUT CHANGE	04/27/92	BLJ
3	REDRAWN BY 2M SOFTWARE CO.	03/05/95	CCP
4	CHG TO RBC FORMAT PER IS05-1777	02/15/06	ARCHANA



VIEW SHOWING  
P. E. VENTILATION  
OPENINGS



P	TYPE	GE SIZE	NEMA FR	C	K	L	N	N-W	ZB
1	KH	36	56Z	9.99	1.16	4.23	1.50	1.63/1.41	.55/.52

SIGNATURES		DATE
MODEL	M.A.M.	01/20/90
DETAIL	.	.
CHECKED	.	.
ENGRG	.	.
MFG	.	.

W \* IS A CLEARANCE DUE TO VARIATION IN PARTS AND ASSEMBLY.



REGAL-BELOIT CORPORATION

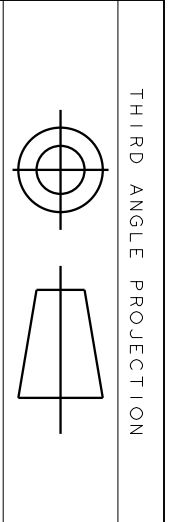
TITLE  
OUTLINE

FORM N - GENERAL PURPOSE MOTOR - DRIP  
PROOF - RESIL. BASE - SLEEVE BEARING FWF 5KH390N9697AT

FOR ADDITIONAL INFO REFER TO:	
APPLIED PRACTICES	QUALITY
DIMENSIONS ARE IN INCHES	ISSUED
MATERIAL	SOLID MODEL: 52A106994

SIZE	DRAWING	REV
A		4

SCALE: 1.000 REF. No: SHEET 1 OF 1



REV.	DESCRIPTION	DATE	APPROVED
6	UPDATED FORMAT	12/01/05	MAM

EITHER ROTATION-SINGLE VOLTAGE-TYPE KC OR KH-WITH THERMAL PROTECTOR



NOTE #1 - TO REVERSE ROTATION INTERCHANGE RED (T8) AND BLACK (J9-KC OR T5-KH) LEADS.  
 NOTE #2 - WHEN MORE THAN ONE CAPACITOR IS USED CONNECT IN PARALLEL.

SWITCH (C) - 115D958AB REF. DIAG. - 121A851 CONN. LABEL - 52X332048

SIGNATURES	DATE
MODEL M.D.PAPE	06/29/87
DETAIL	
CHECKED	
ENGRG	
MFG	
QUALITY	
ISSUED	M.D.P. 03/08/00
SOLID MODEL: 52A105379AA	

**REGAL-BELOIT CORPORATION**

**REGAL-BELOIT**

**CONNECTION DIAGRAM**

**FMF - 30 FR SWITCH REDESIGN**

SCALE: 1.000 REF. No.:

SIZE DRAWING A

52A105379AA

REV 6

SHEET 1 of 1