

# PRODUCT INFORMATION PACKET

Modal No: 5KH42GN0336  
Catalog No: B1507  
1/2, 1725, TEFC, 56, 1/60/115  
Fan and Blower



Regal and Marathon are trademarks of Regal Beloit Corporation or one of its affiliated companies.  
©2017 Regal Beloit Corporation, All Rights Reserved. MC017097E

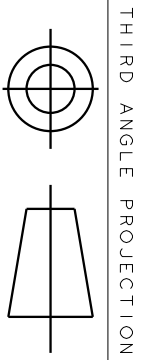


## Nameplate Specifications

Output HP	<b>0.5 Hp</b>	Output KW	<b>0.37 kW</b>
Frequency	<b>60 Hz</b>	Voltage	<b>115 V</b>
Current	<b>8 A</b>	Speed	<b>1725 rpm</b>
Service Factor	<b>1.25</b>	Phases	<b>1</b>
Efficiency	<b>63.6 %</b>	Duty	<b>CONT</b>
Insulation Class	<b>B</b>	KVA Code	<b>S</b>
Frame	<b>56</b>	Enclosure	<b>TEFC</b>
Overload Protector	<b>N/R</b>	Ambient Temperature	<b>40 °C</b>
Drive End Bearing Size	<b>6203</b>	Opp Drive End Bearing Size	<b>6203</b>
UL	<b>Recognized</b>	CSA	<b>Yes</b>
CE	<b>N</b>		

## Technical Specifications

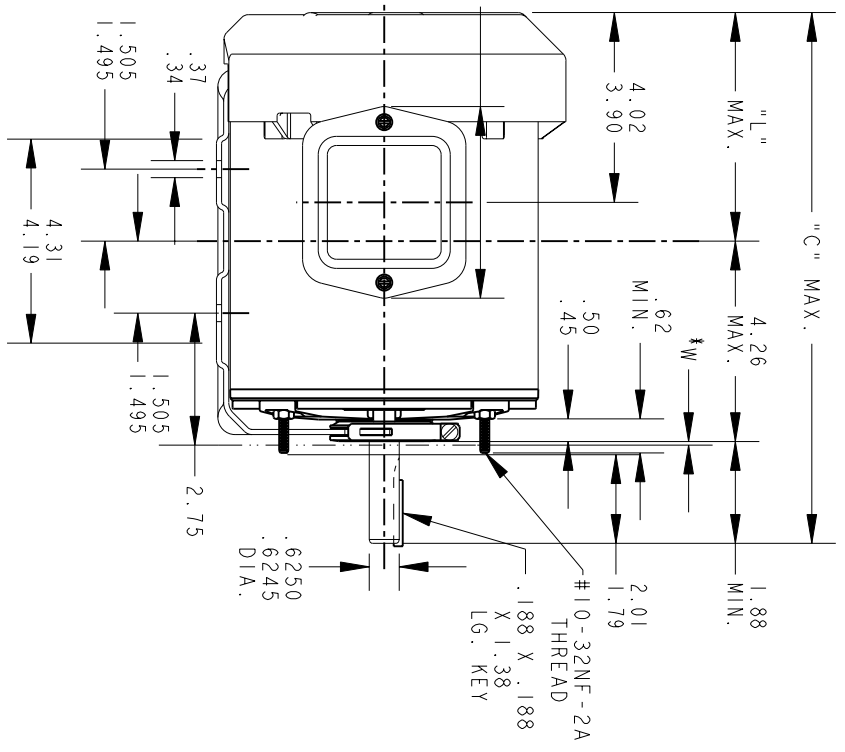
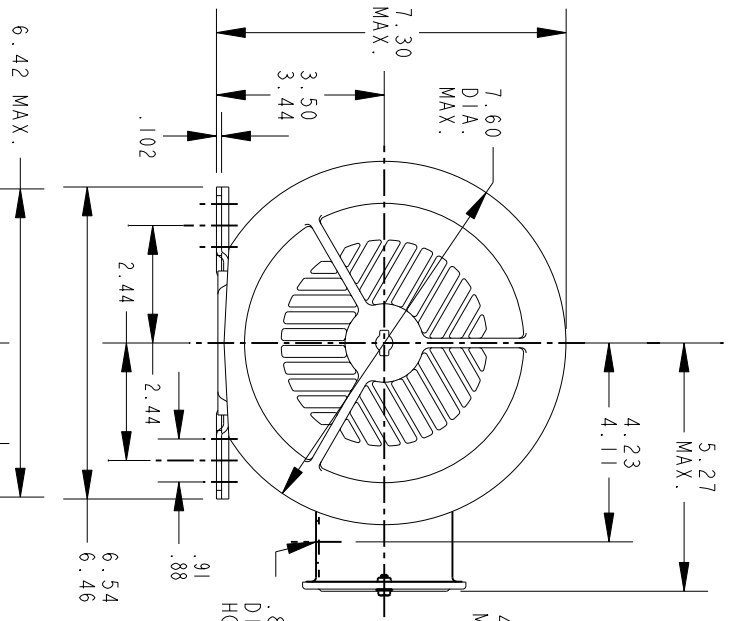
Electrical Type	<b>Split Phase</b>	Starting Method	<b>SM</b>
Poles	<b>4</b>	Rotation	<b>CCW/CW</b>
Mounting	<b>RB</b>	Motor Orientation	<b>ANY</b>
Drive End Bearing	<b>BALL</b>	Opp Drive End Bearing	<b>BALL</b>
Frame Material	<b>Rolled Steel</b>	Overall Length	<b>11.11 in</b>
Frame Length	<b>5.72 in</b>	Shaft Diameter	<b>0.63 in</b>
Shaft Extension	<b>1.88 in</b>	Thru-bolts Extension	<b>0</b>



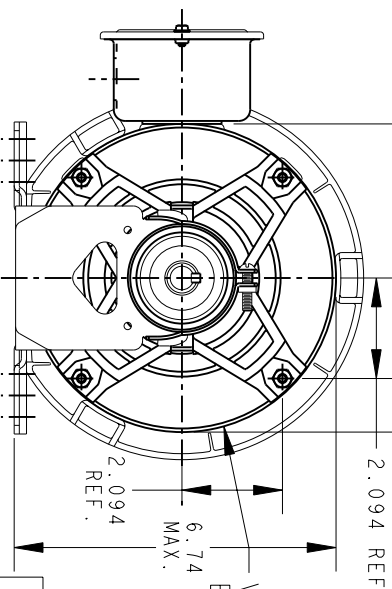
THIRD ANGLE PROJECTION

REVISIONS

REV.	DESCRIPTION	DATE	APPROVED
4	CHG TO RBC FORMAT PER IS05-11777	03/21/06	SUDHA



\*W IS A VARIABLE CLEARANCE DUE TO VARIATIONS IN PARTS AND ASSEMBLY



VIEW OF P.E. END SHIELD

ALL DIMENSIONS ARE IN INCHES

4	3	2	1	P
KH	KH	KH	KH	TYPE
42	49	49	49	GE SIZE
56	56	56	56	NEMA FR.
11.11	13.07	11.94	11.54	"C"
4.85	6.81	5.68	5.28	"L"
SIGNATURES		DATE		MIN. SHELL
MODEL M.D. PAPER		04/20/94		
DETAIL				
CHECKED				
ENGRG				
MFG				
QUALITY				
ISSUED		M.D. PAPER		
03/10/95				
SOLID MODEL: 52A109615				



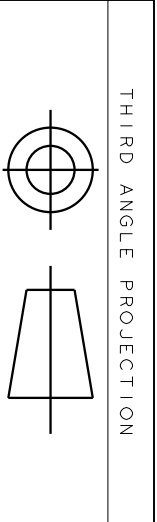
REGAL-BELOTT CORPORATION

OUTLINE

GENERAL PURPOSE MOTOR - TEFC - BALL BEARING  
 - RESILIENT BASE EXTENDED CLAMP SCREWS FMF - 5KH49MM6060

SIZE DRAWING A  
 SCALE: 0.250 REF. No.:  
 52A109615 REV 4

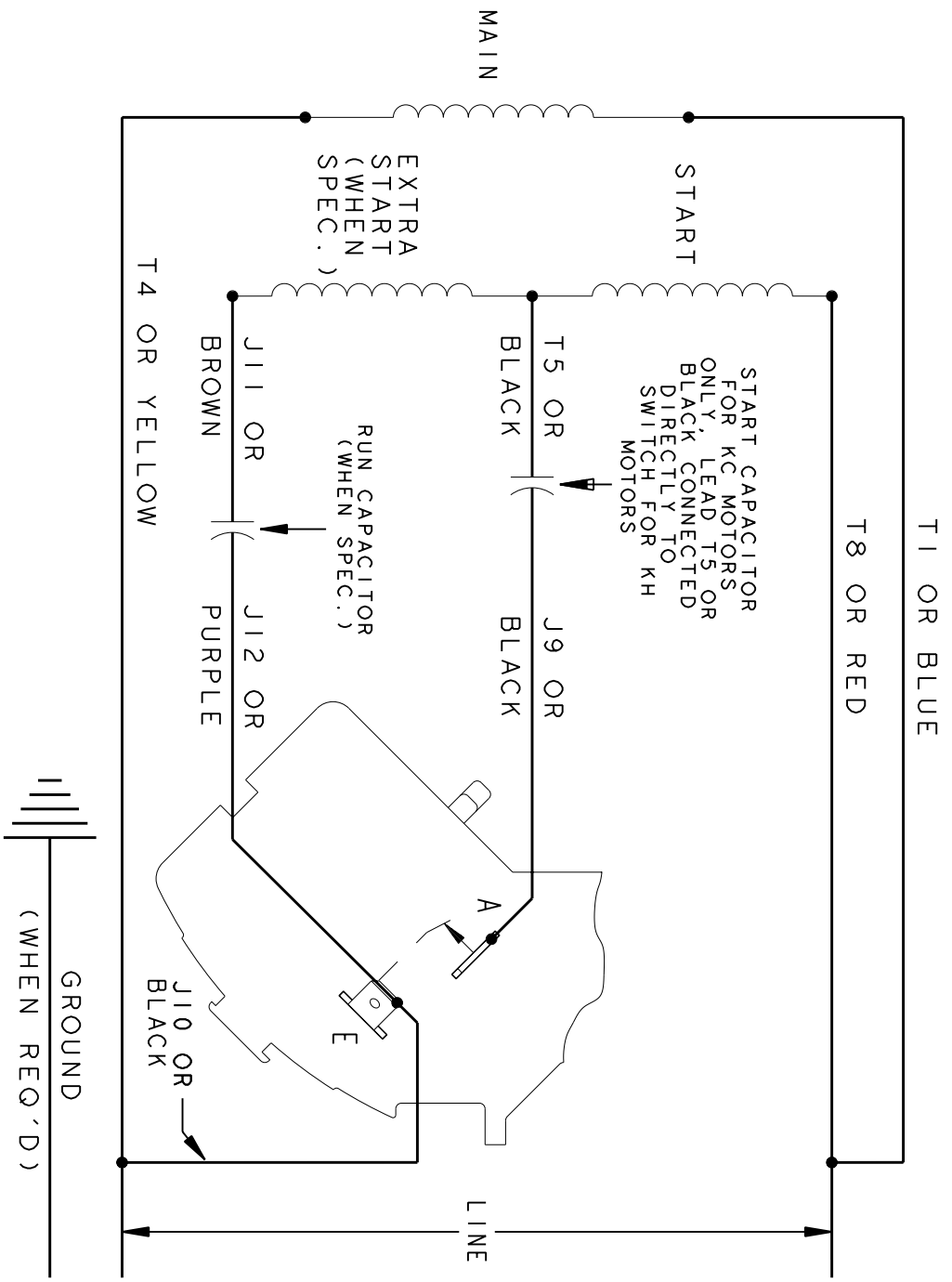
FOR ADDITIONAL INFO REFER TO:  
 APPLIED PRACTICES  
 DIMENSIONS ARE IN INCHES  
 MATERIAL



REV.	DESCRIPTION	DATE	APPROVED
6	UPDATED FORMAT	11/11/05	MAM

REVISIONS

CCW/CW ROTATION - SINGLE VOLTAGE  
TYPE KC, KCR OR KH



NOTE #1 - TO REVERSE ROTATION INTERCHANGE BLUE (T1) AND YELLOW (T4) LEADS.  
NOTE #2 - WHEN MORE THAN ONE CAPACITOR IS USED CONNECT IN PARALLEL.

REF. DIAG. - 113A328		SWITCH (C) - 115D958AA	
CONNECTION LABEL - 52X332919			
<b>REGAL-BELOLT CORPORATION</b>			
<b>CONNECTION DIAGRAM</b>			
<b>FME: 30 FRAME SWITCH REDESIGN</b>			
MODEL	M.D. PAPER	DATE	
DETAIL			
CHECKED			
ENGRG			
MFG			
FOR ADDITIONAL INFO REFER TO:	QUALITY		
APPLIED PRACTICES	ISSUED	M.D.P.	
DIMENSIONS ARE IN INCHES	SOLID MODEL: 52A105377BA	01/20/99	
MATERIAL			

SCALE: 1.000 REF. No.:  
SIZE DRAWING A  
REV 6