

PRODUCT INFORMATION PACKET

Modal No: 5KH48UN6074
Catalog No: H221
1/2, 1140, DP, 56CZ, 1/60/115
Single Phase



Regal and Marathon are trademarks of Regal Beloit Corporation or one of its affiliated companies.
©2017 Regal Beloit Corporation, All Rights Reserved. MC017097E



Nameplate Specifications

Output HP	0.5 Hp	Output KW	0.37 kW
Frequency	60 Hz	Voltage	115 V
Current	9 A	Speed	1140 rpm
Service Factor	1.25	Phases	1
Efficiency	62 %	Duty	CONT
Insulation Class	B	KVA Code	M
Frame	56CZ	Enclosure	DP
Overload Protector	N/R	Ambient Temperature	40 °C
Drive End Bearing Size	6203	Opp Drive End Bearing Size	6203
UL	Recognized	CSA	Yes
CE	N		

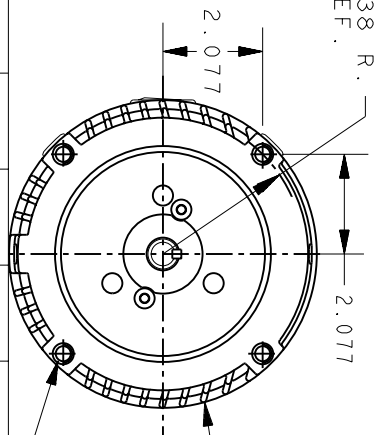
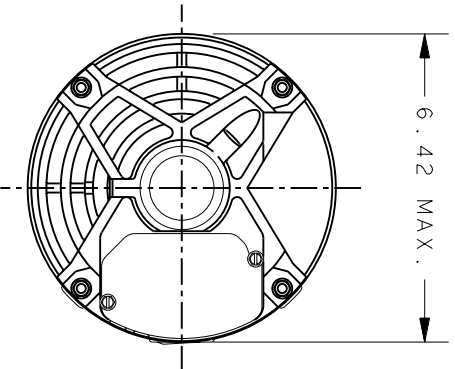
Technical Specifications

Electrical Type	Split Phase	Starting Method	SM
Poles	6	Rotation	CCW/CW
Mounting	RD	Motor Orientation	ANY
Drive End Bearing	BALL	Opp Drive End Bearing	BALL
Frame Material	Rolled Steel	Overall Length	12.66 in
Frame Length	8.43 in	Shaft Diameter	0.63 in
Shaft Extension	2.25 in	Thru-bolts Extension	0

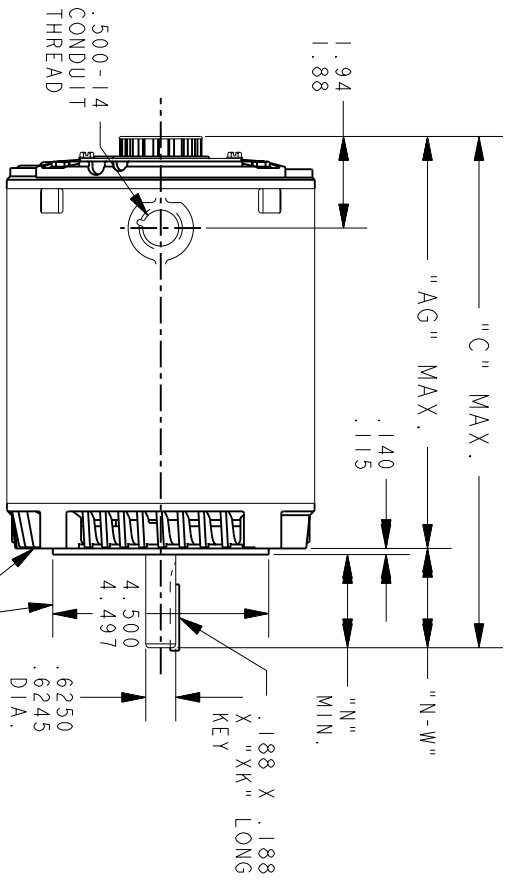
THIRD ANGLE PROJECTION



REVISIONS		DATE	APPROVED
REV.	DESCRIPTION		
5	REDRAWN & ADDED P#8	06/14/94	M.A.M.
6	CHG TO RBC FORMAT PER IS05-11777	03/03/06	SUDHA



FACE RUNOUT (WITH INDICATOR MOUNTED STATIONARY, RELATIVE TO SHAFT) MUST NOT EXCEED .004 T.I.R.
 ECCENTRICITY OF THIS SURFACE (WITH INDICATOR MOUNTED STATIONARY, RELATIVE TO SHAFT) MUST NOT EXCEED .004 T.I.R.



VIEW OF P.E. END SHIELD

.375-16UNC-2B (4 HOLES) .70 MIN. FULL THREAD. THESE HOLES FIT A GAGE HAVING A RABBET 4.5005 DIA. AND 4 PINS .2917 DIA. LOCATED ON THE BASIC HOLE POSITIONS.

ALL DIMENSIONS ARE IN INCHES

8	7	6	5	4	3	2	1	P
KH	KH	KH	KH	KH	K	K	K	TYPE
46	49	46	48	49	49	46	49	GE SIZE
56CZ	56CZ	56CZ	56CZ	56CZ	56C	56C	56C	NEMA FR.
11.15	11.70	11.15	12.66	11.91	11.38	10.78	13.22	"C"
8.66	9.21	8.66	10.54	9.79	9.26	8.66	11.10	"AG"
2.25	2.25	2.25	2.25	2.25	1.88	1.88	1.88	"N"
2.49/2.37	2.49/2.37	2.49/2.37	2.49/2.37	2.49/2.37	2.12/2.00	2.12/2.00	2.12/2.00	"N-W"
1.62	1.38	1.38	1.62	1.62	1.38	1.38	1.38	"XK"
6.55	7.15	6.55	8.43	7.68	7.15	6.55	8.99	MIN. SHELL

SIGNATURES		DATE
MODEL	M.D. PAPER	07/20/92
DETAIL		
CHECKED		
ENGRG		
MFG		
QUALITY		
ISSUED	M.A.M.	06/14/94
SOLID MODEL:	52A107807	



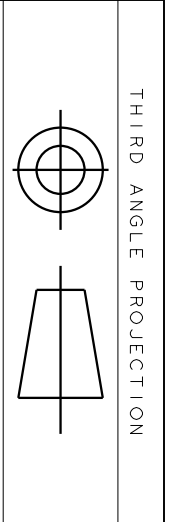
REGAL-BELOTT CORPORATION

TITLE OUTLINE

GENERAL PURPOSE MOTOR DRIP PROOF - BALL BEARING - R2 END MOUNTED FWF - 40 FRAME REDESIGN

SIZE DRAWING A 52A107807 REV 6

SCALE: 0.250 REF. No.: SHEET 1 of 1

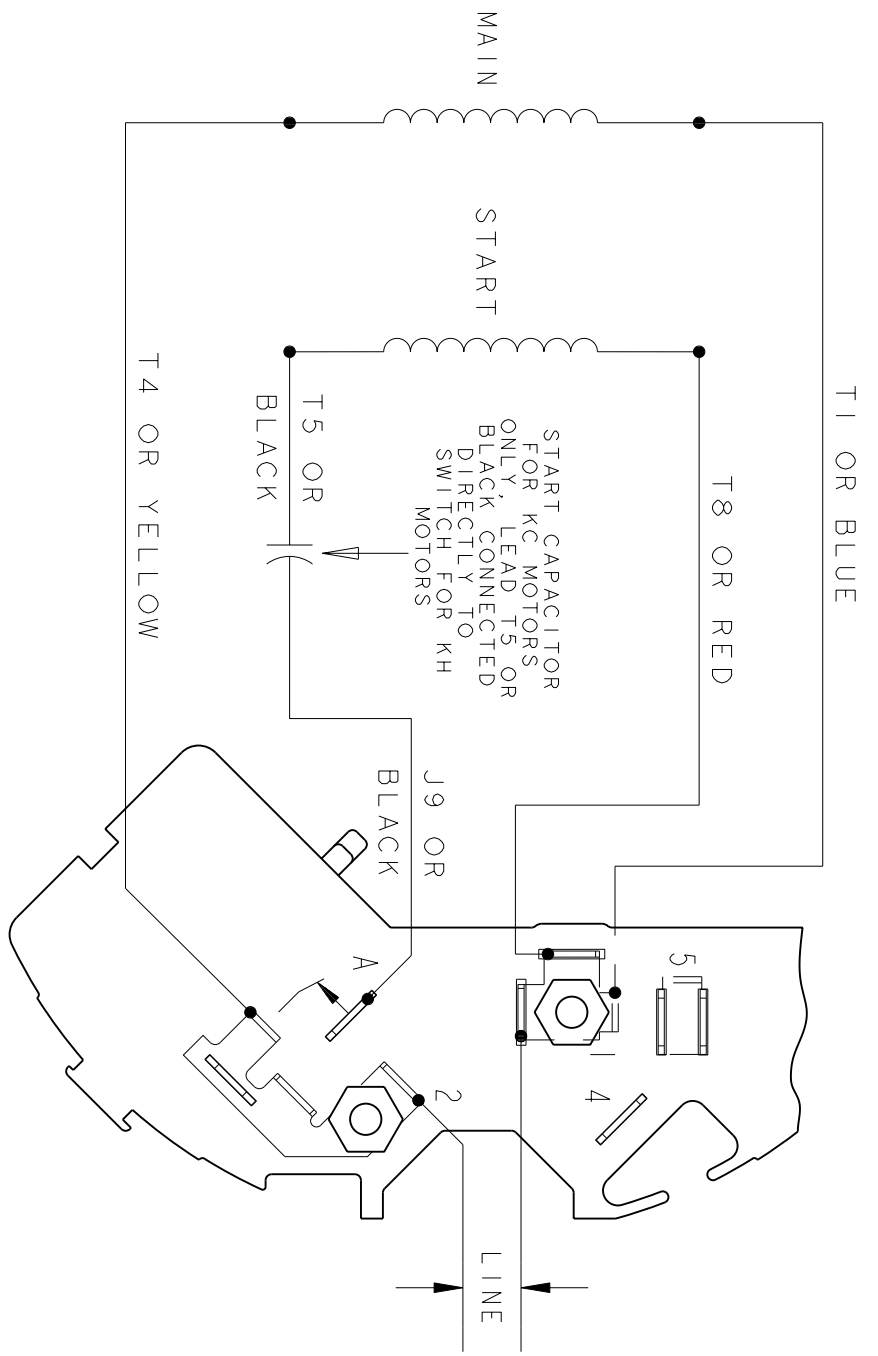


THIRD ANGLE PROJECTION

REVISIONS

REV.	DESCRIPTION	DATE	APPROVED
1	UPDATED FORMAT	11/10/05	MAM

EITHER ROTATION - SINGLE VOLTAGE
TYPE KC, OR KH



NOTE #1 - TO REVERSE ROTATION INTERCHANGE BLACK (T5-KH OR J9-KC) AND RED (T8) LEADS.

NOTE #2 - WHEN MORE THAN ONE CAPACITOR IS USED CONNECT IN PARALLEL.

REF. DIAG. - 121A850		SWITCH (C) - 115D958AB	
SIGNATURES		CONNECTION LABEL - 52X332047	
MODEL	M.D. PAPER	REGAL-BELOIT CORPORATION	
DETAIL	DATE	REGAL-BELOIT CORPORATION	
CHECKED		CONNECTION DIAGRAM	
ENGRG		FME: 30 FRAME SWITCH REDESIGN	
MFG		52A105377AA	
QUALITY		REV 1	
ISSUED	M.D.P.	SCALE: 1.000 REF. No: .	
MATERIAL	SOLID MODEL: 52A105377AA	SHEET 1 of 1	