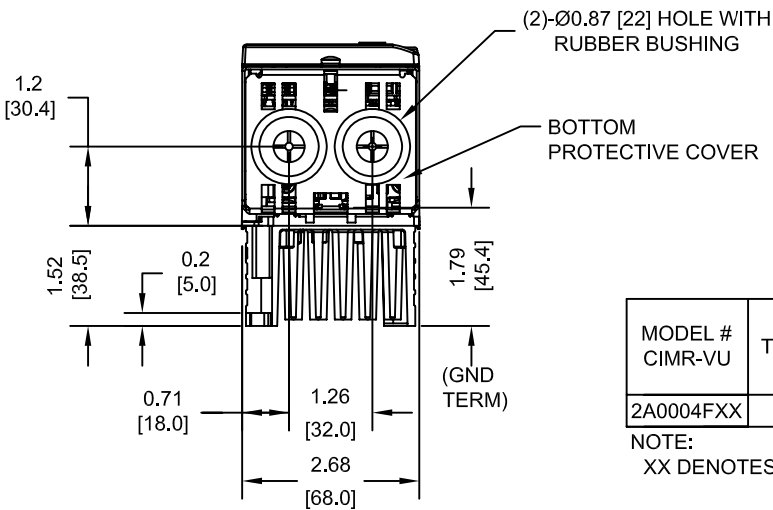
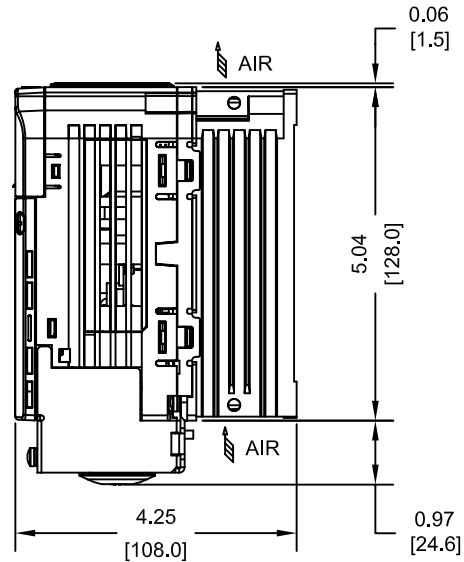
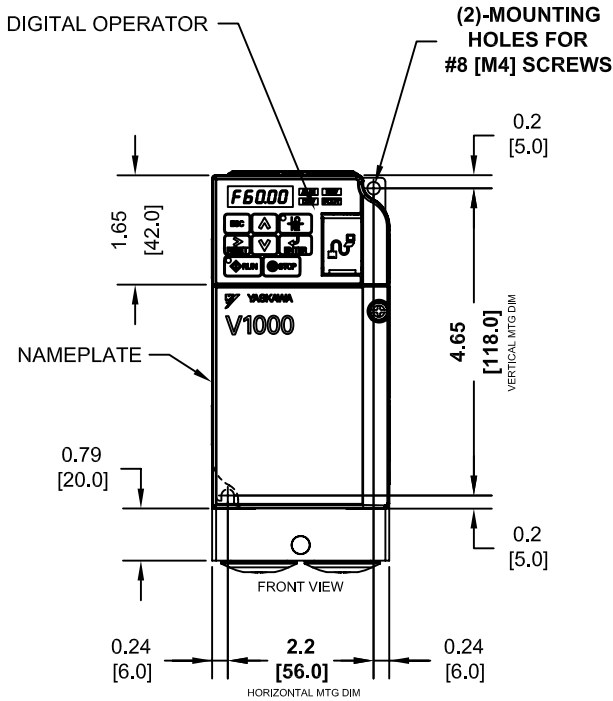
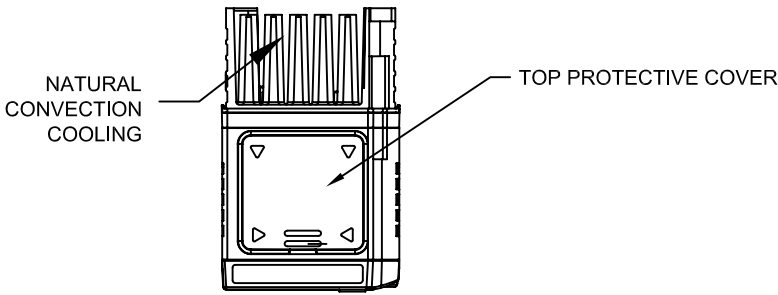


**NOTE:**

PROTECTIVE COVERS ARE FACTORY INSTALLED TO THE TOP AND BOTTOM OF THE DRIVE TO MEET IP20 & NEMA TYPE 1 REQUIREMENTS, RESULTING IN AN AMBIENT TEMPERATURE RATING OF 104F(40C). REMOVE THESE COVERS WHEN OPERATING THE DRIVE WITHIN A PANEL TO OBTAIN THE MAXIMUM SURROUNDING AIR TEMPERATURE RATING OF 122F(50C). REMOVING THESE COVERS RESULTS IN AN ENCLOSURE RATING OF IP00.



MODEL # CIMR-VU	VOLTAGE THREE PHASE (VAC)	OUTPUT CURRENT (A)		WEIGHT LBS (Kg)	HEAT LOSS (W)					
		ND	HD		ND (Fc=2kHz)			HD (Fc=8kHz)		
					INT	EXT	TOT	INT	EXT	TOT
2A0004FXX	208/240	3.5	3.0	2.4 (1.1)	13.6	15.8	29.4	11.5	16.2	27.7

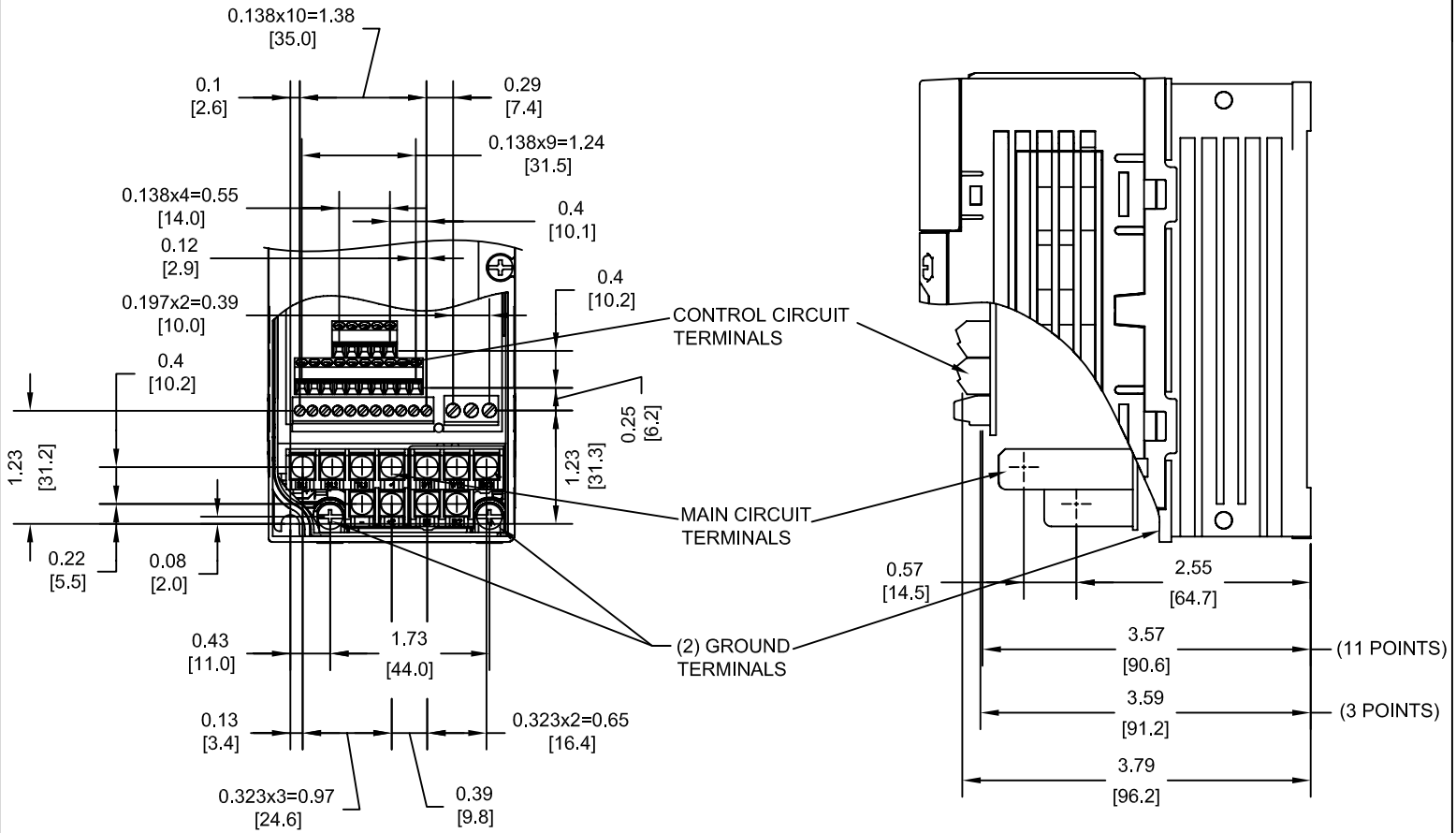
NOTE:  
XX DENOTES AA-ZZ

INT=INTERNAL COMPONENTS  
EXT=EXTERNAL HEATSINK  
TOT=TOTAL

FOR ADDITIONAL DETAILS AND SPECIFICATIONS, CONSULT MANUAL

TOLERANCES / REFERENCES:		<p><b>YASKAWA</b> The Drive for Quality™</p>	DRAWN: J. MATTAS CHECKED: M. RUCINSKI TECH: J. CAIRO APPROVED: T. SASADA ORIGINAL DESIGN: -	DATE: 12-5-07 DATE: 5-7-08 DATE: 2-11-08 DATE: 5-27-08 DATE: -	TITLE: V1000 DIMENSION DRAWING FRAME SIZE 2 NEMA TYPE 1 ENCLOSURE 2A0004F
UNITS: IN[mm]	SCALE: 1:3		THIS DOCUMENT AND INFORMATION CONTAINED IN IT ARE CONFIDENTIAL, AND CANNOT BE COPIED OR DISCLOSED IN WHOLE OR IN PART WITHOUT THE EXPRESS WRITTEN CONSENT OF YASKAWA ELECTRIC AMERICA INC.	SIZE A	REVISION R00
			DRAWING #: <b>DD.V1K.FR2.N1</b>		

TERMINAL AND WIRING DETAILS (SCALE 1:2)



TERMINAL AND WIRE SPECIFICATIONS FOR  
MAIN CIRCUIT AND GROUND

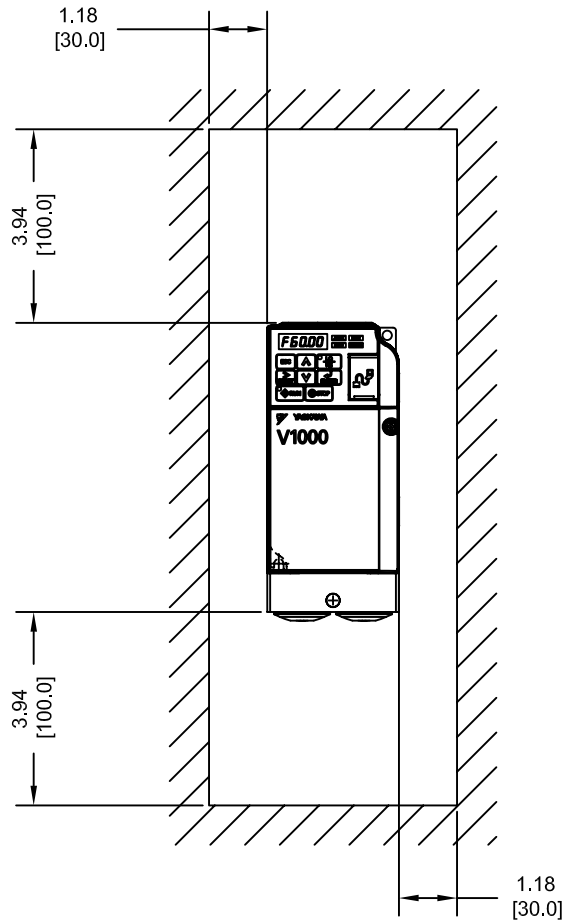
MODEL #	TERMINAL SCREW	CLAMPING TORQUE lb.in.(N.m.)	WIRE RANGE AWG(mm <sup>2</sup> )
CIMR-VU	M3.5	7.1 TO 8.9 (0.8 TO 1.0)	22-14 (0.33-2.0)
2A0004F	M3.5	7.1 TO 8.9 (0.8 TO 1.0)	22-14 (0.33-2.0)

NOTE: RATINGS APPLY TO BOTH FACTORY AND FIELD WIRING  
REFER TO APPLICABLE CODES FOR PROPER WIRE TYPE AND SIZE

FOR ADDITIONAL DETAILS AND SPECIFICATIONS, CONSULT MANUAL

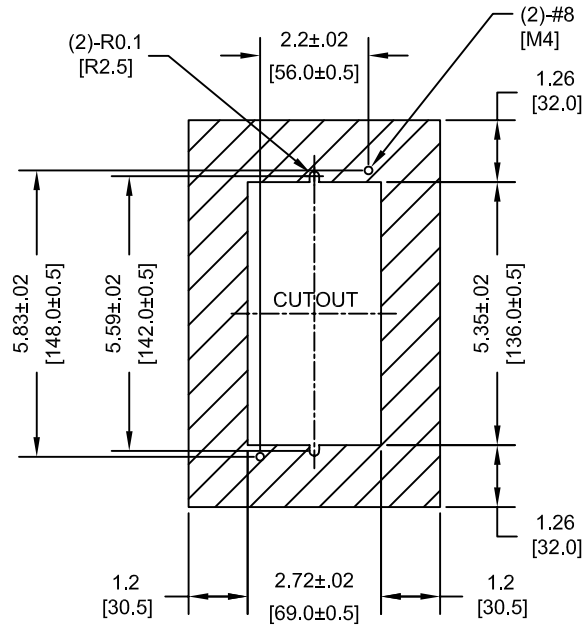
TOLERANCES / REFERENCES:		<p>THIS DOCUMENT AND INFORMATION CONTAINED IN IT ARE CONFIDENTIAL, AND CANNOT BE COPIED OR DISCLOSED IN WHOLE OR IN PART WITHOUT THE EXPRESS WRITTEN CONSENT OF YASKAWA ELECTRIC AMERICA INC.</p>	DRAWN: J. MATTAS CHECKED: M. RUCINSKI TECH: J. CAIRO APPROVED: T. SASADA ORIGINAL DESIGN: -	DATE 12-5-07 DATE 5-7-08 DATE 2-11-08 DATE 5-27-08 DATE -	TITLE: V1000 DIMENSION DRAWING FRAME SIZE 2 NEMA TYPE 1 ENCLOSURE 2A0004F
UNITS: IN[mm]	SCALE: BY VIEW		SIZE A REVISION R00 PAGE 2 of 3	DRAWING #: <b>DD.V1K.FR2.N1</b>	

MINIMUM INSTALLATION CLEARANCES (SCALE 1:4)



NOTE:  
FOR SIDE-BY-SIDE MOUNTING  
CONSULT MANUAL

PANEL CUTOUT FOR EXTERNAL HEATSINK  
MOUNTING CONFIGURATION (SCALE 1:4)



NOTES:  
1. EXTERNAL HEATSINK  
CONFIGURATION REQUIRES  
MOUNTING KIT  
2. EXPOSED HEATSINK  
RECOMMENDED CLEARANCE  
D=1.97" MINUS PANEL THICKNESS

TOLERANCES / REFERENCES:			DATE	TITLE:	
			12-5-07	V1000 DIMENSION DRAWING	
		DRAWN:	DATE	FRAME SIZE 2	
		J. MATTAS	5-7-08	NEMA TYPE 1 ENCLOSURE	
		CHECKED:	DATE	2A0004F	
		M. RUCINSKI	2-11-08	SIZE	REVISION
		TECH:	DATE	A	R00
		J. CAIRO	5-27-08	PAGE	
		APPROVED:	DATE	3 of 3	
		T. SASADA	-	DRAWING #:	
UNITS:	SCALE:	ORIGINAL DESIGN:	DATE	DD.V1K.FR2.N1	
IN[mm]	BY VIEW	-	-		