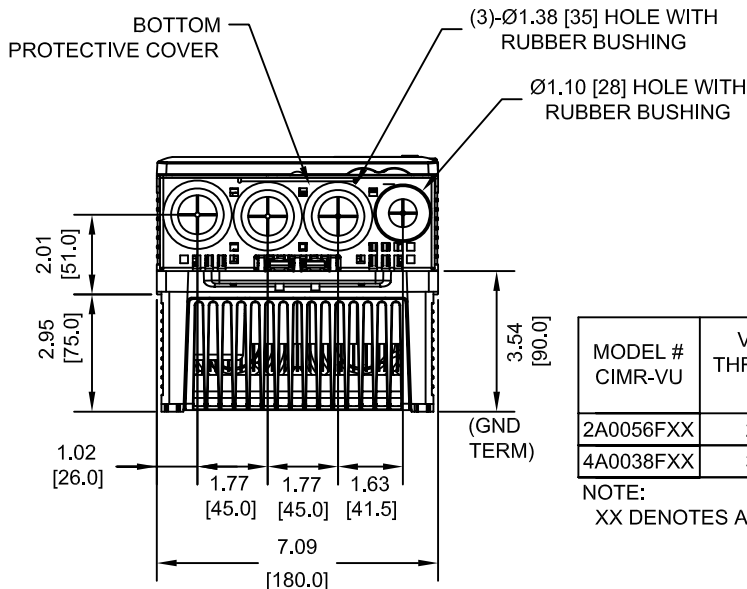
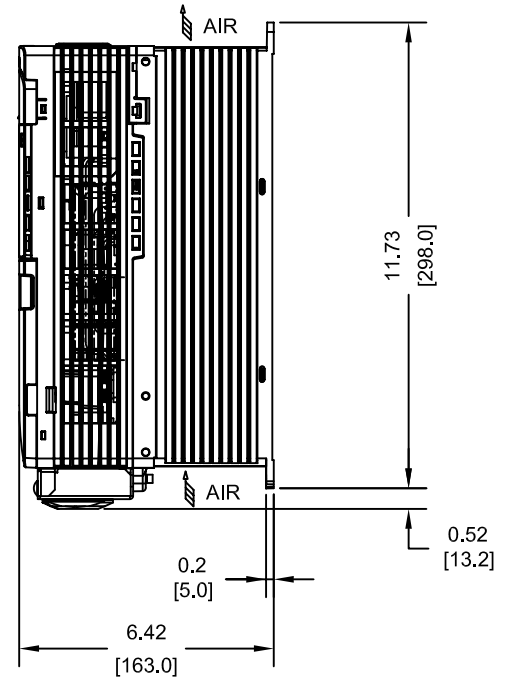
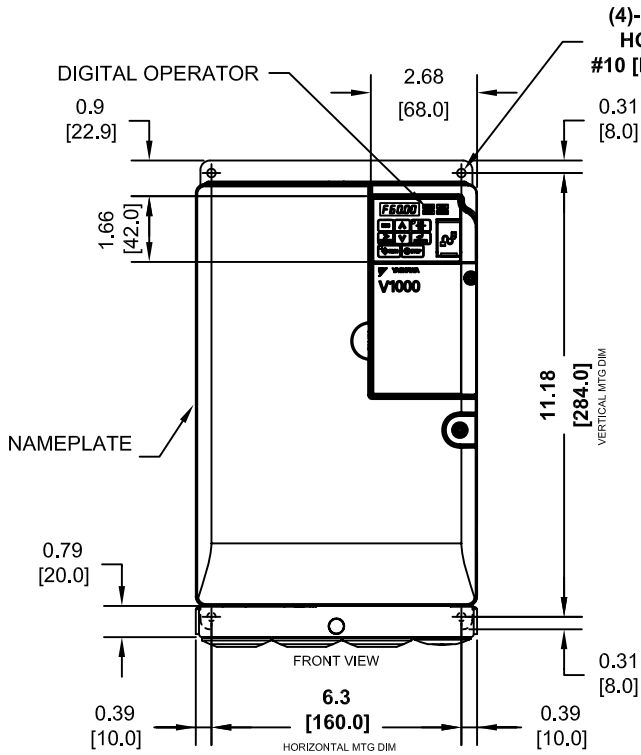


**NOTE:**  
PROTECTIVE COVERS ARE FACTORY INSTALLED TO THE TOP AND BOTTOM OF THE DRIVE TO MEET IP20 & NEMA TYPE 1 REQUIREMENTS, RESULTING IN AN AMBIENT TEMPERATURE RATING OF 104F(40C). REMOVE THESE COVERS WHEN OPERATING THE DRIVE WITHIN A PANEL TO OBTAIN THE MAXIMUM SURROUNDING AIR TEMPERATURE RATING OF 122F(50C). REMOVING THESE COVERS RESULTS IN AN ENCLOSURE RATING OF IP00.



MODEL # CIMR-VU	VOLTAGE THREE PHASE (VAC)	OUTPUT CURRENT (A)		WEIGHT LBS (Kg)	HEAT LOSS (W)					
					ND (Fc=2kHz)			HD (Fc=8kHz)		
		ND	HD		INT	EXT	TOT	INT	EXT	TOT
2A0056FXX	208/240	56.0	47.0	12.1 (5.5)	151.8	357.9	509.7	117.6	347.6	465.2
4A0038FXX	380/480	38.0	31.0	12.1 (5.5)	155.8	319.2	475.0	126.6	319.1	445.7

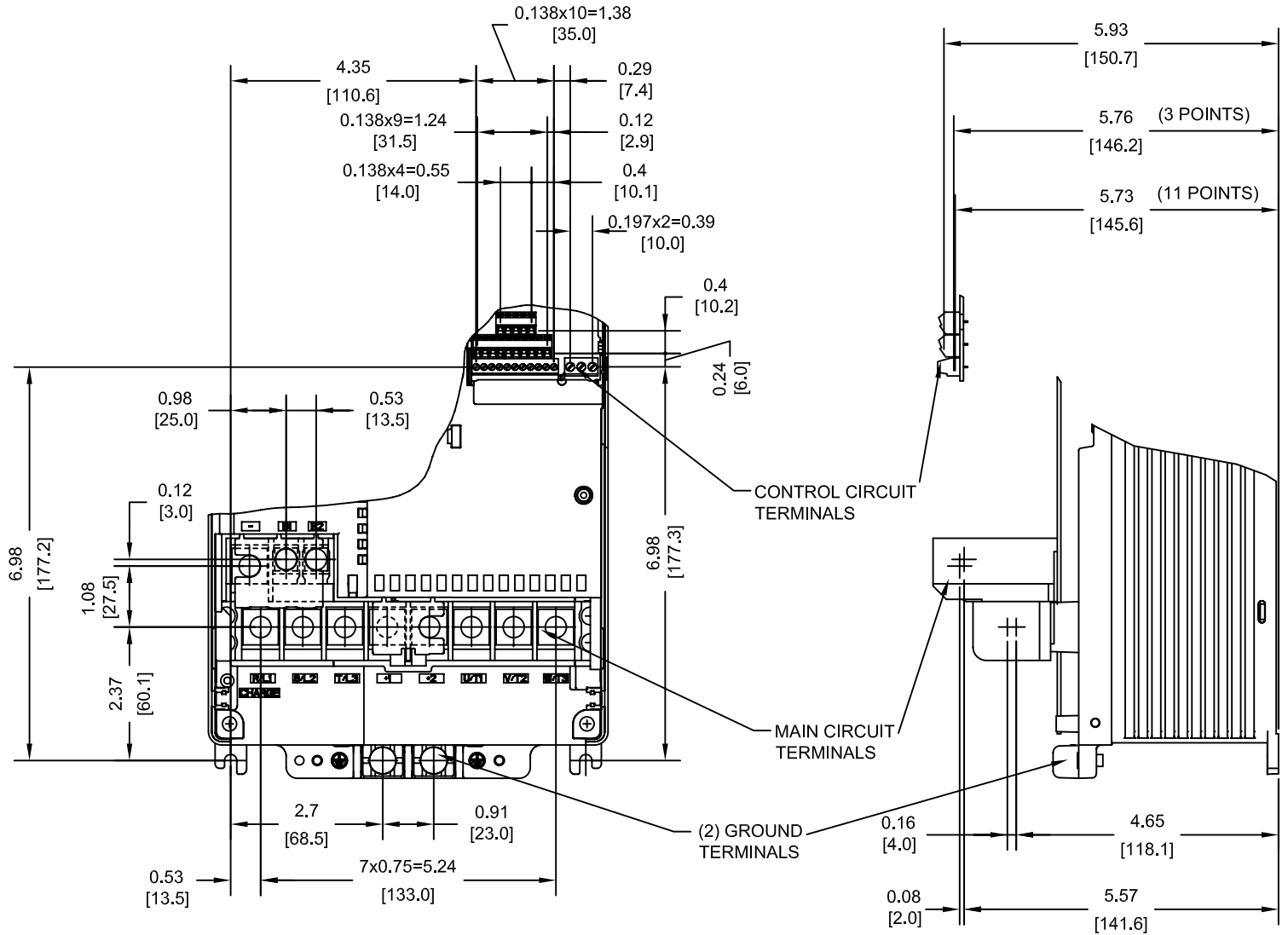
**NOTE:**  
XX DENOTES AA-ZZ

INT=INTERNAL COMPONENTS  
EXT=EXTERNAL HEATSINK  
TOT=TOTAL

FOR ADDITIONAL DETAILS AND SPECIFICATIONS, CONSULT MANUAL

TOLERANCES / REFERENCES:		<p><b>YASKAWA</b> The Drive for Quality™</p>	DRAWN: J. MATTAS	DATE 2-7-08	TITLE: V1000 DIMENSION DRAWING
UNITS: IN[mm]			SCALE: 1:5	CHECKED: M. RUCINSKI	DATE 5-7-08
THIS DOCUMENT AND INFORMATION CONTAINED IN IT ARE CONFIDENTIAL, AND CANNOT BE COPIED OR DISCLOSED IN WHOLE OR IN PART WITHOUT THE EXPRESS WRITTEN CONSENT OF YASKAWA ELECTRIC AMERICA INC.			TECH: J. CAIRO	DATE 3-27-08	NEMA TYPE 1 ENCLOSURE
			APPROVED: T. SASADA	DATE 5-27-08	2A0056F AND 4A0038F
			ORIGINAL DESIGN: -	DATE -	SIZE A
					REVISION R00
					PAGE 1 of 3
					DRAWING #: <b>DD.V1K.FR16.N1</b>

TERMINAL AND WIRING DETAILS (SCALE 1:3)



TERMINAL AND WIRE SPECIFICATIONS FOR MAIN CIRCUIT AND GROUND

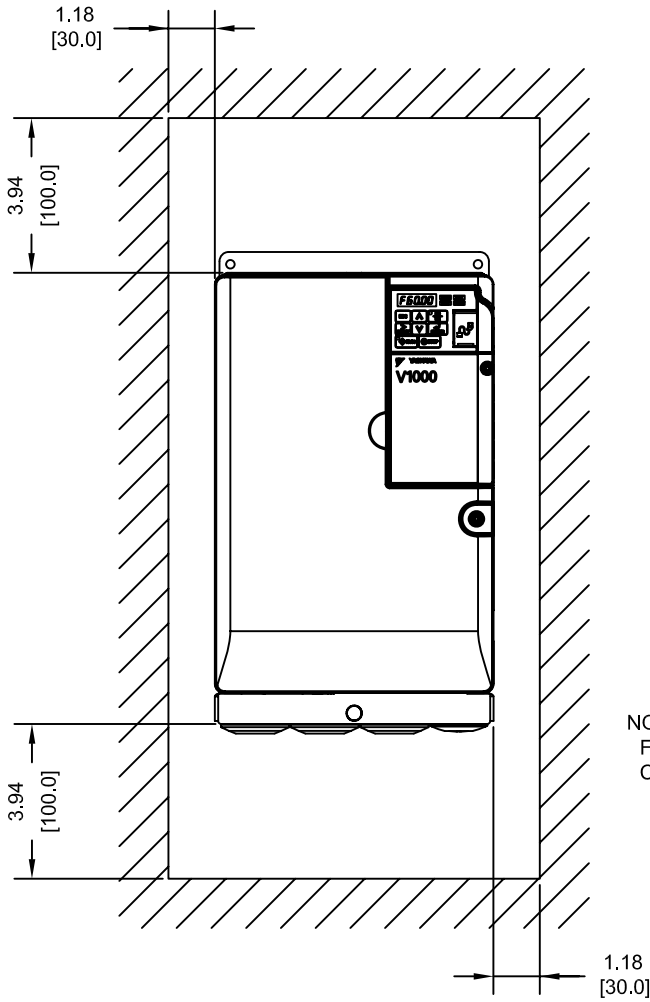
MODEL # CIMR-VU	TERMINAL SYMBOL	TERMINAL SCREW	CLAMPING TORQUE lb.in.(N.m.)	WIRE RANGE AWG(mm <sup>2</sup> )
2A0056F	R/L1, S/L2, T/L3, ⊖, ⊕1, ⊕2, U/T1, V/T2, W/T3	M6	35.4 TO 53.1 (4 TO 6)	6-4 (14-22)
	B1, B2	M5	17.7 TO 22.1 (2 TO 2.5)	10-6 (5.5-14)
	⊕	M6	35.4 TO 53.1 (4 TO 6)	6-4 (14-22)
4A0038F	R/L1, S/L2, T/L3, ⊖, ⊕1, ⊕2, U/T1, V/T2, W/T3, B1, B2	M5	17.7 TO 22.1 (2 TO 2.5)	10-6 (5.5-14)
	⊕	M6	35.4 TO 53.1 (4 TO 6)	10-6 (5.5-14)

NOTE: RATINGS APPLY TO BOTH FACTORY AND FIELD WIRING  
 REFER TO APPLICABLE CODES FOR PROPER WIRE TYPE AND SIZE

FOR ADDITIONAL DETAILS AND SPECIFICATIONS, CONSULT MANUAL

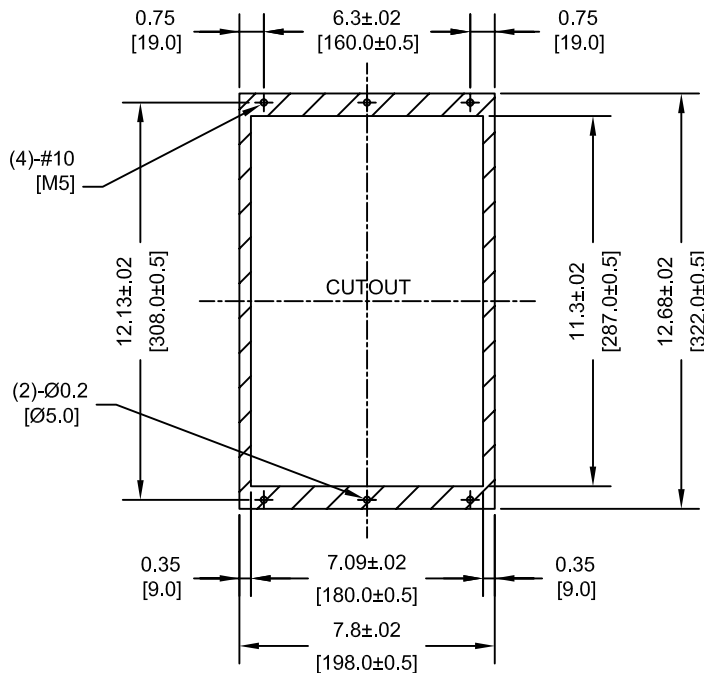
TOLERANCES / REFERENCES:		DRAWN: J. MATTAS DATE: 2-7-08	TITLE: V1000 DIMENSION DRAWING FRAME SIZE 16 NEMA TYPE 1 ENCLOSURE 2A0056F AND 4A0038F			
		CHECKED: M. RUCINSKI DATE: 5-7-08	TECH: J. CAIRO DATE: 3-27-08	SIZE: A	REVISION: R00	PAGE: 2 of 3
		APPROVED: T. SASADA DATE: 5-27-08	ORIGINAL DESIGN: -	DATE: -	DRAWING #: DD.V1K.FR16.N1	
		UNITS: IN[mm]	SCALE: BY VIEW	THIS DOCUMENT AND INFORMATION CONTAINED IN IT ARE CONFIDENTIAL, AND CANNOT BE COPIED OR DISCLOSED IN WHOLE OR IN PART WITHOUT THE EXPRESS WRITTEN CONSENT OF YASKAWA ELECTRIC AMERICA INC.		

MINIMUM INSTALLATION CLEARANCES (SCALE 1:5)



NOTE:  
FOR SIDE-BY-SIDE MOUNTING  
CONSULT MANUAL

PANEL CUTOUT FOR EXTERNAL HEATSINK  
MOUNTING CONFIGURATION (SCALE 1:6)



NOTES:  
1. EXTERNAL HEATSINK  
CONFIGURATION REQUIRES  
MOUNTING KIT  
2. EXPOSED HEATSINK  
RECOMMENDED CLEARANCE  
D=3.15" MINUS PANEL THICKNESS

TOLERANCES / REFERENCES:		<p><b>YASKAWA</b> The Drive for Quality™</p> <p>THIS DOCUMENT AND INFORMATION CONTAINED IN IT ARE CONFIDENTIAL, AND CANNOT BE COPIED OR DISCLOSED IN WHOLE OR IN PART WITHOUT THE EXPRESS WRITTEN CONSENT OF YASKAWA ELECTRIC AMERICA INC.</p>	DRAWN: J. MATTAS DATE 2-7-08	TITLE: V1000 DIMENSION DRAWING FRAME SIZE 16 NEMA TYPE 1 ENCLOSURE 2A0056F AND 4A0038F
			CHECKED: M. RUCINSKI DATE 5-7-08	DATE 3-27-08
			TECH: J. CAIRO DATE 5-27-08	DATE 5-27-08
			APPROVED: T. SASADA DATE -	DATE -
UNITS: IN[mm]	SCALE: BY VIEW		ORIGINAL DESIGN: -	DRAWING #: <b>DD.V1K.FR16.N1</b>
			SIZE A	REVISION R00
			PAGE 3 of 3	