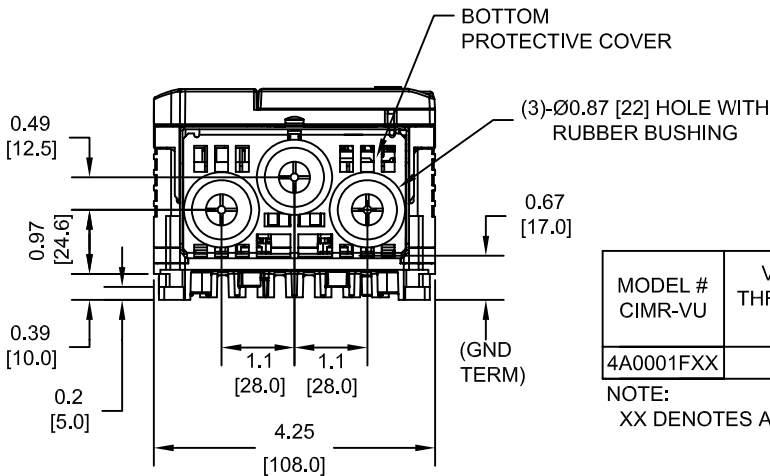
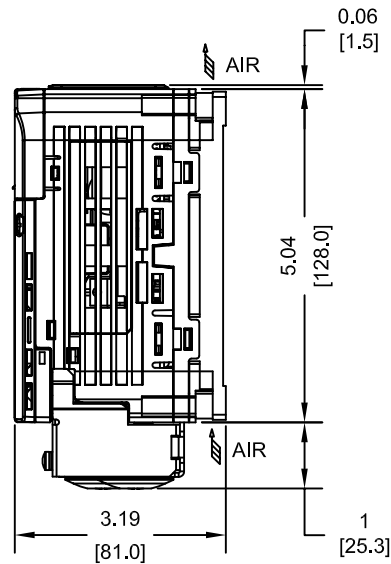
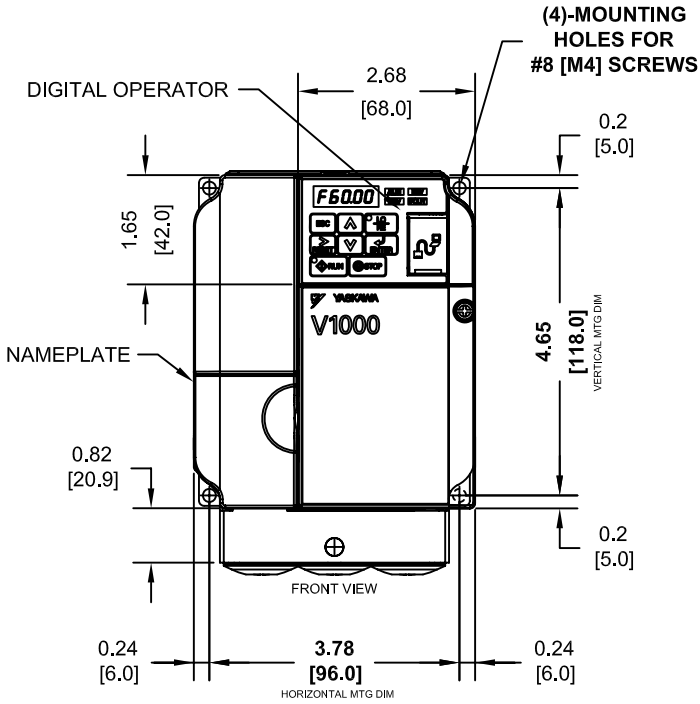


**NOTE:**  
 PROTECTIVE COVERS ARE FACTORY INSTALLED TO THE TOP AND BOTTOM OF THE DRIVE TO MEET IP20 & NEMA TYPE 1 REQUIREMENTS, RESULTING IN AN AMBIENT TEMPERATURE RATING OF 104F(40C). REMOVE THESE COVERS WHEN OPERATING THE DRIVE WITHIN A PANEL TO OBTAIN THE MAXIMUM SURROUNDING AIR TEMPERATURE RATING OF 122F(50C). REMOVING THESE COVERS RESULTS IN AN ENCLOSURE RATING OF IP00.



MODEL # CIMR-VU	VOLTAGE THREE PHASE (VAC)	OUTPUT CURRENT (A)		WEIGHT LBS (Kg)	HEAT LOSS (W)					
		ND	HD		ND (Fc=2kHz)			HD (Fc=8kHz)		
					INT	EXT	TOT	INT	EXT	TOT
4A0001FXX	380/480	1.2	1.2	2.6 (1.2)	9.6	10.0	19.6	11.5	19.2	30.7

NOTE:  
 XX DENOTES AA-ZZ

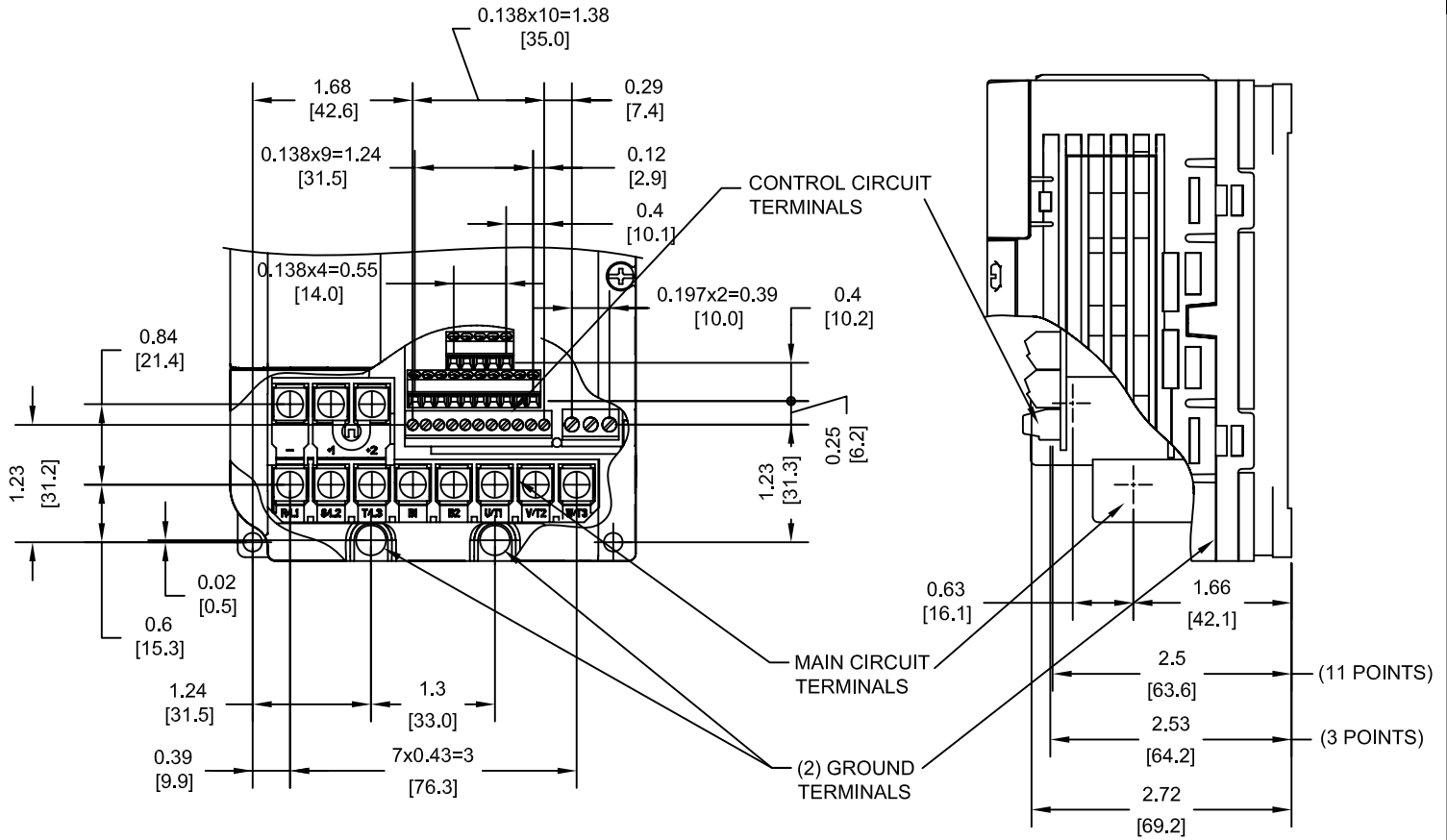
INT=INTERNAL COMPONENTS  
 EXT=EXTERNAL HEATSINK  
 TOT=TOTAL

FOR ADDITIONAL DETAILS AND SPECIFICATIONS, CONSULT MANUAL

TOLERANCES / REFERENCES:		 <b>YASKAWA</b> <i>The Drive for Quality™</i>	DRAWN: <b>J. MATTAS</b>	DATE: <b>12-7-07</b>	TITLE: <b>V1000 DIMENSION DRAWING</b> <b>FRAME SIZE 5</b> <b>NEMA TYPE 1 ENCLOSURE</b> <b>4A0001F</b>		
			CHECKED: <b>M. RUCINSKI</b>	DATE: <b>5-7-08</b>			
			TECH: <b>J. CAIRO</b>	DATE: <b>2-18-08</b>			
		APPROVED: <b>T. SASADA</b>	DATE: <b>5-27-08</b>	DATE: <b>5-27-08</b>	SIZE: <b>A</b>	REVISION: <b>R00</b>	PAGE: <b>1 of 3</b>
UNITS: <b>IN[mm]</b>	SCALE: <b>1:3</b>	ORIGINAL DESIGN: <b>-</b>	DATE: <b>-</b>	DATE: <b>-</b>	DRAWING #: <b>DD.V1K.FR5.N1</b>		

*THIS DOCUMENT AND INFORMATION CONTAINED IN IT ARE CONFIDENTIAL, AND CANNOT BE COPIED OR DISCLOSED IN WHOLE OR IN PART WITHOUT THE EXPRESS WRITTEN CONSENT OF YASKAWA ELECTRIC AMERICA INC.*

TERMINAL AND WIRING DETAILS (SCALE 1:2)



TERMINAL AND WIRE SPECIFICATIONS FOR  
MAIN CIRCUIT AND GROUND

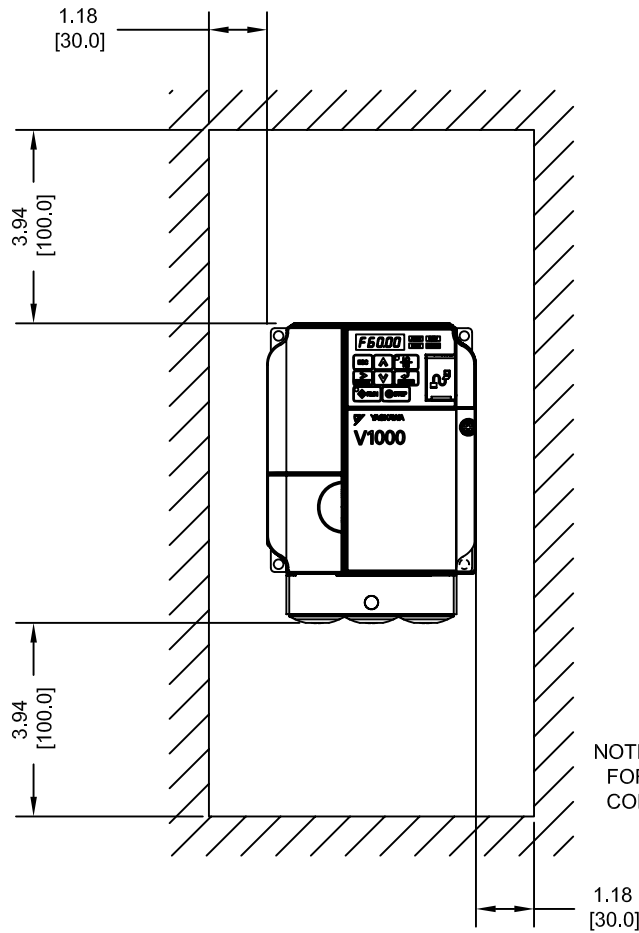
MODEL #	TERMINAL SCREW	CLAMPING TORQUE lb.in.(N.m.)	WIRE RANGE AWG(mm <sup>2</sup> )
4A0001F	M4	10.6 TO 13.3 (1.2 TO 1.5)	22-10 (0.33-5.5)

NOTE: RATINGS APPLY TO BOTH FACTORY AND FIELD WIRING  
REFER TO APPLICABLE CODES FOR PROPER WIRE TYPE AND SIZE

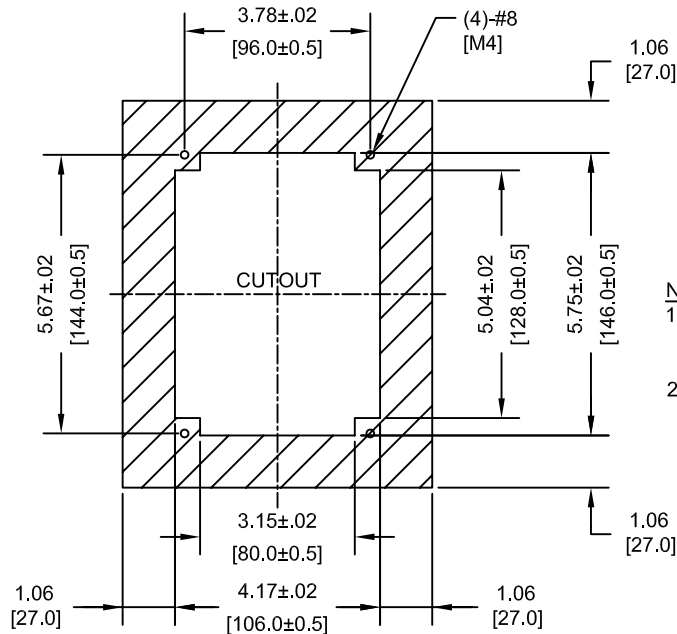
FOR ADDITIONAL DETAILS AND SPECIFICATIONS, CONSULT MANUAL

TOLERANCES / REFERENCES:		DRAWN:	J. MATTAS	DATE:	12-7-07	TITLE:	V1000 DIMENSION DRAWING FRAME SIZE 5 NEMA TYPE 1 ENCLOSURE 4A0001F		
		CHECKED:	M. RUCINSKI	DATE:	5-7-08				
UNITS: IN[mm]	SCALE: BY VIEW	THIS DOCUMENT AND INFORMATION CONTAINED IN IT ARE CONFIDENTIAL, AND CANNOT BE COPIED OR DISCLOSED IN WHOLE OR IN PART WITHOUT THE EXPRESS WRITTEN CONSENT OF YASKAWA ELECTRIC AMERICA INC.		TECH:	J. CAIRO	DATE:	2-18-08		
		APPROVED:	T. SASADA	DATE:	5-27-08	SIZE:	A	REVISION:	R00
		ORIGINAL DESIGN:	-	DATE:	-	DRAWING #:	DD.V1K.FR5.N1		

MINIMUM INSTALLATION CLEARANCES (SCALE 1:4)



PANEL CUTOUT FOR EXTERNAL HEATSINK MOUNTING CONFIGURATION (SCALE 1:4)



- NOTES:
- EXTERNAL HEATSINK CONFIGURATION REQUIRES MOUNTING KIT
  - EXPOSED HEATSINK RECOMMENDED CLEARANCE  $D=1.18''$  MINUS PANEL THICKNESS

TOLERANCES / REFERENCES:			DRAWN: J. MATTAS	DATE: 12-7-07	TITLE: V1000 DIMENSION DRAWING FRAME SIZE 5 NEMA TYPE 1 ENCLOSURE 4A0001F		
THIS DOCUMENT AND INFORMATION CONTAINED IN IT ARE CONFIDENTIAL, AND CANNOT BE COPIED OR DISCLOSED IN WHOLE OR IN PART WITHOUT THE EXPRESS WRITTEN CONSENT OF YASKAWA ELECTRIC AMERICA INC.			CHECKED: M. RUCINSKI	DATE: 5-7-08			
			TECH: J. CAIRO	DATE: 2-18-08			
			APPROVED: T. SASADA	DATE: 5-27-08			
UNITS: IN[mm]	SCALE: BY VIEW	ORIGINAL DESIGN: -	DATE: -	DRAWING #: DD.V1K.FR5.N1	SIZE: A	REVISION: R00	PAGE: 3 of 3