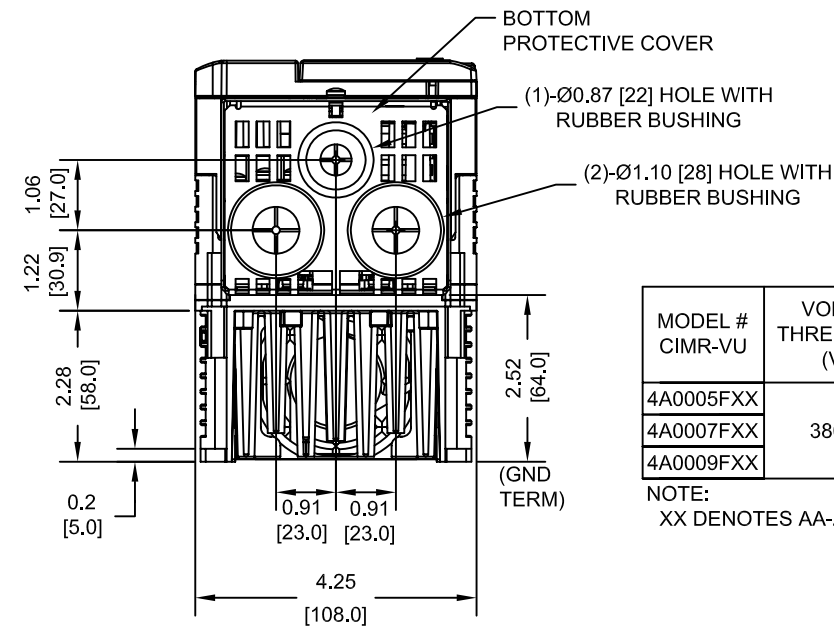
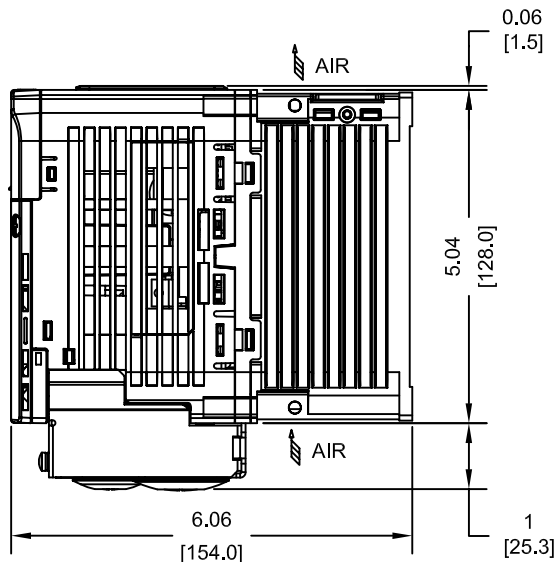
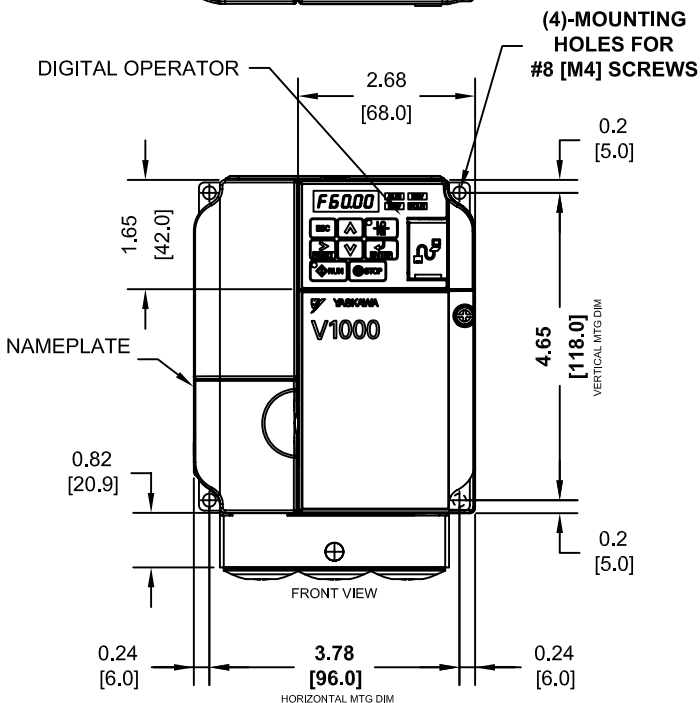


NOTE:
 PROTECTIVE COVERS ARE FACTORY INSTALLED TO THE TOP AND BOTTOM OF THE DRIVE TO MEET IP20 & NEMA TYPE 1 REQUIREMENTS, RESULTING IN AN AMBIENT TEMPERATURE RATING OF 104F(40C). REMOVE THESE COVERS WHEN OPERATING THE DRIVE WITHIN A PANEL TO OBTAIN THE MAXIMUM SURROUNDING AIR TEMPERATURE RATING OF 122F(50C). REMOVING THESE COVERS RESULTS IN AN ENCLOSURE RATING OF IP00.



MODEL # CIMR-VU	VOLTAGE THREE PHASE (VAC)	OUTPUT CURRENT (A)		WEIGHT LBS (Kg)	HEAT LOSS (W)					
					ND (Fc=2kHz)			HD (Fc=8kHz)		
		ND	HD		INT	EXT	TOT	INT	EXT	TOT
4A0005FXX	380/480	5.4	4.8	4.2 (1.9)	21.8	44.5	66.3	26.2	70.7	96.9
4A0007FXX		6.9	5.5	4.2 (1.9)	28.4	58.5	86.9	30.7	81.0	111.7
4A0009FXX		8.8	7.2	4.2 (1.9)	31.4	63.7	95.1	32.9	84.6	117.5

NOTE:
 XX DENOTES AA-ZZ

INT=INTERNAL COMPONENTS
 EXT=EXTERNAL HEATSINK
 TOT=TOTAL

FOR ADDITIONAL DETAILS AND SPECIFICATIONS, CONSULT MANUAL

TOLERANCES / REFERENCES:



THIS DOCUMENT AND INFORMATION CONTAINED IN IT ARE CONFIDENTIAL, AND CANNOT BE COPIED OR DISCLOSED IN WHOLE OR IN PART WITHOUT THE EXPRESS WRITTEN CONSENT OF YASKAWA ELECTRIC AMERICA INC.

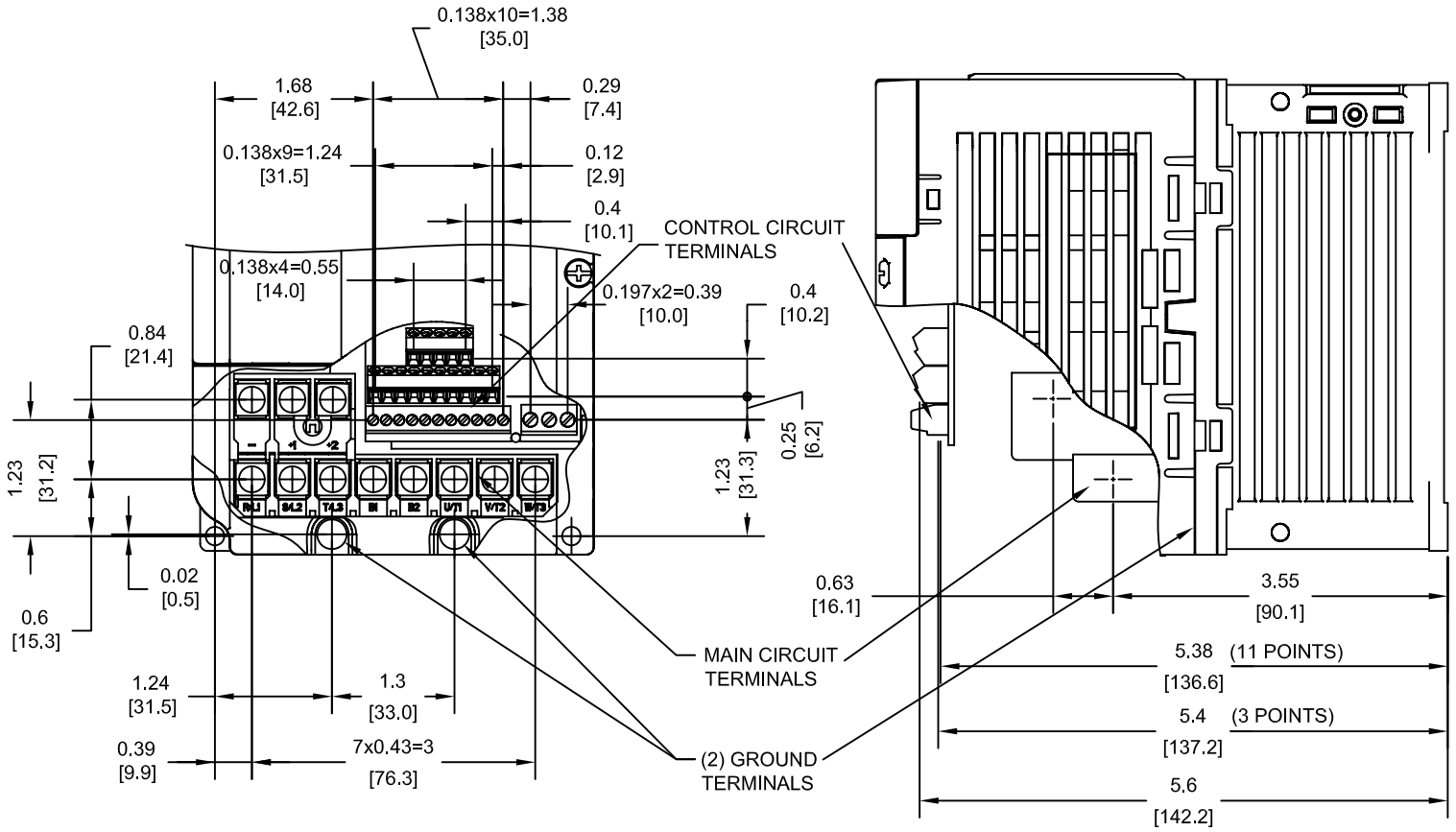
DRAWN: J. MATTAS	DATE 12-18-07
CHECKED: M. RUCINSKI	DATE 5-7-08
TECH: J. CAIRO	DATE 3-24-08
APPROVED: T. SASADA	DATE 5-27-08
ORIGINAL DESIGN: -	DATE -

TITLE: V1000 DIMENSION DRAWING		
FRAME SIZE 9		
NEMA TYPE 1 ENCLOSURE		
4A0005F, 4A0007F & 4A0009F		
SIZE A	REVISION R00	PAGE 1 of 3
DRAWING #: DD.V1K.FR9.N1		

UNITS:
IN[mm]

SCALE:
1:3

TERMINAL AND WIRING DETAILS (SCALE 1:2)



TERMINAL AND WIRE SPECIFICATIONS FOR
MAIN CIRCUIT AND GROUND

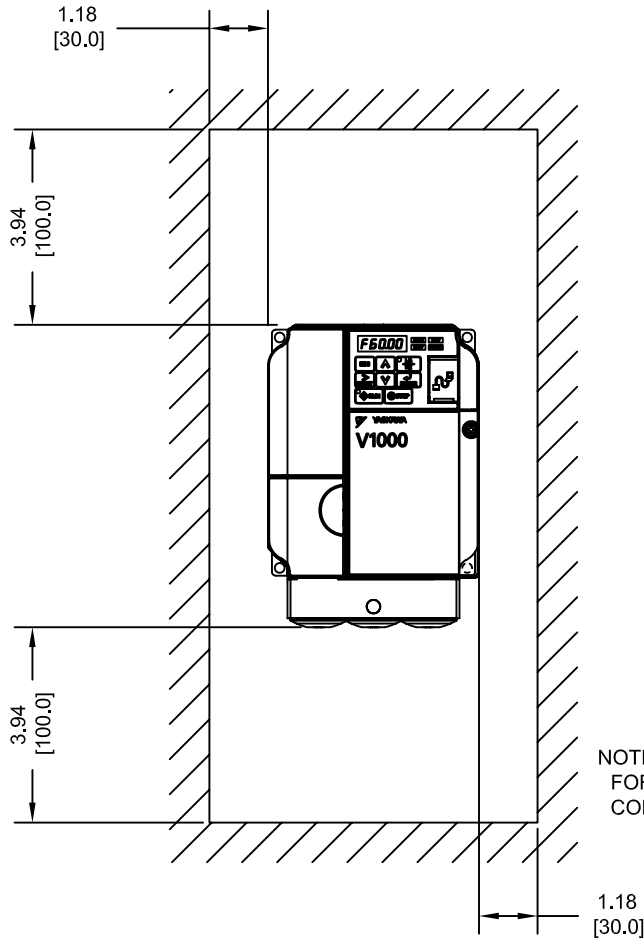
MODEL # CIMR-VU	TERMINAL SCREW	CLAMPING TORQUE lb.in.(N.m.)	WIRE RANGE AWG(mm ²)
4A0005F	M4	10.6 TO 13.3 (1.2 TO 1.5)	22-10 (0.33-5.5)
4A0007F	M4	10.6 TO 13.3 (1.2 TO 1.5)	22-10 (0.33-5.5)
4A0009F	M4	10.6 TO 13.3 (1.2 TO 1.5)	22-10 (0.33-5.5)

NOTE: RATINGS APPLY TO BOTH FACTORY AND FIELD WIRING
REFER TO APPLICABLE CODES FOR PROPER WIRE TYPE AND SIZE

FOR ADDITIONAL DETAILS AND SPECIFICATIONS, CONSULT MANUAL

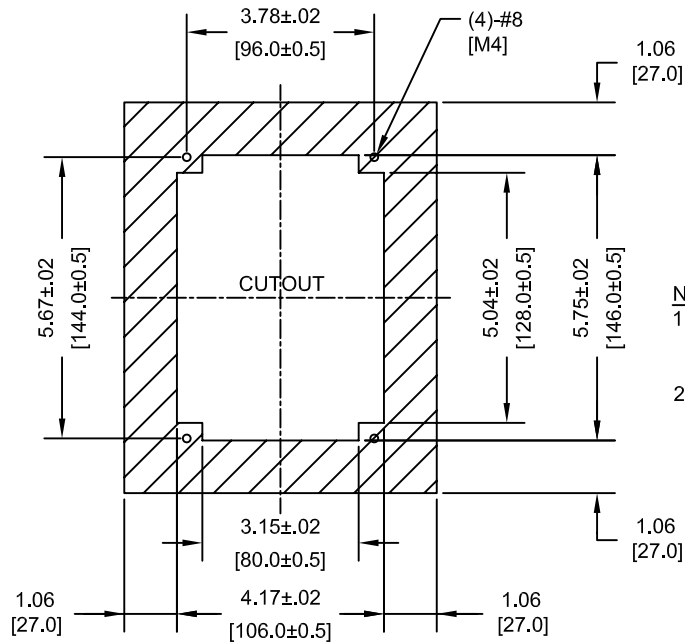
TOLERANCES / REFERENCES:		<p>THIS DOCUMENT AND INFORMATION CONTAINED IN IT ARE CONFIDENTIAL, AND CANNOT BE COPIED OR DISCLOSED IN WHOLE OR IN PART WITHOUT THE EXPRESS WRITTEN CONSENT OF YASKAWA ELECTRIC AMERICA INC.</p>	DRAWN: J. MATTAS	DATE 12-18-07	TITLE: V1000 DIMENSION DRAWING FRAME SIZE 9 NEMA TYPE 1 ENCLOSURE 4A0005F, 4A0007F & 4A0009F
UNITS: IN[mm]			CHECKED: M. RUCINSKI	DATE 5-7-08	
SCALE: BY VIEW			TECH: J. CAIRO	DATE 3-24-08	
			APPROVED: T. SASADA	DATE 5-27-08	
		ORIGINAL DESIGN:	DATE	SIZE A	REVISION R00
				PAGE 2 of 3	
				DRAWING #: DD.V1K.FR9.N1	

MINIMUM INSTALLATION CLEARANCES (SCALE 1:4)



NOTE:
FOR SIDE-BY-SIDE MOUNTING
CONSULT MANUAL

PANEL CUTOUT FOR EXTERNAL HEATSINK
MOUNTING CONFIGURATION (SCALE 1:4)



NOTES:
1. EXTERNAL HEATSINK
CONFIGURATION REQUIRES
MOUNTING KIT
2. EXPOSED HEATSINK
RECOMMENDED CLEARANCE
D=2.76" MINUS PANEL THICKNESS

TOLERANCES / REFERENCES:		<p>YASKAWA The Drive for Quality™</p>	DRAWN: J. MATTAS	DATE 12-18-07	TITLE: V1000 DIMENSION DRAWING
<p>THIS DOCUMENT AND INFORMATION CONTAINED IN IT ARE CONFIDENTIAL, AND CANNOT BE COPIED OR DISCLOSED IN WHOLE OR IN PART WITHOUT THE EXPRESS WRITTEN CONSENT OF YASKAWA ELECTRIC AMERICA INC.</p>			CHECKED: M. RUCINSKI	DATE 5-7-08	FRAME SIZE 9 NEMA TYPE 1 ENCLOSURE 4A0005F, 4A0007F & 4A0009F
UNITS: IN[mm]	SCALE: BY VIEW	TECH: J. CAIRO	DATE 3-24-08	SIZE A	REVISION R00
		APPROVED: T. SASADA	DATE 5-27-08	PAGE 3 of 3	
		ORIGINAL DESIGN: -	DATE -	DRAWING #: DD.V1K.FR9.N1	