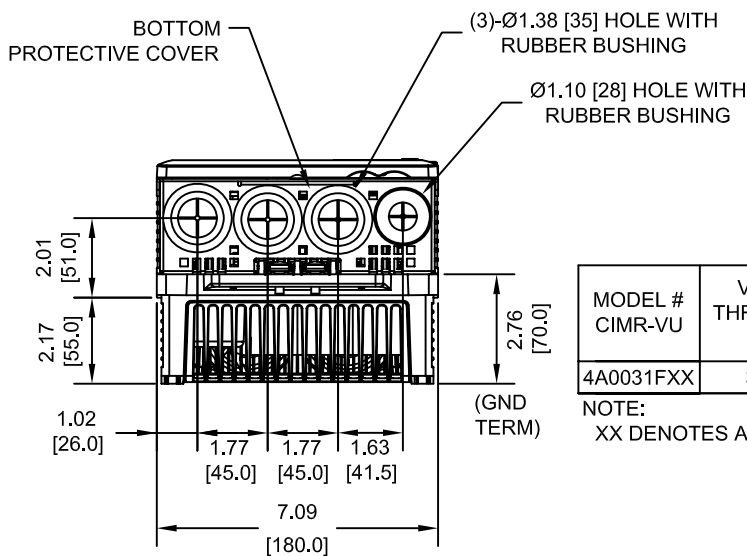
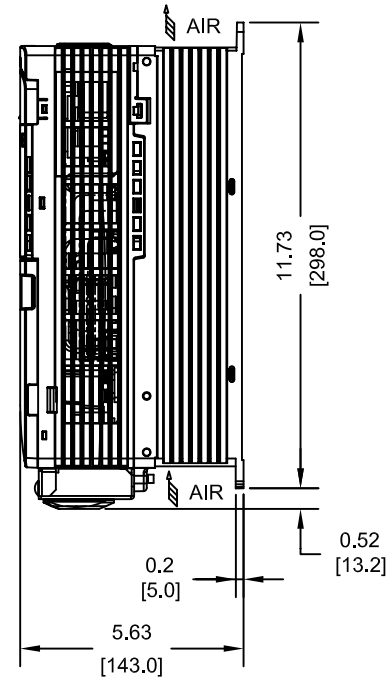
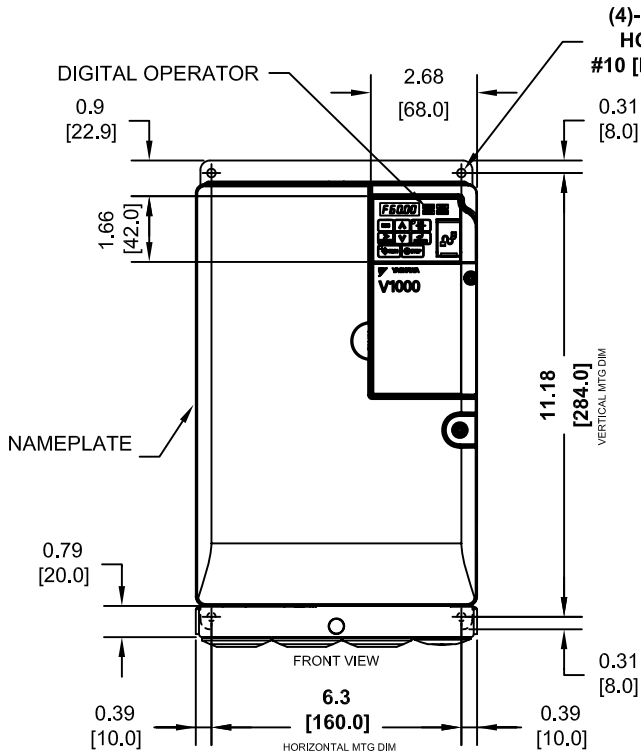


NOTE:
PROTECTIVE COVERS ARE FACTORY INSTALLED TO THE TOP AND BOTTOM OF THE DRIVE TO MEET IP20 & NEMA TYPE 1 REQUIREMENTS, RESULTING IN AN AMBIENT TEMPERATURE RATING OF 104F(40C). REMOVE THESE COVERS WHEN OPERATING THE DRIVE WITHIN A PANEL TO OBTAIN THE MAXIMUM SURROUNDING AIR TEMPERATURE RATING OF 122F(50C). REMOVING THESE COVERS RESULTS IN AN ENCLOSURE RATING OF IP00.



| MODEL # CIMR-VU | VOLTAGE THREE PHASE (VAC) | OUTPUT CURRENT (A) | | WEIGHT LBS (Kg) | HEAT LOSS (W) | | | | | |
|--------------------|---------------------------------|-----------------------|------|--------------------|---------------|-------|-------|--------------|-------|-------|
| | | | | | ND (Fc=2kHz) | | | HD (Fc=8kHz) | | |
| | | ND | HD | | INT | EXT | TOT | INT | EXT | TOT |
| 4A0031FXX | 380/480 | 31.0 | 24.0 | 11.4 (5.2) | 146.1 | 287.5 | 433.6 | 105.9 | 266.9 | 372.8 |

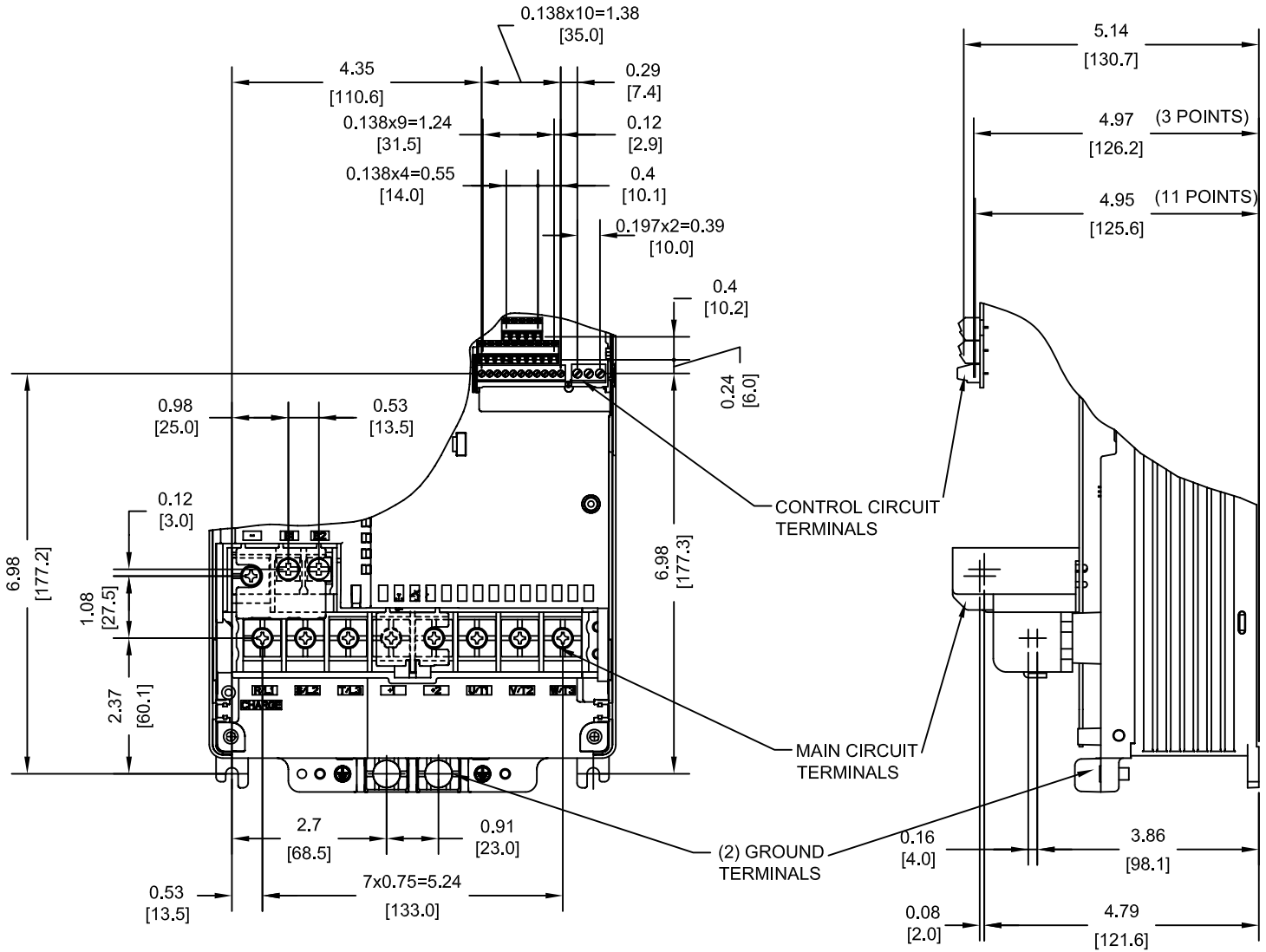
NOTE:
XX DENOTES AA-ZZ

INT=INTERNAL COMPONENTS
EXT=EXTERNAL HEATSINK
TOT=TOTAL

FOR ADDITIONAL DETAILS AND SPECIFICATIONS, CONSULT MANUAL

| | | | | |
|--------------------------|---------------|---|--|--|
| TOLERANCES / REFERENCES: | | <p>YASKAWA The Drive for Quality™</p> <p><i>THIS DOCUMENT AND INFORMATION CONTAINED IN IT ARE CONFIDENTIAL, AND CANNOT BE COPIED OR DISCLOSED IN WHOLE OR IN PART WITHOUT THE EXPRESS WRITTEN CONSENT OF YASKAWA ELECTRIC AMERICA INC.</i></p> | DRAWN: J. MATTAS DATE: 2-5-08 | TITLE: V1000 DIMENSION DRAWING FRAME SIZE 15 NEMA TYPE 1 ENCLOSURE 4A0031F |
| UNITS: IN[mm] | SCALE: 1:5 | | CHECKED: M. RUCINSKI DATE: 5-7-08 | REVISION R00 |
| | | TECH: J. CAIRO DATE: 3-27-08 | PAGE 1 of 3 | |
| | | APPROVED: T. SASADA DATE: 5-27-08 | DRAWING #: DD.V1K.FR15.N1 | |
| | | ORIGINAL DESIGN: - | DATE: - | |

TERMINAL AND WIRING DETAILS (SCALE 1:3)



TERMINAL AND WIRE SPECIFICATIONS FOR
MAIN CIRCUIT AND GROUND

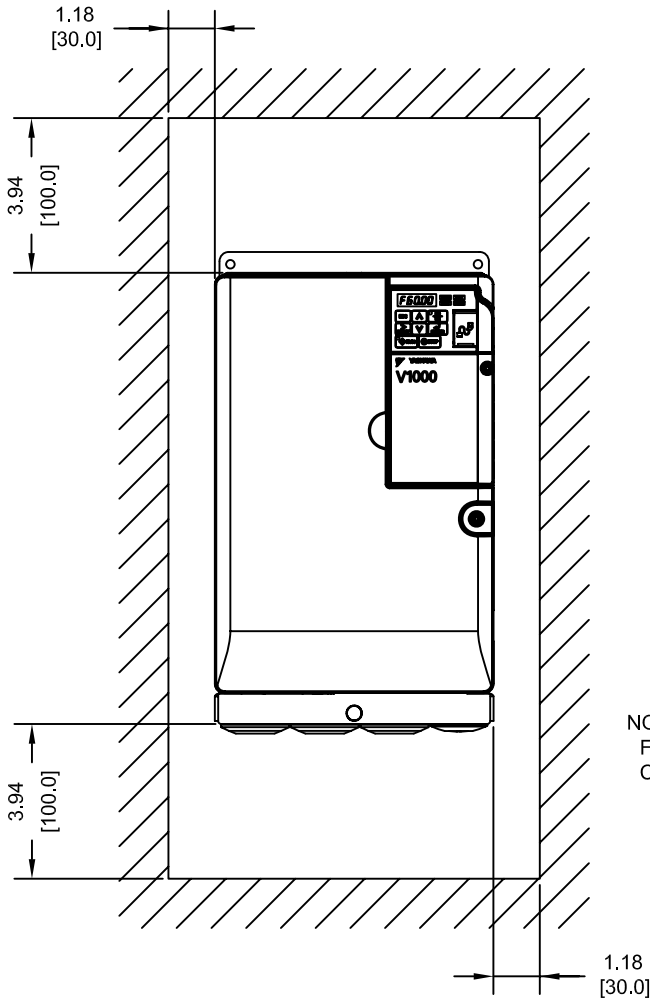
| MODEL # CIMR-VU | TERMINAL SYMBOL | TERMINAL SCREW | CLAMPING TORQUE lb.in.(N.m.) | WIRE RANGE AWG(mm ²) |
|--------------------|--|-------------------|---------------------------------|-------------------------------------|
| 4A0031F | R/L1, S/L2, T/L3, ⊕, ⊕1, ⊕2, U/T1, V/T2, W/T3, B1, B2 | M5 | 17.7 TO 22.1 (2.0 TO 2.5) | 10-6 (5.5-14) |
| | ⊕ | M6 | 35.4 TO 53.1 (4 TO 6) | 10-6 (5.5-14) |

NOTE: RATINGS APPLY TO BOTH FACTORY AND FIELD WIRING
REFER TO APPLICABLE CODES FOR PROPER WIRE TYPE AND SIZE

FOR ADDITIONAL DETAILS AND SPECIFICATIONS, CONSULT MANUAL

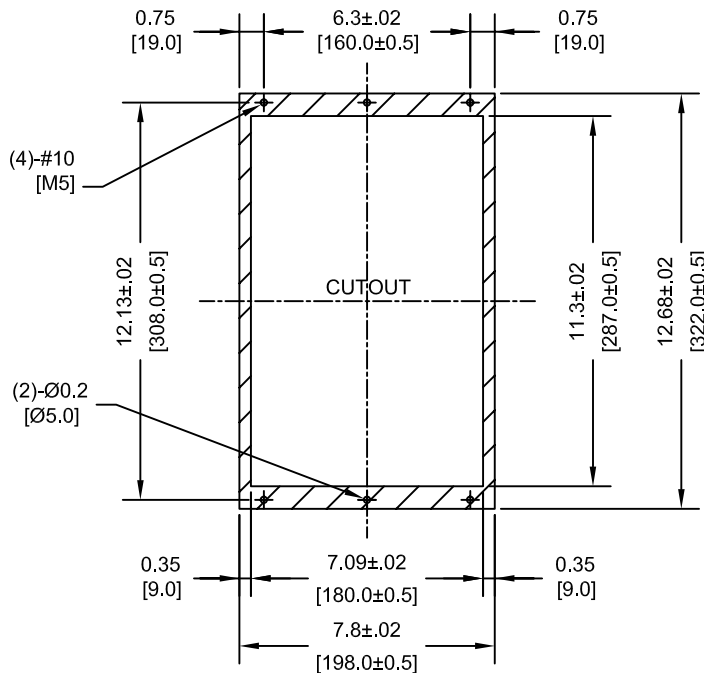
| | | | | |
|--------------------------|--|--|--|--|
| TOLERANCES / REFERENCES: | | <p>YASKAWA The Drive for Quality™</p> | DRAWN: J. MATTAS DATE: 2-5-08 | TITLE: V1000 DIMENSION DRAWING FRAME SIZE 15 NEMA TYPE 1 ENCLOSURE 4A0031F |
| UNITS: IN[mm] | | | CHECKED: M. RUCINSKI DATE: 5-7-08 | TECH: J. CAIRO DATE: 3-27-08 |
| SCALE: BY VIEW | | THIS DOCUMENT AND INFORMATION CONTAINED IN IT ARE CONFIDENTIAL, AND CANNOT BE COPIED OR DISCLOSED IN WHOLE OR IN PART WITHOUT THE EXPRESS WRITTEN CONSENT OF YASKAWA ELECTRIC AMERICA INC. | | REVISION R00 |
| | | APPROVED: T. SASADA DATE: 5-27-08 | ORIGINAL DESIGN: - | PAGE 2 of 3 |
| | | DRAWING #: DD.V1K.FR15.N1 | | |

MINIMUM INSTALLATION CLEARANCES (SCALE 1:5)



NOTE:
FOR SIDE-BY-SIDE MOUNTING
CONSULT MANUAL

PANEL CUTOUT FOR EXTERNAL HEATSINK
MOUNTING CONFIGURATION (SCALE 1:6)



NOTES:
1. EXTERNAL HEATSINK
CONFIGURATION REQUIRES
MOUNTING KIT
2. EXPOSED HEATSINK
RECOMMENDED CLEARANCE
D=2.36" MINUS PANEL THICKNESS

| | | | | |
|--------------------------|-------------------|--|--|--|
| TOLERANCES / REFERENCES: | | <p>YASKAWA The Drive for Quality™</p> <p>THIS DOCUMENT AND INFORMATION CONTAINED IN IT ARE CONFIDENTIAL, AND CANNOT BE COPIED OR DISCLOSED IN WHOLE OR IN PART WITHOUT THE EXPRESS WRITTEN CONSENT OF YASKAWA ELECTRIC AMERICA INC.</p> | DRAWN: J. MATTAS DATE: 2-5-08 | TITLE: V1000 DIMENSION DRAWING FRAME SIZE 15 NEMA TYPE 1 ENCLOSURE 4A0031F |
| | | | CHECKED: M. RUCINSKI DATE: 5-7-08 | REVISION R00 |
| | | | TECH: J. CAIRO DATE: 3-27-08 | PAGE 3 of 3 |
| | | | APPROVED: T. SASADA DATE: 5-27-08 | DRAWING #: DD.V1K.FR15.N1 |
| UNITS: IN[mm] | SCALE: BY VIEW | ORIGINAL DESIGN: | DATE: | |