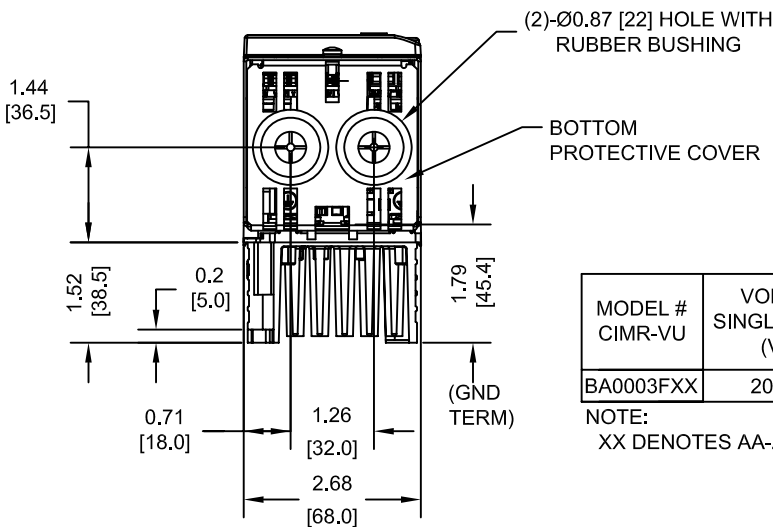
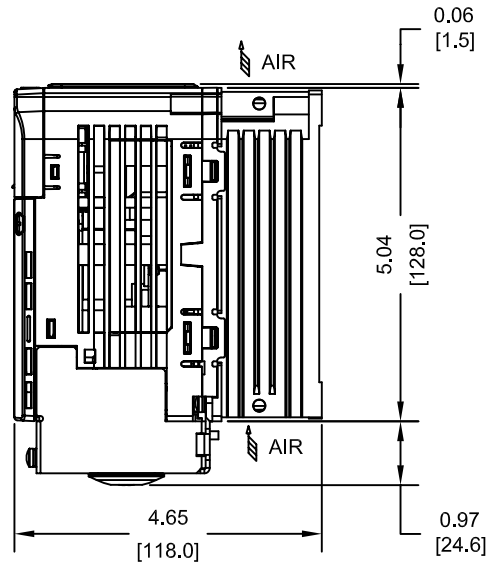
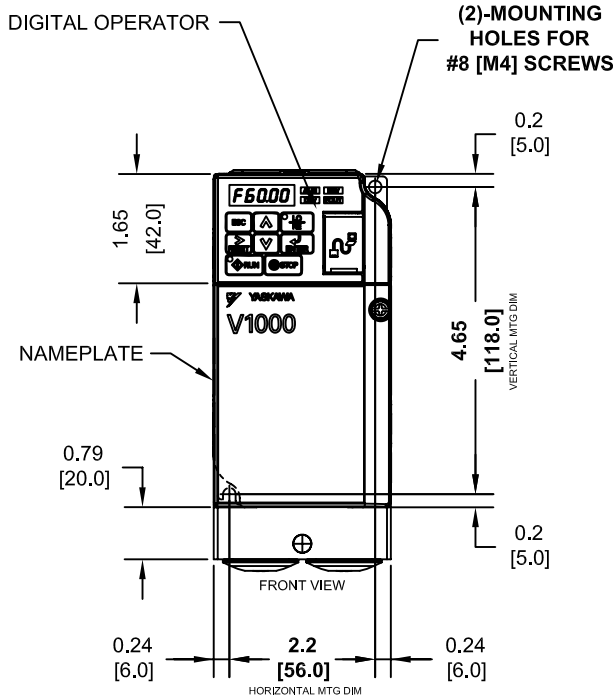
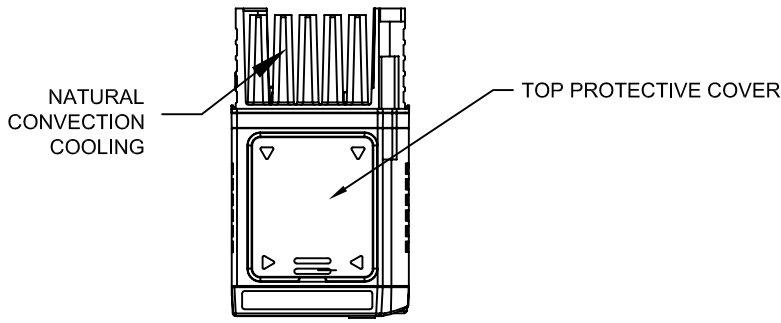


NOTE:
 PROTECTIVE COVERS ARE FACTORY INSTALLED TO THE TOP AND BOTTOM OF THE DRIVE TO MEET IP20 & NEMA TYPE 1 REQUIREMENTS, RESULTING IN AN AMBIENT TEMPERATURE RATING OF 104F(40C). REMOVE THESE COVERS WHEN OPERATING THE DRIVE WITHIN A PANEL TO OBTAIN THE MAXIMUM SURROUNDING AIR TEMPERATURE RATING OF 122F(50C). REMOVING THESE COVERS RESULTS IN AN ENCLOSURE RATING OF IP00.



MODEL # CIMR-VU	VOLTAGE SINGLE PHASE (VAC)	OUTPUT CURRENT (A)		WEIGHT LBS (Kg)	HEAT LOSS (W)					
		ND	HD		ND (Fc=2kHz)			HD (Fc=8kHz)		
					INT	EXT	TOT	INT	EXT	TOT
BA0003FXX	208/240	3.2	3.0	2.6 (1.2)	14.4	14.6	29.0	11.5	16.1	27.6

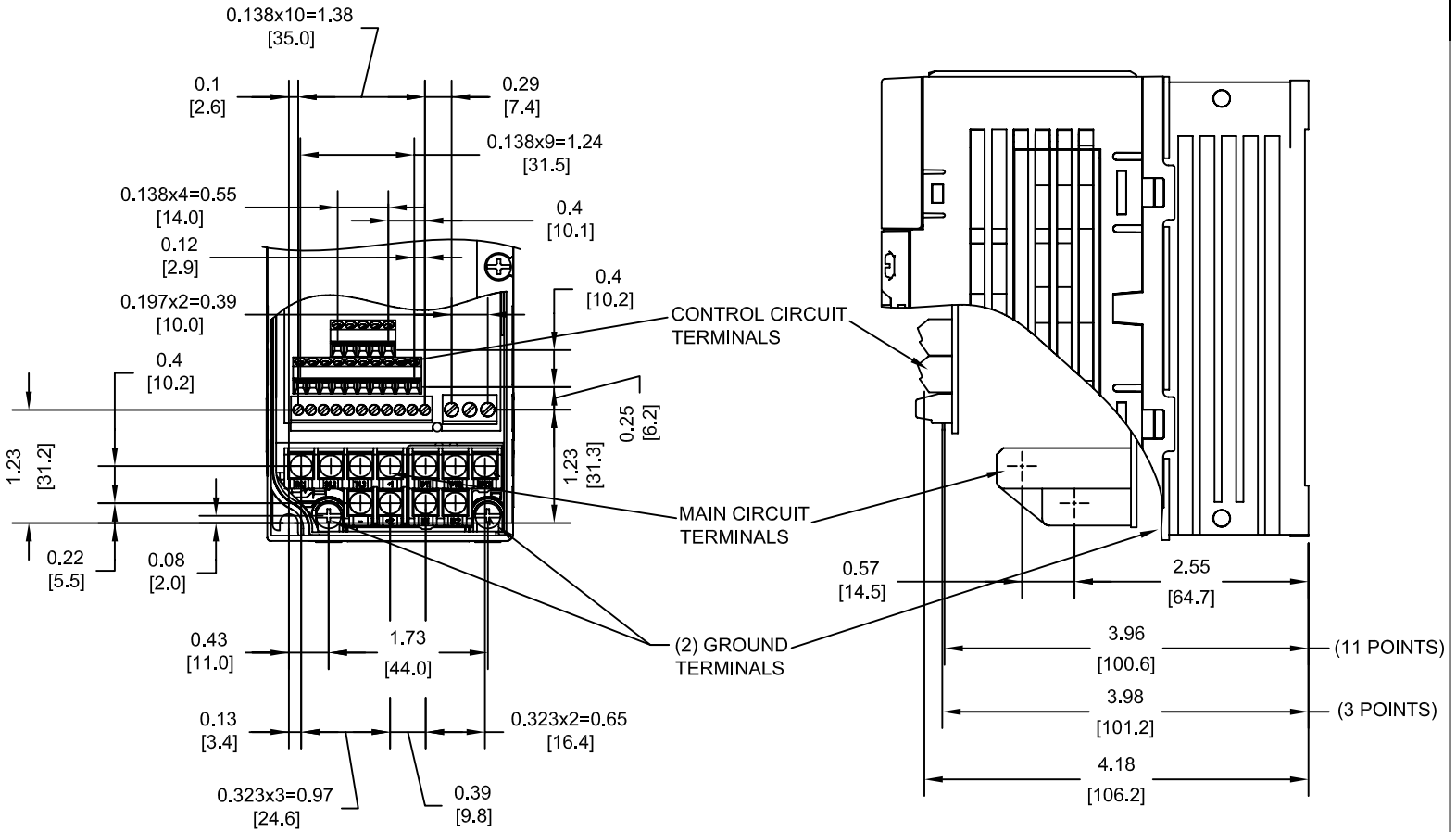
NOTE:
 XX DENOTES AA-ZZ

INT=INTERNAL COMPONENTS
 EXT=EXTERNAL HEATSINK
 TOT=TOTAL

FOR ADDITIONAL DETAILS AND SPECIFICATIONS, CONSULT MANUAL

TOLERANCES / REFERENCES:	<p>YASKAWA The Drive for Quality™</p> <p><i>THIS DOCUMENT AND INFORMATION CONTAINED IN IT ARE CONFIDENTIAL, AND CANNOT BE COPIED OR DISCLOSED IN WHOLE OR IN PART WITHOUT THE EXPRESS WRITTEN CONSENT OF YASKAWA ELECTRIC AMERICA INC.</i></p>		DRAWN: J. MATTAS	DATE 12-6-07	TITLE: V1000 DIMENSION DRAWING	
			CHECKED: M. RUCINSKI	DATE 5-7-08	FRAME SIZE 3	
			TECH: J. CAIRO	DATE 2-12-08	NEMA TYPE 1 ENCLOSURE	
			APPROVED: T. SASADA	DATE 5-27-08	BA0003F	
UNITS: IN[mm]	SCALE: 1:3	ORIGINAL DESIGN: -	DATE -	SIZE A	REVISION R00	PAGE 1 of 3
			DRAWING #: DD.V1K.FR3.N1			

TERMINAL AND WIRING DETAILS (SCALE 1:2)



TERMINAL AND WIRE SPECIFICATIONS FOR
MAIN CIRCUIT AND GROUND

MODEL #	TERMINAL	CLAMPING TORQUE	WIRE RANGE
CIMR-VU	SCREW	lb.in.(N.m.)	AWG(mm ²)
BA0003F	M3.5	7.1 TO 8.9 (0.8 TO 1.0)	22-14 (0.33-2.0)

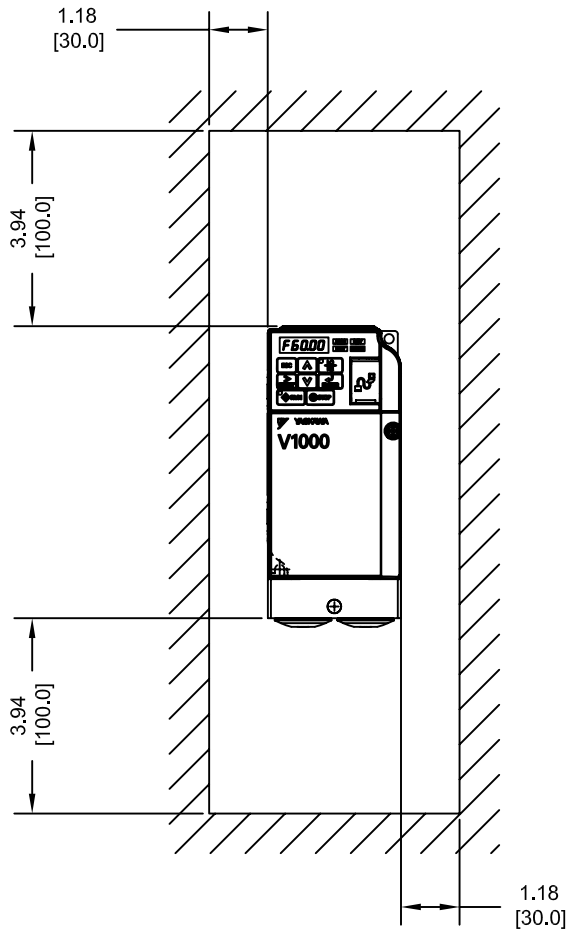
NOTE: RATINGS APPLY TO BOTH FACTORY AND FIELD WIRING
REFER TO APPLICABLE CODES FOR PROPER WIRE TYPE AND SIZE

FOR ADDITIONAL DETAILS AND SPECIFICATIONS, CONSULT MANUAL

TOLERANCES / REFERENCES:		DRAWN:	J. MATTAS	DATE:	12-6-07	TITLE: V1000 DIMENSION DRAWING FRAME SIZE 3 NEMA TYPE 1 ENCLOSURE BA0003F		
		CHECKED:	M. RUCINSKI	DATE:	5-7-08			
		TECH:	J. CAIRO	DATE:	2-12-08			
		APPROVED:	T. SASADA	DATE:	5-27-08			
UNITS:	IN[mm]	SCALE:	BY VIEW	ORIGINAL DESIGN:	-	DATE:	-	SIZE: A REVISION: R00 PAGE: 2 of 3
DRAWING #: DD.V1K.FR3.N1								

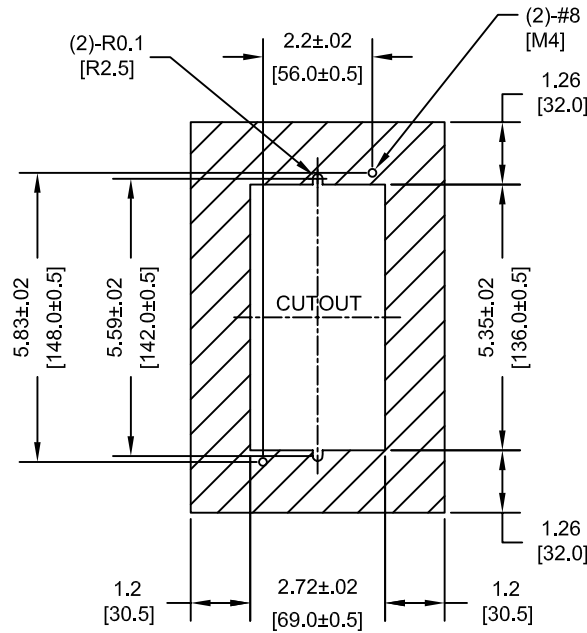
THIS DOCUMENT AND INFORMATION CONTAINED
IN IT ARE CONFIDENTIAL, AND CANNOT BE
COPIED OR DISCLOSED IN WHOLE OR IN PART
WITHOUT THE EXPRESS WRITTEN CONSENT
OF YASKAWA ELECTRIC AMERICA INC.

MINIMUM INSTALLATION CLEARANCES (SCALE 1:4)



NOTE:
FOR SIDE-BY-SIDE MOUNTING
CONSULT MANUAL

PANEL CUTOUT FOR EXTERNAL HEATSINK
MOUNTING CONFIGURATION (SCALE 1:4)



NOTES:
1. EXTERNAL HEATSINK
CONFIGURATION REQUIRES
MOUNTING KIT
2. EXPOSED HEATSINK
RECOMMENDED CLEARANCE
D=1.97" MINUS PANEL THICKNESS

TOLERANCES / REFERENCES:		<p>YASKAWA The Drive for Quality™</p>	DRAWN: J. MATTAS	DATE 12-6-07	TITLE: V1000 DIMENSION DRAWING
<p><i>THIS DOCUMENT AND INFORMATION CONTAINED IN IT ARE CONFIDENTIAL, AND CANNOT BE COPIED OR DISCLOSED IN WHOLE OR IN PART WITHOUT THE EXPRESS WRITTEN CONSENT OF YASKAWA ELECTRIC AMERICA INC.</i></p>			CHECKED: M. RUCINSKI	DATE 5-7-08	FRAME SIZE 3 NEMA TYPE 1 ENCLOSURE BA0003F
UNITS: IN[mm]	SCALE: BY VIEW	TECH: J. CAIRO	DATE 2-12-08	SIZE A	REVISION R00
		APPROVED: T. SASADA	DATE 5-27-08		PAGE 3 of 3
		ORIGINAL DESIGN: -	DATE -	DRAWING #: DD.V1K.FR3.N1	