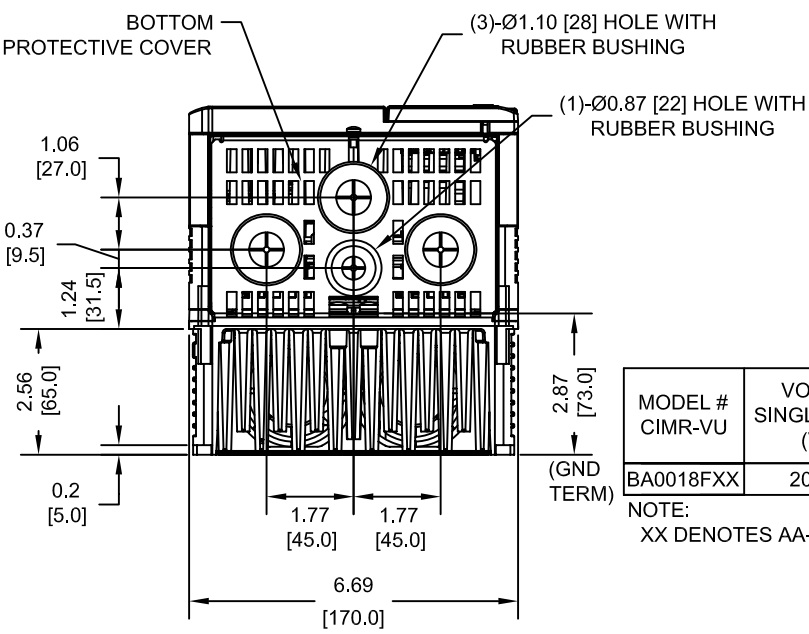
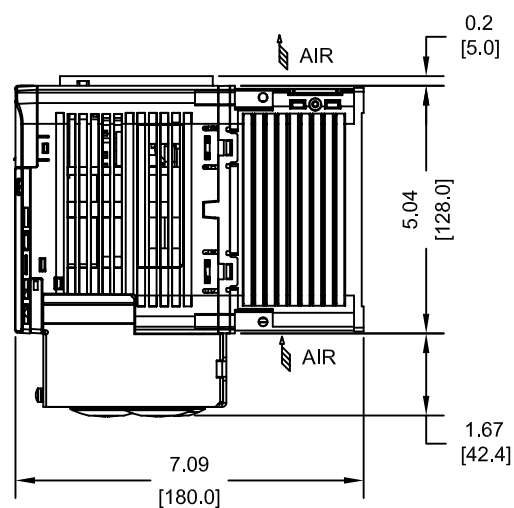
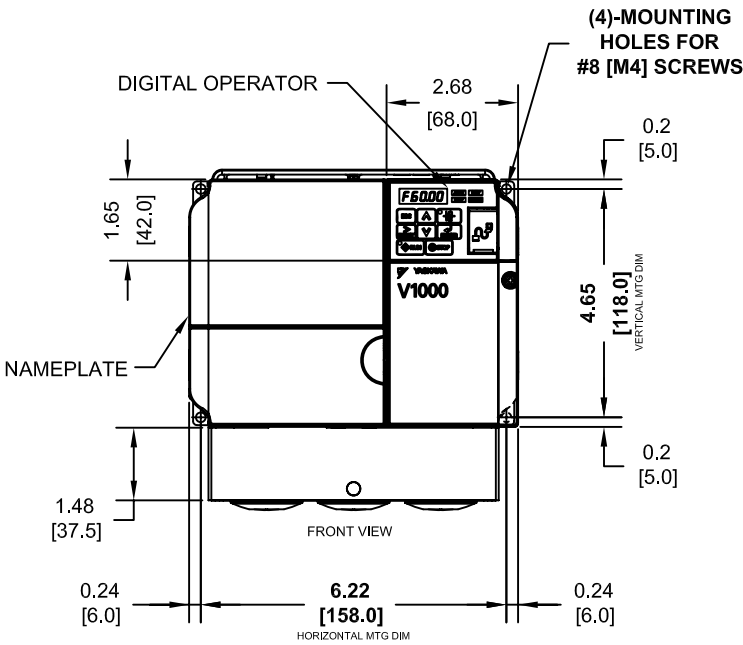


NOTE:
PROTECTIVE COVERS ARE FACTORY INSTALLED TO THE TOP AND BOTTOM OF THE DRIVE TO MEET IP20 & NEMA TYPE 1 REQUIREMENTS, RESULTING IN AN AMBIENT TEMPERATURE RATING OF 104F(40C). REMOVE THESE COVERS WHEN OPERATING THE DRIVE WITHIN A PANEL TO OBTAIN THE MAXIMUM SURROUNDING AIR TEMPERATURE RATING OF 122F(50C). REMOVING THESE COVERS RESULTS IN AN ENCLOSURE RATING OF IP00.



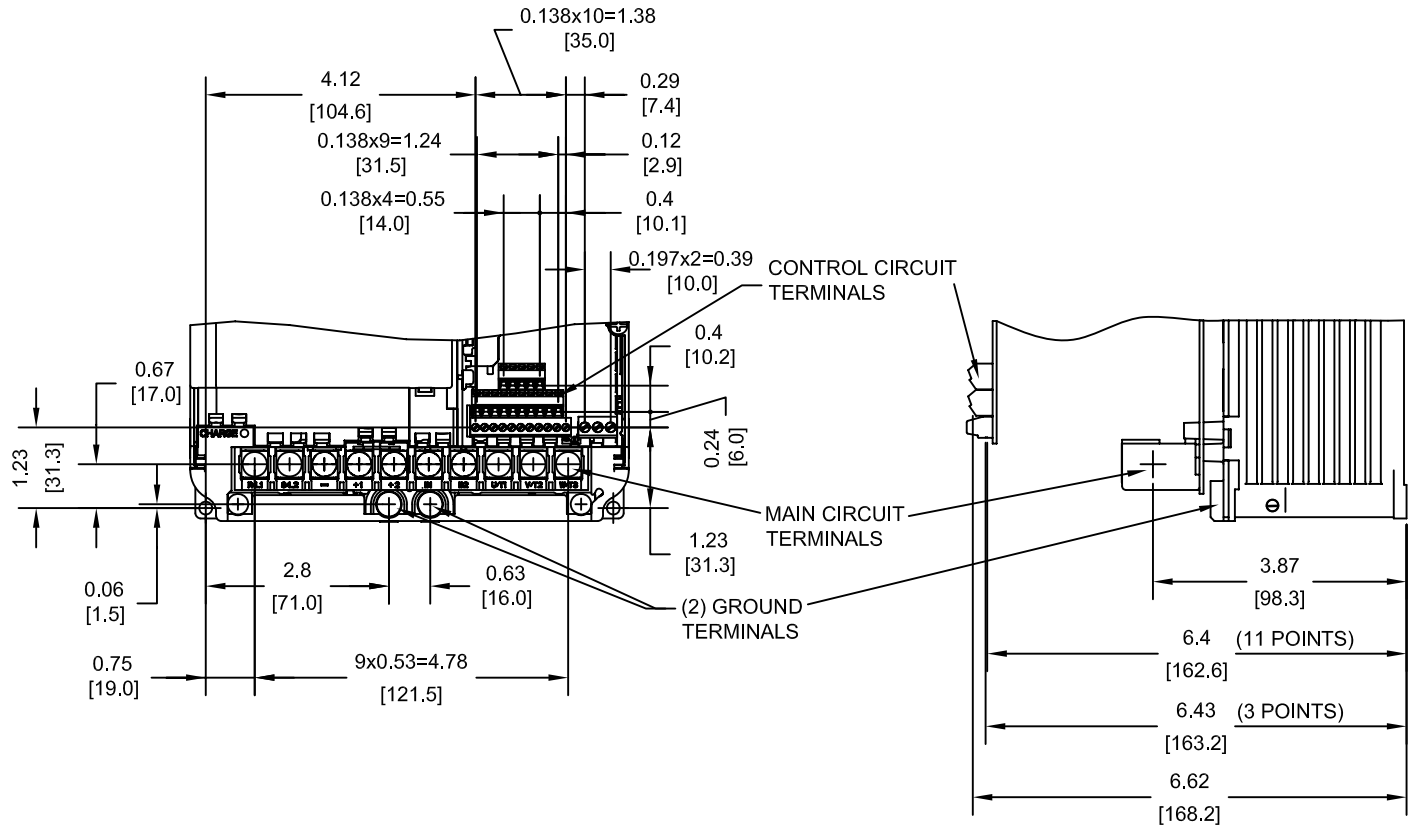
MODEL # CIMR-VU	VOLTAGE SINGLE PHASE (VAC)	OUTPUT CURRENT (A)		WEIGHT LBS (Kg)	HEAT LOSS (W)					
		ND	HD		ND (Fc=2kHz)			HD (Fc=8kHz)		
					INT	EXT	TOT	INT	EXT	TOT
BA0018FXX	208/240	-	17.5	7.3 (3.3)	-	-	-	51.4	110.5	161.9

NOTE:
XX DENOTES AA-ZZ
INT=INTERNAL COMPONENTS
EXT=EXTERNAL HEATSINK
TOT=TOTAL

FOR ADDITIONAL DETAILS AND SPECIFICATIONS, CONSULT MANUAL

TOLERANCES / REFERENCES:		<p>THIS DOCUMENT AND INFORMATION CONTAINED IN IT ARE CONFIDENTIAL, AND CANNOT BE COPIED OR DISCLOSED IN WHOLE OR IN PART WITHOUT THE EXPRESS WRITTEN CONSENT OF YASKAWA ELECTRIC AMERICA INC.</p>	DRAWN: J. MATTAS CHECKED: M. RUCINSKI TECH: J. CAIRO APPROVED: T. SASADA ORIGINAL DESIGN: -	DATE: 3-17-08 DATE: 5-7-08 DATE: 3-25-08 DATE: 5-27-08 DATE: -	TITLE: V1000 DIMENSION DRAWING FRAME SIZE 13 NEMA TYPE 1 ENCLOSURE BA0018F
UNITS: IN[mm]	SCALE: 1:4		SIZE A	REVISION R00	PAGE 1 of 3
			DRAWING #: DD.V1K.FR13.N1		

TERMINAL AND WIRING DETAILS (SCALE 1:3)



TERMINAL AND WIRE SPECIFICATIONS FOR
MAIN CIRCUIT AND GROUND

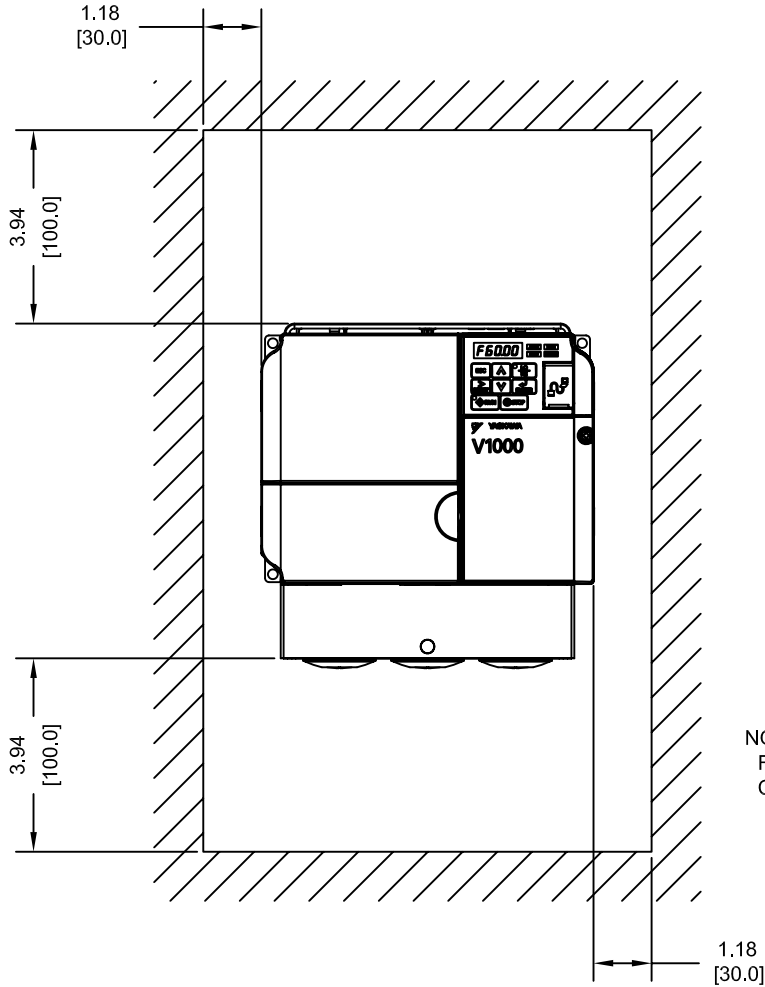
MODEL #	TERMINAL SCREW	CLAMPING TORQUE lb.in.(N.m.)	WIRE RANGE AWG(mm ²)
BA0018F	M5	22.1 (2.5)	12-8 (3.5-8)

NOTE: RATINGS APPLY TO BOTH FACTORY AND FIELD WIRING
REFER TO APPLICABLE CODES FOR PROPER WIRE TYPE AND SIZE

FOR ADDITIONAL DETAILS AND SPECIFICATIONS, CONSULT MANUAL

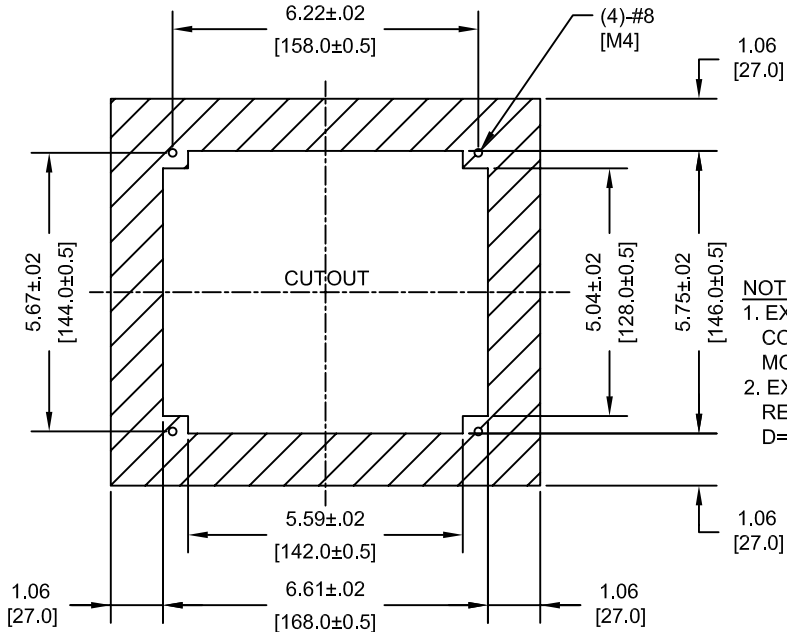
TOLERANCES / REFERENCES:		<p>THIS DOCUMENT AND INFORMATION CONTAINED IN IT ARE CONFIDENTIAL, AND CANNOT BE COPIED OR DISCLOSED IN WHOLE OR IN PART WITHOUT THE EXPRESS WRITTEN CONSENT OF YASKAWA ELECTRIC AMERICA INC.</p>	DRAWN: J. MATTAS CHECKED: M. RUCINSKI TECH: J. CAIRO APPROVED: T. SASADA ORIGINAL DESIGN: -	DATE 3-17-08 DATE 5-7-08 DATE 3-25-08 DATE 5-27-08 DATE -	TITLE: V1000 DIMENSION DRAWING FRAME SIZE 13 NEMA TYPE 1 ENCLOSURE BA0018F
UNITS: IN[mm]	SCALE: BY VIEW		SIZE A	REVISION R00	PAGE 2 of 3
			DRAWING #: DD.V1K.FR13.N1		

MINIMUM INSTALLATION CLEARANCES (SCALE 1:4)



NOTE:
FOR SIDE-BY-SIDE MOUNTING
CONSULT MANUAL

PANEL CUTOUT FOR EXTERNAL HEATSINK
MOUNTING CONFIGURATION (SCALE 1:4)



NOTES:
1. EXTERNAL HEATSINK
CONFIGURATION REQUIRES
MOUNTING KIT
2. EXPOSED HEATSINK
RECOMMENDED CLEARANCE
D=2.76" MINUS PANEL THICKNESS

TOLERANCES / REFERENCES:



THIS DOCUMENT AND INFORMATION CONTAINED
IN IT ARE CONFIDENTIAL, AND CANNOT BE
COPIED OR DISCLOSED IN WHOLE OR IN PART
WITHOUT THE EXPRESS WRITTEN CONSENT
OF YASKAWA ELECTRIC AMERICA INC.

DRAWN:
J. MATTAS

CHECKED:
M. RUCINSKI

TECH:
J. CAIRO

APPROVED:
T. SASADA

ORIGINAL DESIGN:
-

DATE

DATE

DATE

DATE

DATE

DATE

TITLE:
V1000 DIMENSION DRAWING
FRAME SIZE 13
NEMA TYPE 1 ENCLOSURE
BA0018F

SIZE A	REVISION R00	PAGE 3 of 3
-----------	-----------------	----------------

DRAWING #:
DD.V1K.FR13.N1

UNITS: IN[mm]
SCALE: BY VIEW